

BT8380-JPR

SYSTEM X™ COLUMN MOUNTING PLATE FOR REVERSED BT8390 RAILS

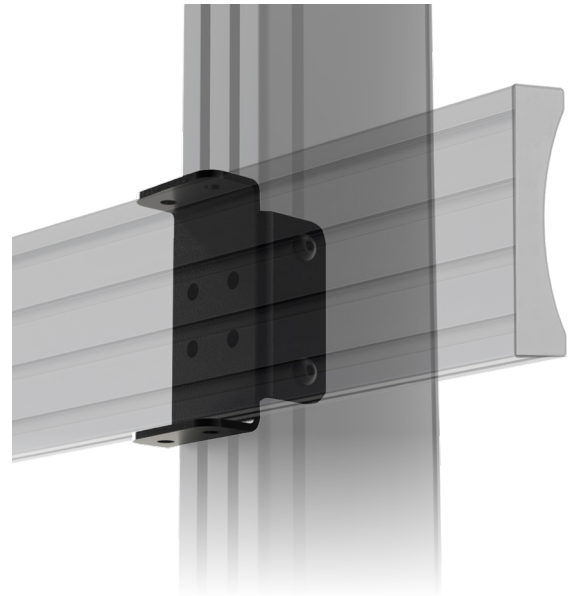
Designed to fit BT8390 rails to BT8380 columns, the BT8380-JPR is a joining plate that allows a rail to be reversed mounted onto a column, ideal for when installation of additional AV accessories require the use of the channels on the rail. Installation is simple using the provided sliding nuts, allowing the mounted rail to be positioned anywhere on the column. The BT8380-JPR can also mount a BT8390 rail in a standard front facing position or can be reversed, depending on the type of install.

SPECIFICATIONS

Steel thickness	4mm
Brackets supplied per pack	1
Colour	Black

FEATURES

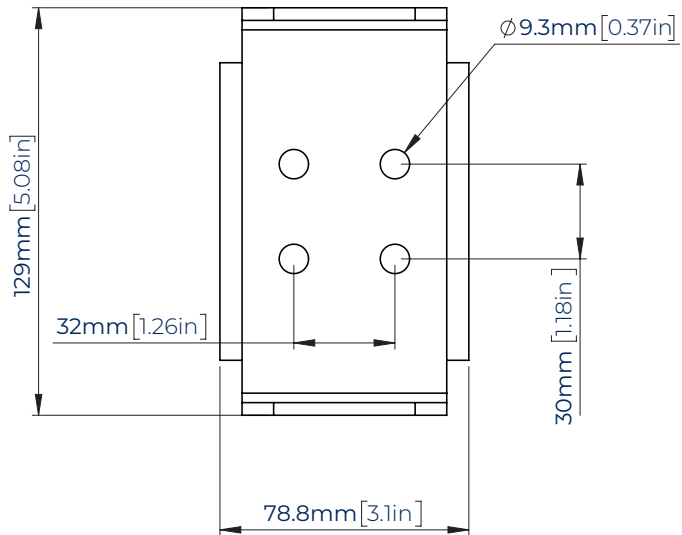
- 1 Used for a variety of fixed, freestanding or mobile installations
 - 2 Sliding nuts allow rails and columns to be positioned as required
 - 3 Also suitable for mounting BT8392 rails
 - 4 BT8390 rail can be fixed in a standard or reversed position
- Connects BT8390 mounting rails to BT8380 vertical columns
 - Can be placed at any height on the column, and anywhere along the rail



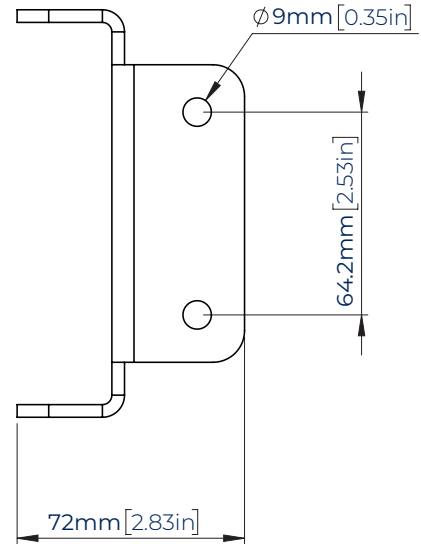
SYSTEM X™



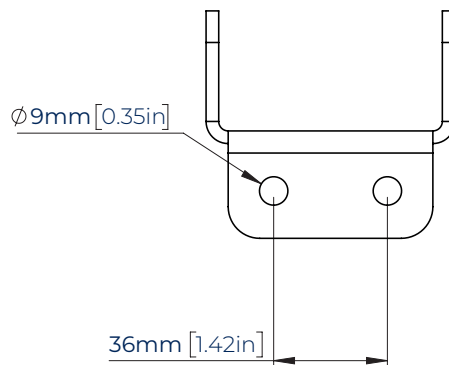
BT8380-JPR



FRONT VIEW



SIDE VIEW



TOP VIEW

ORDERING INFORMATION

COLOUR	ORDER REF	EAN
Black	BT8380-JPR/B	5019318308963

RELATED PRODUCTS

PRODUCT CODE	NAME	DESCRIPTION
BT8380	System X Vertical Column	Provides a platform for freestanding, mobile or bolt-down solutions
BT8390	System X Mounting Rail	Mounting rails in multiple lengths designed to support a variety of interface arms
BT8380-JPT	Tilting Joining Plate	Connects System X BT8390 mounting rails to BT8380 vertical columns
BT8380-JPK	Joining Plate	Connects System X BT8390 mounting rails to BT8380 vertical columns

© 2018 B-Tech AV Mounts Co. Ltd. All rights reserved.
 The information in this specification sheet reflects the current technical specifications at the time of printing.
 We reserve the right to change the technical or physical specifications without prior notice. The B-Tech name and the B-Tech logo are registered trademarks of B-Tech AV Mounts Co. Ltd.
 B-Tech is not liable for loss or damage caused by improper installation or mounting on unstable structures. Any reproduction or use without permission or registration of any part of this
 specification sheet is strictly prohibited unless prior written permission is granted by B-Tech AV Mounts Co. Ltd. 180611

SS-BT8380-JPR-290424