



AVAILABLE
 IN MULTIPLE
 CONFIGURATIONS

BT8375

BOLT DOWN CURVED VIDEOWALL STAND



SHOWN IN A 4X2
 CONFIGURATION

Designed to create curved videowalls, the BT8375 is a bolt down mounting solution with a universal design suitable for all videowall screens from 39" to 70". As part of B-Tech's dynamic System X range, this contemporary mounting solution is lightweight yet incredibly strong, has a high-end aesthetic quality and comes with important time saving features such as integrated angle guides, tool-less micro-adjustment and a universal screen position spacer to speed up the installation process.

SPECIFICATION

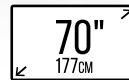
For screen sizes	39" - 70"
Max load	50kg per screen
Angle adjustment range	+/- 45°
VESA® & non-VESA fixings	up to 900mm
Base Thickness	6mm
Colour options	Black or Silver

FEATURES

- Configurable mounting solution available to order to your requirements, from stock - see configurator info
- Universal design suitable for all videowall screens
- High-end aesthetic quality
- Easy to use angle adjustment
- Integrated angle guides eliminate the need to measure required angles
- Integrated rail mounting guides ensure the join position is consistent throughout the installation without the need to measure
- Tool-less micro-adjustments for seamless screen alignment
- Also available with pop-out interface arms
- Discreet, small footprint base
- Integrated cable management
- Universal screen position spacer to speed up the installation process
- Safety screws help prevent unauthorised removal of screens
- Simple installation with all mounting hardware included



SYSTEM X



PER SCREEN



Angle up to +/-45° to create a concave or convex curved videowall



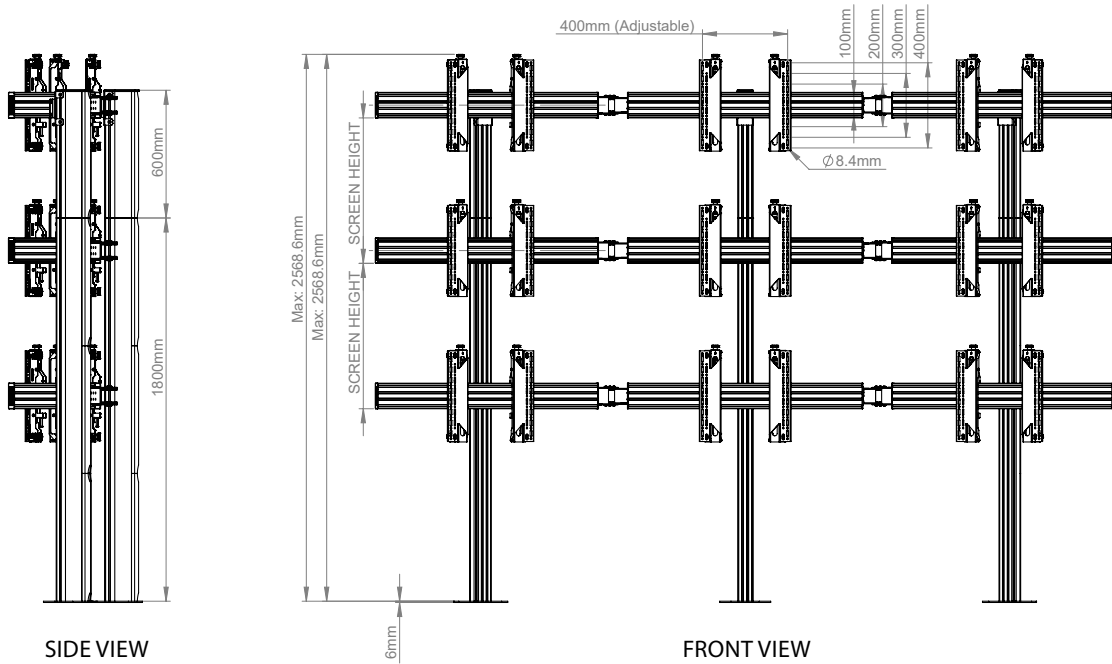
Tool-less micro-adjustment for seamless screen alignment



BT8390-VESA400MAP pop-out arms for full service access

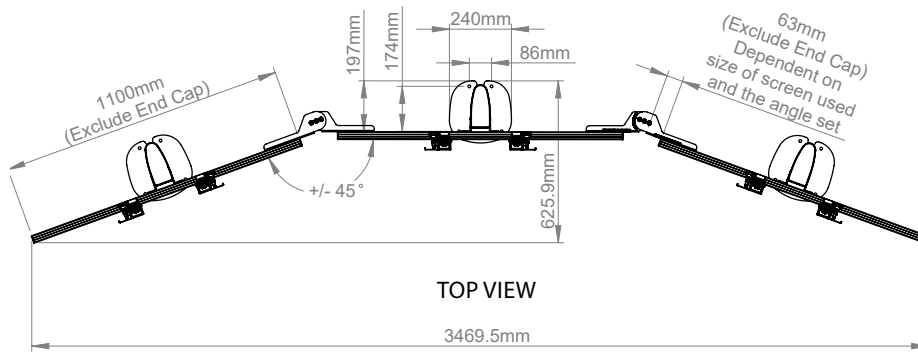


Integrated cable management covers hide untidy cables and add to the stylish finish



SIDE VIEW

FRONT VIEW



TOP VIEW

PACKING INFORMATION

PLEASE NOTE, THIS IS A **MULTI-BOX** ITEM

COLOUR:	ORDER REF:	EAN CODE:
Black / Black	BT8375/BB	5019318301483
Black / Silver	BT8375/BS	5019318301490

ORIGINAL DESIGNS BY B-TECH AV MOUNTS - REGISTERED DESIGNS & PATENTS APPLY

ACCESSORIES AND RELATED PRODUCTS



BT8373
Universal Freestanding Curved Video Wall Stand shown as a 2x4 Video Wall



BT8374
Universal Mobile Curved Videowall Stand shown as a 2x4 Video Wall



BT8376
Universal Freestanding Curved Videowall Mount shown in 2x4 configuration



BT7032 / BT7033 / BT7863
AV Accessory Shelves can be attached directly to a vertical column

© 2016 B-Tech Av Mounts. All rights reserved. The information in this specification is for reference only. B-Tech Av Mounts and its technologies are registered trademarks of B-Tech Av Mounts. All other trademarks are the property of their respective owners. B-Tech Av Mounts is not responsible for any damage caused by improper or unauthorized use of its products. Any reproduction or transmission of any part of this specification is strictly prohibited unless prior written permission has been granted by B-Tech Av Mounts. SS-V1.1-BT8375-210819