



# BT8371

SYSTEM X™

## UNIVERSAL MOBILE VIDEOWALL STAND INSTALLATION GUIDE & PARTS LIST

This Pack Contains 1 Stand

PLEASE KEEP THIS FOR FUTURE REFERENCE



### FEATURES

- Universal stand suitable for video wall screens from 32" - 70" (81cm - 177cm)
- Max weight per screen: 50kg (110lbs)
- Designed for screens with VESA® & non-VESA mounting patterns
- Suitable for landscape or portrait screen mounting
- Includes non-marking 4" locking/braked castors and alternative levelling feet
- Collar compatible accessories such as shelves can be fitted directly to the extrusion
- Integrated cable management
- All mounting hardware included

This assembly manual covers different installations. Please note that some parts or procedures shown may not be required for installation.



Per Screen

### CONTENTS

Installation Safety Notes.....	2
Parts List.....	6
Installation Instructions.....	8
Optional Accessories.....	23
B-Tech Contact Details.....	24

### INSTALLATION TOOLS REQUIRED

Crosshead screwdriver



10mm Spanner



Level



Knife



**B-TECH AV MOUNTS**

[www.btechavmounts.com](http://www.btechavmounts.com)

# INSTALLATION SAFETY INSTRUCTIONS



**CAUTION:** This stand / trolley is intended for use only with the maximum weights indicated. Use with flat screens heavier than the maximum indicated may result in instability causing possible injury.

Do not attempt to install this product until all instructions and warnings have been read and properly understood. Please keep these instructions for future reference. Please check carefully to make sure there are no missing or defective parts - defective parts must never be used. B-Tech International Design & Manufacturing Ltd, its distributors and dealers are not liable or responsible for damage or injury caused by improper installation, improper use or failure to observe these safety instructions. In such cases, all guarantees will expire.

## General

Great care must always be taken during installation as most AV equipment is of a fragile nature, possibly heavy and easily damaged if dropped. If you do not fully understand the instructions or are not sure how to install this product safely, then please consult a professional for advice and/or to install this product for you. Failure to mount this product correctly may cause serious injury or death both during installation and at any time thereafter. Do not mount any AV equipment that exceeds the specific weight limit of the product you are installing. This weight limit will be clearly stated on each product and its packaging and will vary from product to product.

## Product location

Please pay careful attention to where this product is located, some locations are not suitable for installation. For indoor use only. Install stand on level ground. When verifying the stability of the structure, consider the following external factors: The strength of the floor, exposure to sudden and severe wind and danger arising from contact with people and / or objects (eg installations in passageways, emergency exits), if located in a public or frequently populated area ensure that the product is out of the immediate reach of people.

## Fixing hardware

It is highly recommended that all fixing screws be used where supplied and that the purpose of all other fixing hardware is fully understood. In some cases more AV equipment fixing hardware will be supplied to accommodate different models of equipment and set up configurations. The installer must be satisfied that any supplied fixing hardware is suitable for each specific installation. If any fixing screws or included hardware are deemed not sufficient for a safe installation then please consult a professional or your local hardware store.

## Hazard limitation

When routing cables take advantage of any built in cable management features that the product might provide and ensure that all cables are tidy and secure. Check to see that any moving aspect of the product can do so unhindered by any cabling. Some products have moving parts and the potential to cause injury through the crushing or trapping of fingers or other body parts. Particular attention to the nature of moving parts is required especially when assembling installing and adjusting during set up. Immediately after installations double-check that the work done is safe and secure. Double-check all necessary fixings are present and are of ample tightness. It is recommended that periodic inspections of the product and its fixing points are made as frequently as possible to ensure that safety is maintained. If in doubt consult a professional AV installer or other suitably qualified person.

CS

Společnost B-Tech International Design And Manufacturing Ltd. doporučuje provést instalaci tohoto produktu instalátora AV či jinak způsobilé osoby. Společnost B-Tech International Design And Manufacturing Ltd, její distributoři a prodejci nenesou prostřednictvím odborného odpov ědnost za škody nebo zranění způsobená nevhodnou instalací. Tento výrobek je nutno umístit do vhodné konstrukce a používat jen po uvedené maximální výšce.

DE

B-Tech International Design And Manufacturing Ltd. empfiehlt, dass dieses Produkt durch einen qualifizierten AV-Techniker oder eine andere Person mit geeigneter Qualifikation installiert wird. B-Tech International Design And Manufacturing Ltd, ihre Distributoren und Händler können nicht für durch fehlerhafte Montage verursachte Beschädigung oder Verletzung haftbar bzw. verantwortlich gemacht werden. Dieses Produkt muss auf eine geeigneten Untergrund montiert werden und darf nur bis zum angegebenen Höchstgewicht verwendet werden.

ES

B-Tech International Design And Manufacturing Ltd. recomienda que un instalador de audio y video profesional u otra persona debidamente cualificada instalen este producto. B-Tech International Design And Manufacturing Ltd, sus distribuidores y concesionarios no se hacen cargo ni se responsabilizan de ningún daño o lesión provocados por una instalación inapropiada. Este producto se debe montar en una estructura adecuada y se debe utilizar soportando solamente hasta el peso máximo indicado.

FR

B-Tech International Design And Manufacturing Ltd. recommande de confier l'installation de ce produit à un installateur AV professionnel ou à une autre personne dûment qualifiée. B-Tech International Design And Manufacturing Ltd, ses distributeurs et ses revendeurs ne sauraient être tenus responsables de tout dégât ou de toute blessure résultant d'une installation incorrecte. Ce produit doit être monté sur un support approprié et utilisé dans la limite du poids maximum indiqué.

IT

B-Tech International Design And Manufacturing Ltd. consiglia di affidare l'installazione di questo prodotto a un installatore specializzato o ad altra persona adeguatamente qualificata. B-Tech International Design And Manufacturing Ltd. i suoi distributori e rivenditori non accettano alcuna responsabilità nei riguardi di eventuali danni o infortuni causati da un'errata installazione. Questo prodotto deve essere fissato a una struttura idonea e utilizzato unicamente sino al peso massimo indicato.

NL

B-Tech International Design And Manufacturing Ltd. adviseert om dit product te laten installeren door een professionele AV-instalateur of andere hiervoor gekwalificeerde persoon. B-Tech International Design And Manufacturing Ltd, haar distributeurs en dealers zijn niet aansprakelijk of verantwoordelijk voor schade of letsel die is veroorzaakt door onoordeelkundige installatie. Dit product moet worden gemonteerd aan een geschikte constructie, waarbij het aangegeven maximum gewicht niet mag worden overschreden.

PL

Firma B-Tech International Design And Manufacturing Ltd. zaleca, aby ten produkt był instalowany przez profesjonalnych instalatorów AV lub inny odpowiednio przeszkolony personel. Firma B-Tech International Design And Manufacturing Ltd, jej dystrybutorzy i dealerzy nie ponoszą odpowiedzialności za uszkodzenia lub obrażenia ciała powstałe w wyniku nieprawidłowej instalacji. Niniejszy produkt musi być zamontowany na odpowiedniej powierzchni, a podczas u żytkowania nie wolno przekraczać podanego maksymalnego obciążenia.

PT

A B-Tech International Design And Manufacturing Ltd. recomenda que a instalação deste produto seja efectuada por um instalador de AV instalador de AV profissional ou outra pessoa devidamente habilitada. A B-Tech International Design And Manufacturing Ltd. e os seus distribuidores e concessionários não são responsáveis por danos ou lesões causados por uma instalação incorrecta. Este produto tem de ser montado numa estrutura adequada e utilizado somente até ao peso máximo indicado.

RU

Компания B-Tech International Design And Manufacturing Ltd. рекомендует, чтобы установка данного изделия производилась инженером по установке аудио-видеотехники или другим специалистом с соответствующей квалификацией. Компания B-Tech International Design And Manufacturing Ltd. ее дистрибьюторы и дилеры не несут ответственности за повреждения или травмы, полученные в результате неправильной установки. Данное изделие должно

توصي بي- تك للتجارة الدولية المحدودة بأن شخص محترف في تركيب ال AV او شخص مؤهل تأهيلا مناسباً لتركيب هذا المنتج. بي- تك للتجارة الدولية، موزعيها والتجار ليست عرضة أو مسؤولة عن الأضرار أو الإصابات الناجمة عن تركيب غير سليم، والاستخدام غير السليم أو عدم مراعاة هذه التعليمات للسلامة. يجب أن يتم تركيب هذا المنتج في بنية مناسبة ويجب استخدامه فقط لدعم الحد الأقصى للوزن المشار إليه.

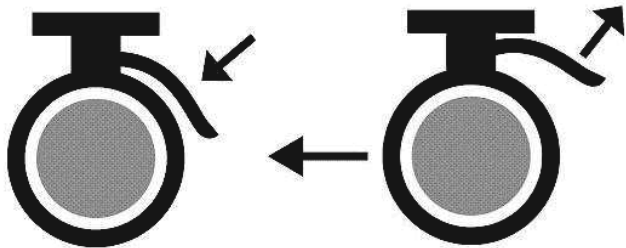


# WARNING

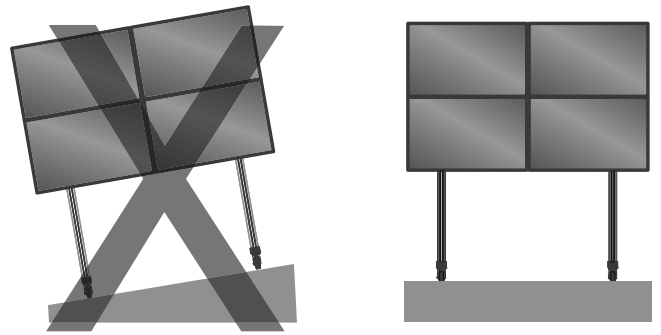


**CAN TIP OVER WHICH MAY LEAD TO  
SERIOUS INJURY.  
DO NOT ALLOW CHILDREN UNDER 16  
TO MOVE TROLLEY.  
MOVE TROLLEY SLOWLY**

ALWAYS APPLY BRAKES WHEN  
TROLLEY IS STATIONARY  
RELEASE BRAKES WHEN PUSHING  
TROLLEY.



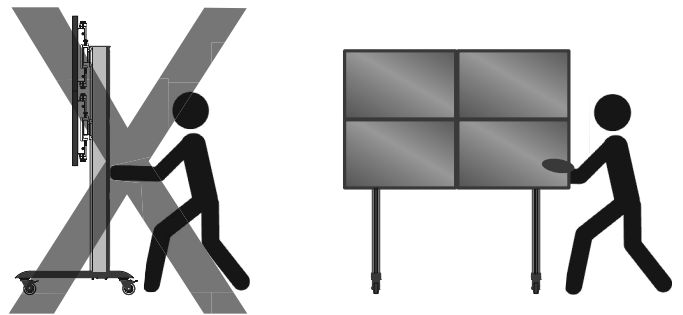
NEVER LEAVE TROLLEY ON  
AN INCLINE.  
ALWAYS PUSH AND PARK  
ON LEVEL GROUND



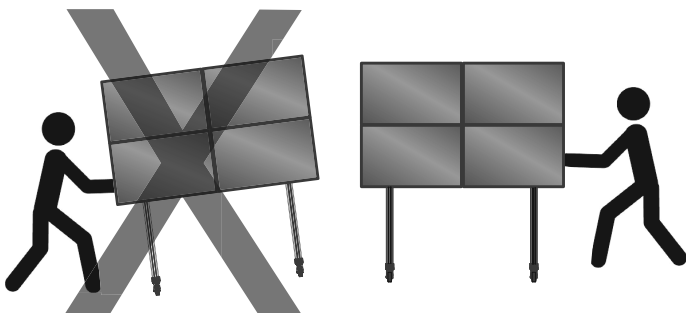
ONLY ADULTS SHOULD PUSH  
THIS TROLLEY



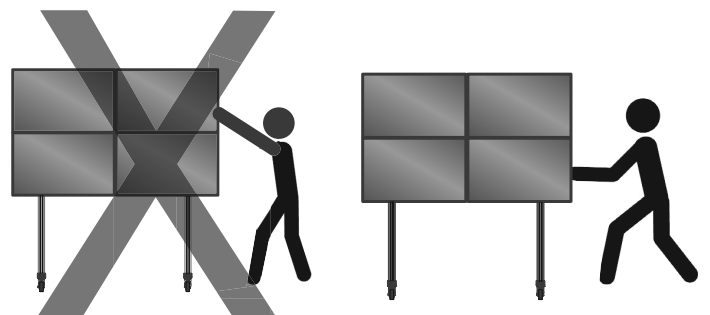
PUSH TROLLEY ON  
NARROW SIDE



NEVER PULL TROLLEY.  
ALWAYS PUSH



DO NOT PUSH AT TOP OF TROLLEY.  
ALWAYS PUSH NEAR MIDDLE



# INSTALLATION NOTES

## FLOORSTAND STABILITY

!!! WARNING - DANGER !!!

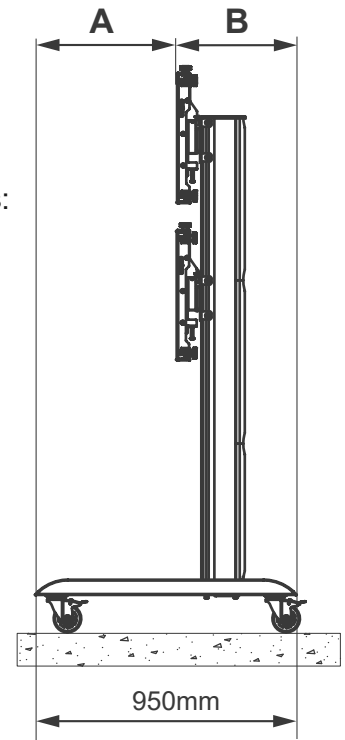
- Install stand on level ground
- Minimum two person assembly

When verifying the stability of the structure, consider the following external factors:

1. The strength of the floor.
2. Exposure to sudden and severe wind.
3. Danger arising from contact with people and / or objects. (eg installations in passageways, emergency exits).

BT8371 DEPTH DIMENSIONS		
INTERFACE ARM	A	B
BT8390-VESA200F / BT8390-VESA400F	538.6mm	411.4mm
BT8390-VESA200T / BT8390-VESA400T	528.6mm	421.4mm
BT8390-VESA400MAF	500.9mm*	449.1mm*
BT8390-VESA400MAP (Closed)	481.6mm*	468.4mm*

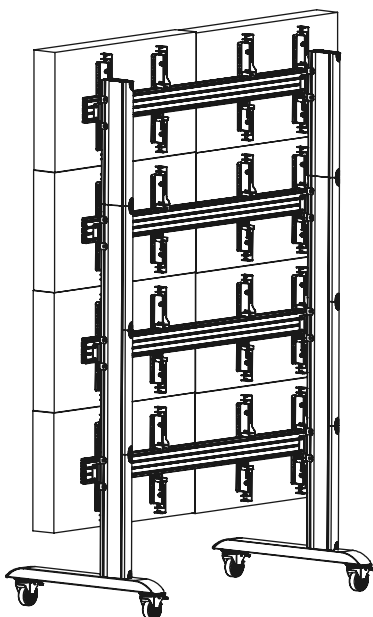
\*+/-10mm Micro-Adjustment



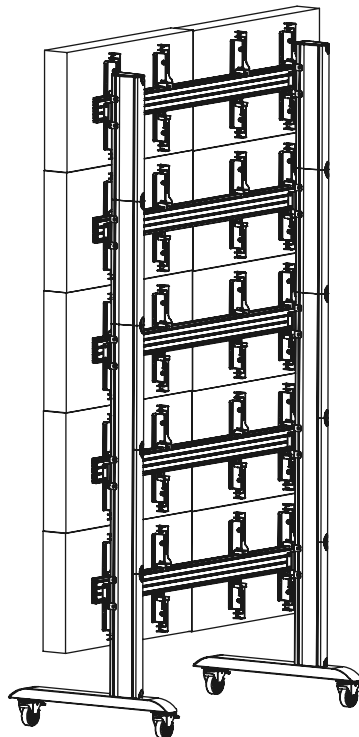
## BT8371 MAX LOAD CONFIGURATIONS

### MAX COLUMN HEIGHT 3.6M

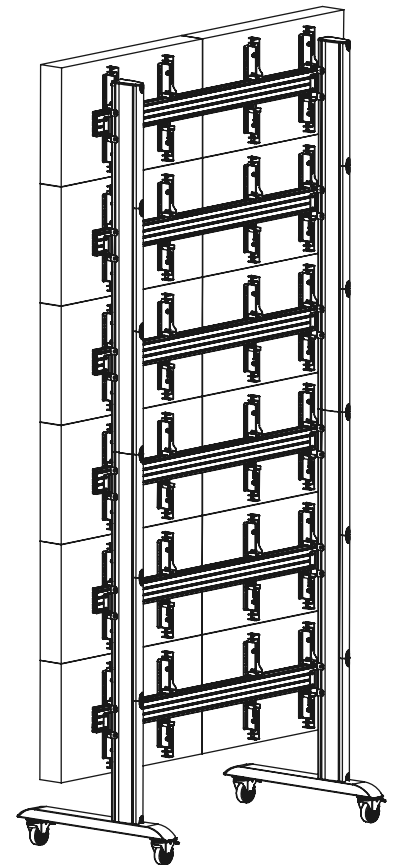
**Note:** Screen weight must be evenly spread up the vertical column



Column height: Up to 2.4m  
 Max load per screen: 50kg  
 Max load per vertical column: 200kg



Column height: 3m  
 Max load per screen: 25kg  
 Max load per vertical column: 150kg



Column height: Up to 3.6m  
 Max load per screen: 25kg  
 Max load per vertical column: 150kg

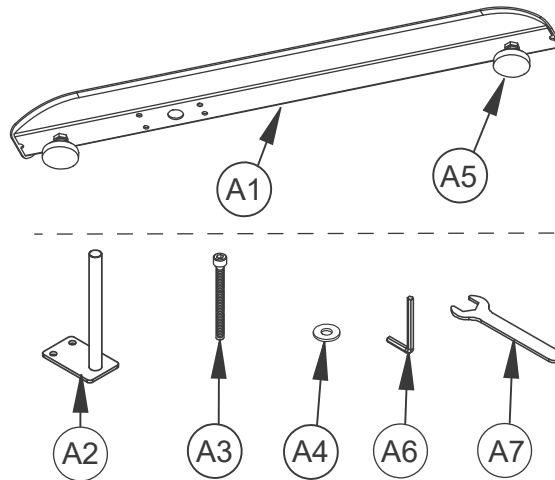
# BT8371 PARTS LIST

Due to the multiple installations available each option below is dependent on the stand ordered.

PLEASE KEEP THIS FOR FUTURE REFERENCE

## (A) BASE

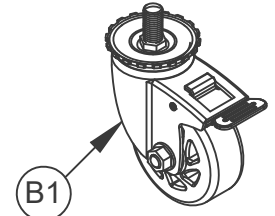
BT8380-BASE



ITEM	PART NAME	QTY PER PACK
A1	BASE	1
A2	SUPPORT STEM	1
A3	M8 x 90mm SCREW	4
A4	M8 WASHER	2
A5	LEVELLING FOOT	2
A6	6AF HEX KEY	1
A7	24mm SPANNER	1

## (B) CASTORS

BT8380-CASTORS

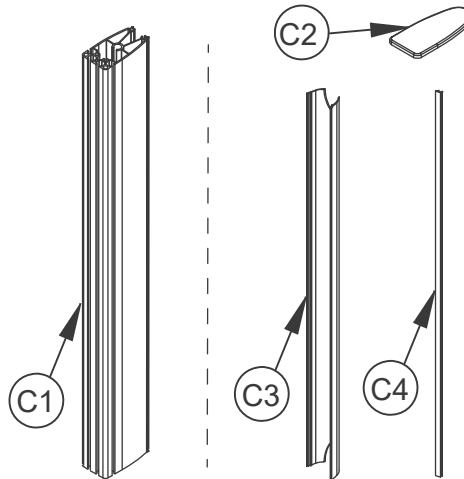


ITEM	PART NAME	QTY PER PACK
B1	CASTOR	2

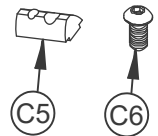
## (C) COLUMN

BT8380-180  
Height: 180cm

BT8380-060  
Height: 60cm

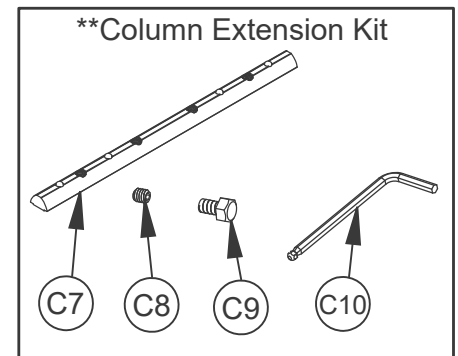


Optional  
\*To fix shelves to a column



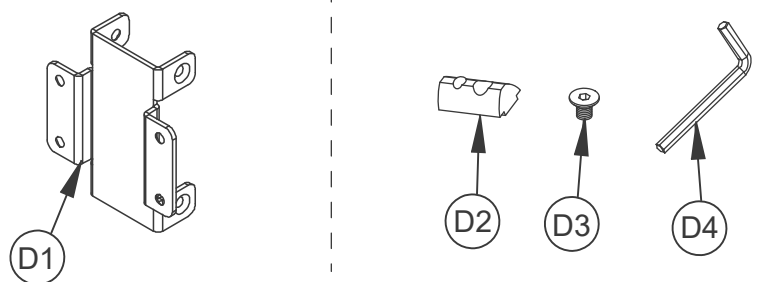
ITEM	PART NAME	QTY PER PACK
C1	VERTICAL COLUMN	1
C2	END CAP*	1
C3	CABLE COVER	3
C4	PLASTIC SLOT INSERT	4
C5	M8 SLIDING NUT*	2
C6	M8 x 12mm SCREW*	2
C7	COLUMN JOINER**	4
C8	GRUB SCREW**	16
C9	M6 x 10mm HEX BOLT**	8
C10	3AF HEX KEY**	1

\*Supplied with the BT8380-180  
\*\*Supplied with the BT8380-060



## (D) JOINING PLATE

BT8380-JPK



ITEM	PART NAME	QTY PER PACK
D1	JOINING PLATE	1
D2	M8 SLIDING NUT	8
D3	M8 x 12mm SCREW	4
D4	5AF HEX KEY	1

## (E) MOUNTING RAIL

BT8390-050  
Length: 50cm

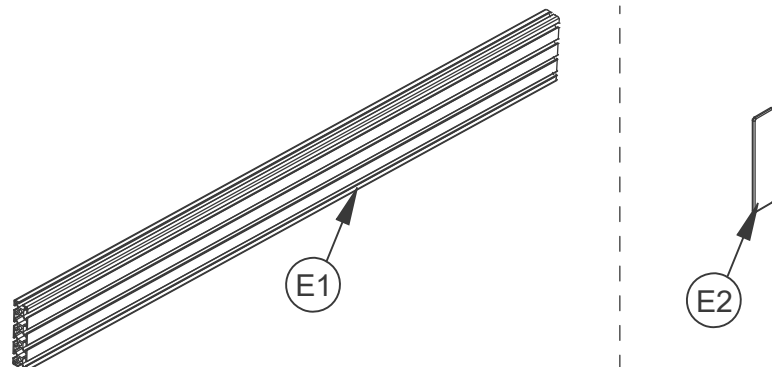
BT8390-070  
Length: 70cm

BT8390-150  
Length: 150cm

BT8390-175  
Length: 175cm

BT8390-200  
Length: 200cm

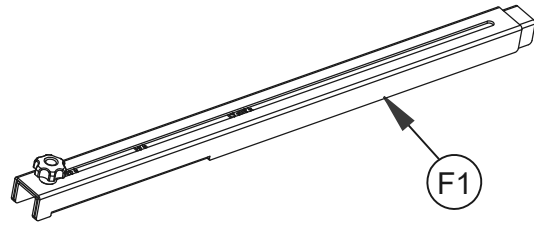
BT8390-300  
Length: 300cm



ITEM	PART NAME	QTY PER PACK
E1	MOUNTING RAIL	1
E2	END CAP	2

**(F) SPACER**

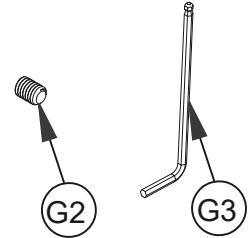
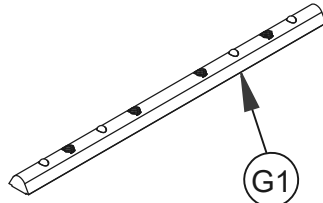
BT8390-SP



ITEM	PART NAME	QTY PER PACK
F1	SPACER	1

**(G) OPTIONAL RAIL EXTENSION KIT**

BT8390-EXT



ITEM	PART NAME	QTY PER PACK
G1	JOINING BAR	6
G2	M6 x 8mm GRUB SCREW	24
G3	3AF HEX KEY	1

**(H) INTERFACE KIT**

ITEM	PART NAME	QTY PER PACK
H1	SCREEN INTERFACE ARM	2
H2	M6 x 8mm HEX SCREW	2
H3	ADJUSTABLE BRACE	1
H4	M5 x 6mm SCREW	2
H5	M6 x 35mm SCREW	2
H6	3AF HEX KEY	1
H7	4AF HEX KEY	1
H8	5AF LONG HEX KEY	1

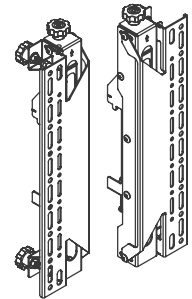
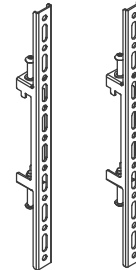
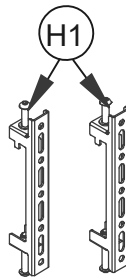
ITEM	SCREEN FIXING KIT	QTY PER PACK
A	M4 x 12mm SCREW	4
B	M4 x 25mm SCREW	4
C	M4 x 40mm SCREW	4
D	M6 x 16mm SCREW	4
E	M6 x 25mm SCREW	4
F	M6 x 40mm SCREW	4
G	M8 x 16mm SCREW	4
H	M8 x 25mm SCREW	4
I	M8 x 40mm SCREW	4
J	MULTIWASHER	4
K	5mm SPACER	4
L	13mm SPACER	4
M	24mm SPACER	4
N	M6 WASHER	4

**Screen Interface Arms**

BT8390-VESA200F

BT8390-VESA400F

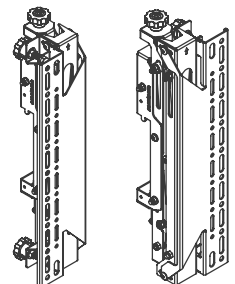
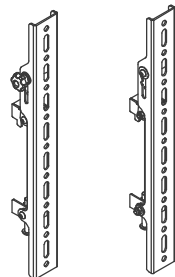
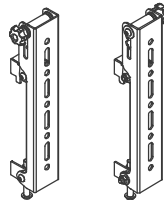
BT8390-VESA400MAF



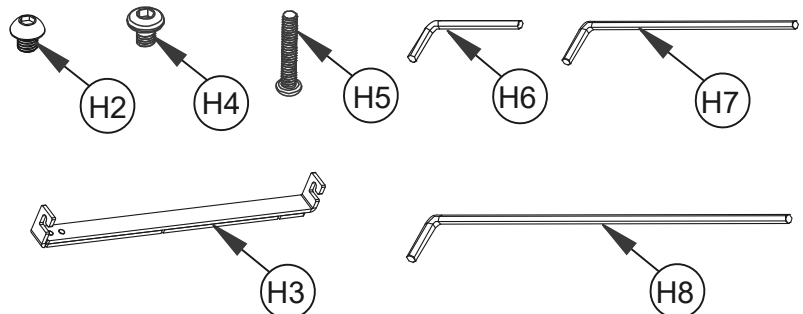
BT8390-VESA200T

BT8390-VESA400T

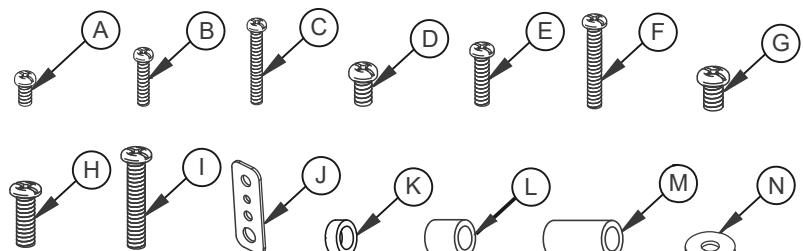
BT8390-VESA400MAP



**Interface Arm Kit**

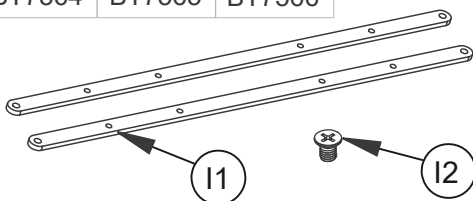


**Screen Fixing Kit**



**(I) OPTIONAL INTERFACE ADAPTOR ARMS**

BT7564 | BT7565 | BT7566



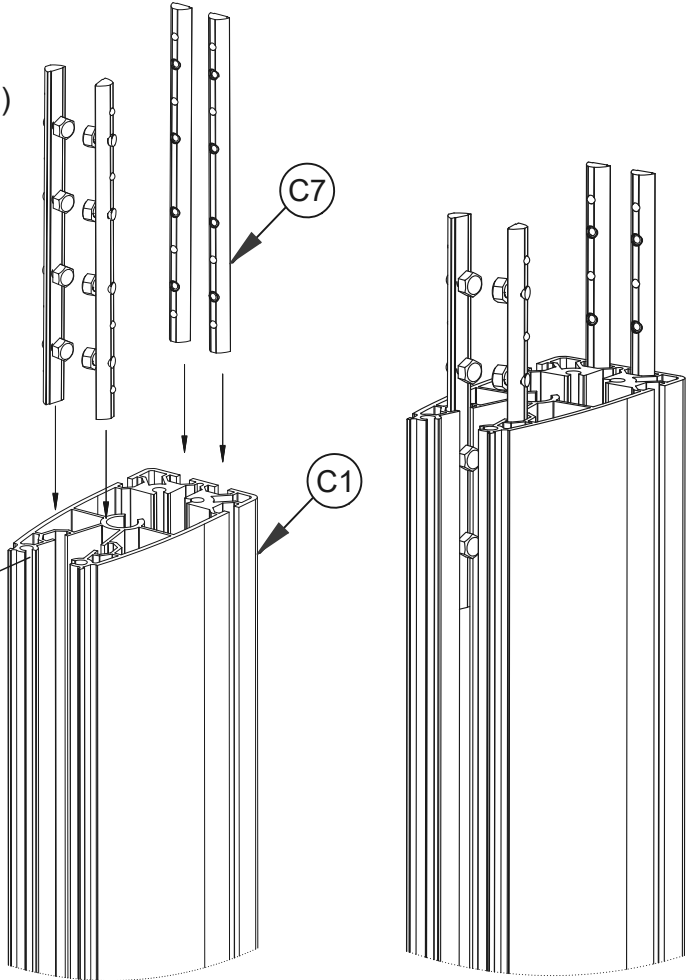
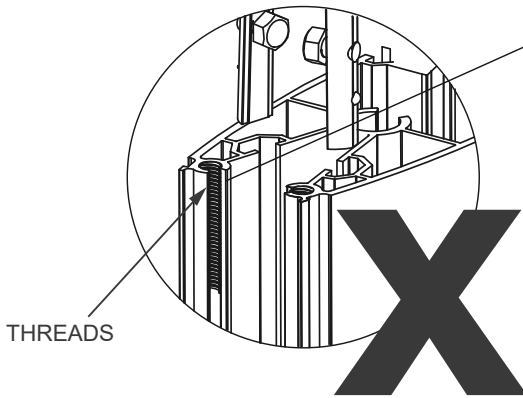
ITEM	PART NAME	QTY PER PACK
I1	ADAPTOR ARMS	2
I2	M8 x 12mm SCREW	4

Please refer to individual parts list for more information

# OPTIONAL: EXTENDING THE COLUMNS

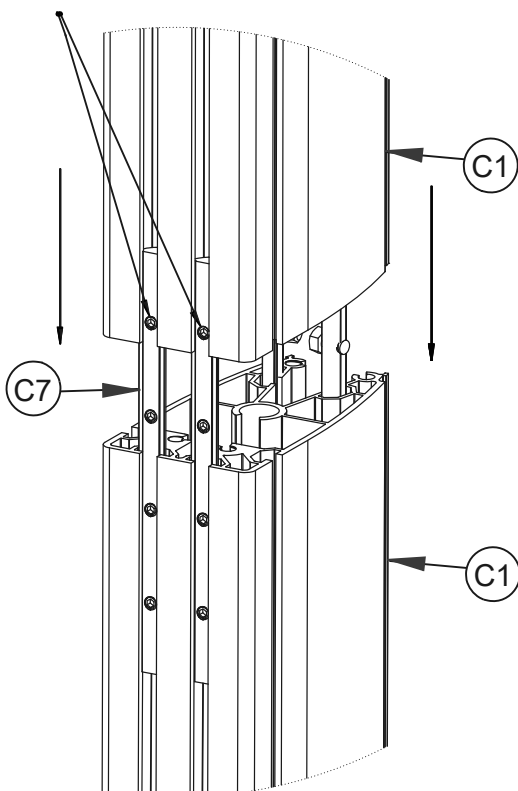
- i. Insert the joining bars (item C7) halfway into the non-threaded end of the column (item C1). The two joining bars with grub screws (item C8) go in the front of the column and the 2 joining bars with hex bolts (item C9) go in the back.

**IMPORTANT:** Joining bars should be inserted into the non-threaded end of the 180cm column.



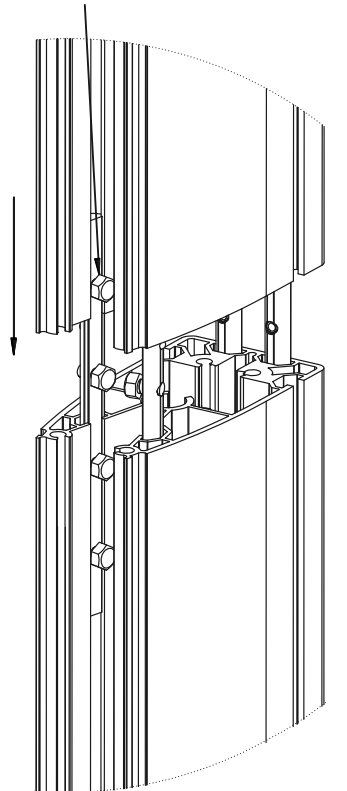
## Front of Column

- ii. The two joining bars with grub screws in the front of the column.

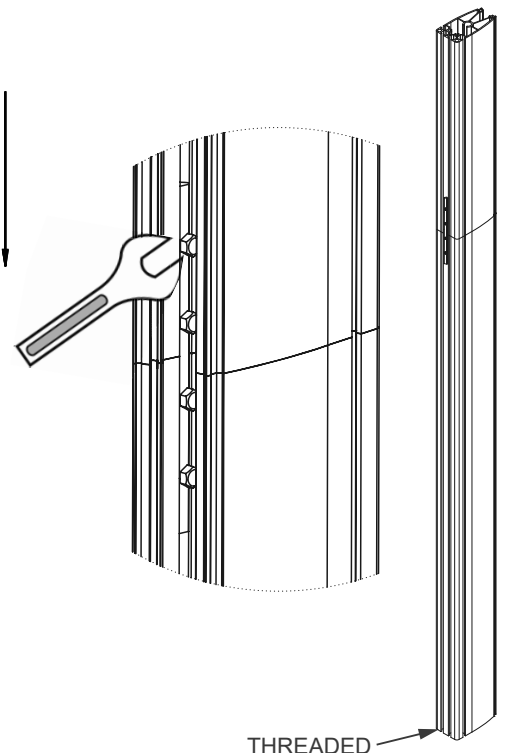


## Back of Column

- The two joining bars with hex bolts in the rear of the column.



Tighten hex bolts by hand. Finish tightening using a 10mm spanner.

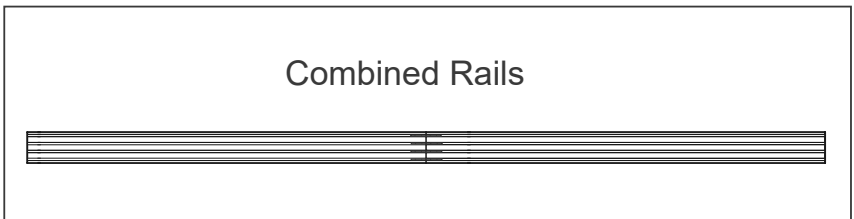
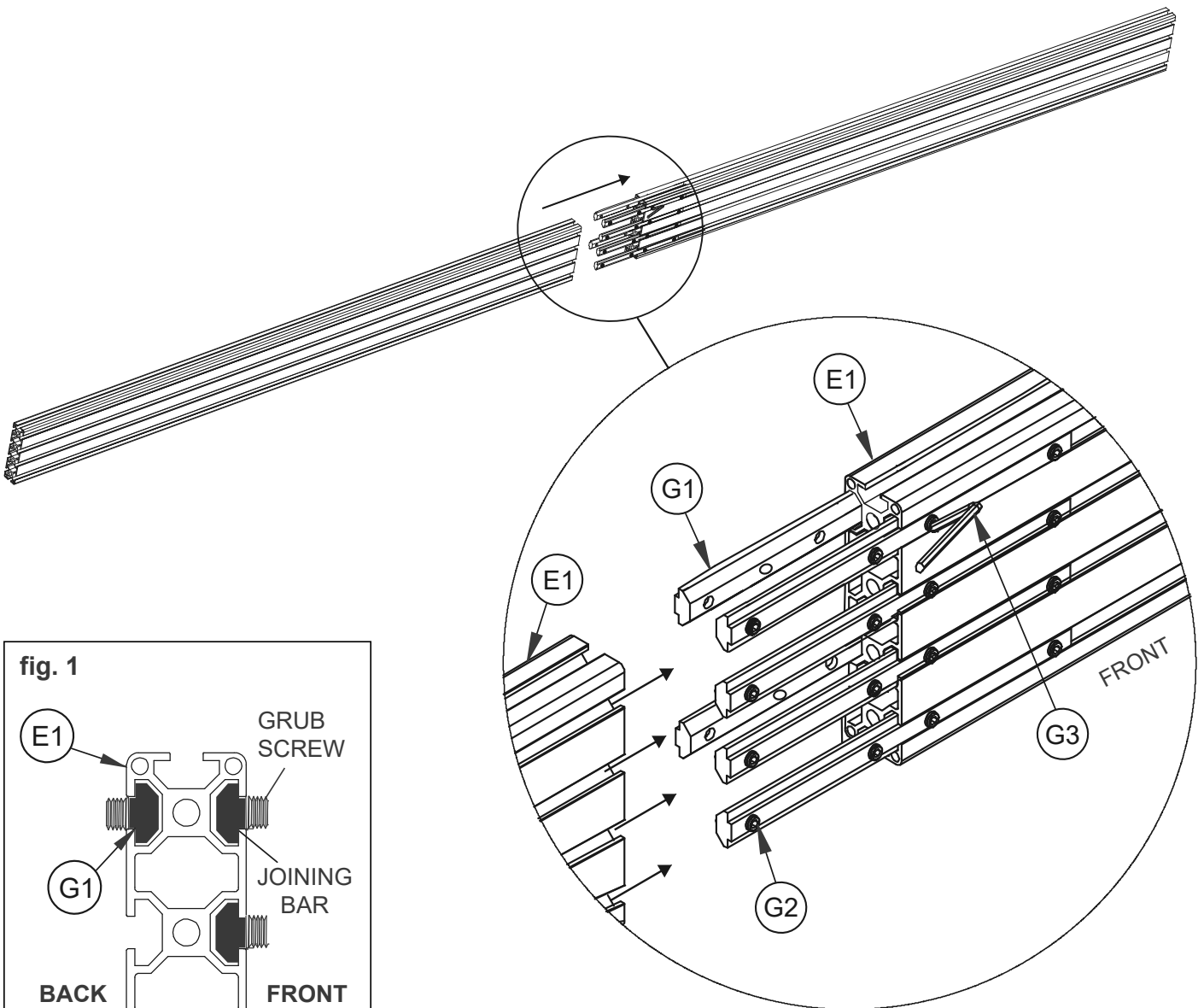




# OPTIONAL: EXTENDING THE MOUNTING RAIL

## Combine Mounting Rails together using the BT8390-EXT

- i. On the intended front facing side of the mounting rail (item E1) insert 4 x joining bars (item G1) half-way into each slot, on the back side insert 1 x joining bar into the top slot and 1 x joining bar into the third slot (see *fig. 1*). Loosely fasten the 2 grub screws (item G2) on each joining bar fixing it to the mounting rail.
- ii. Slide another mounting rail (item E1) onto the joining bars and tighten all the grub screws, combining the rails securely.



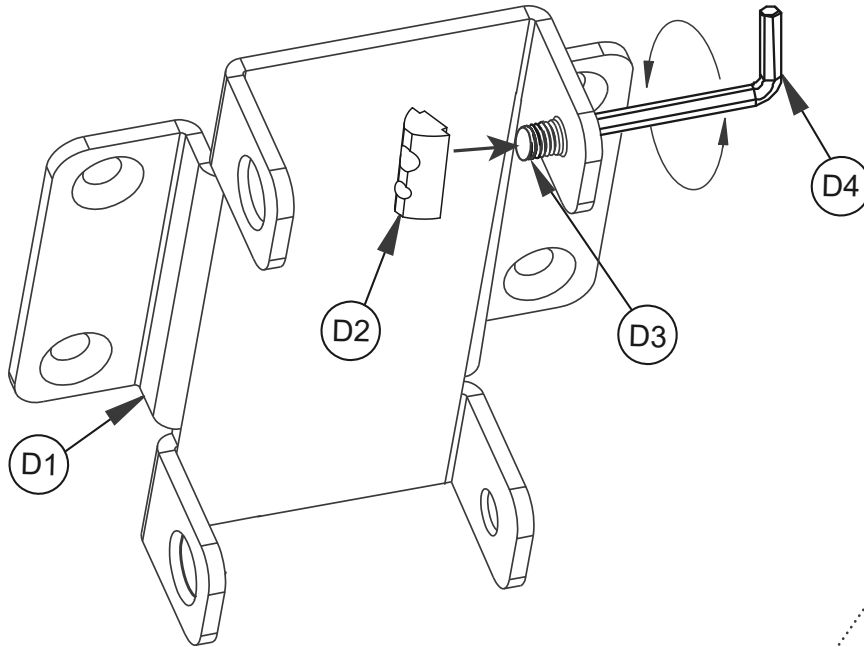
# INSTALLATION INSTRUCTIONS

1

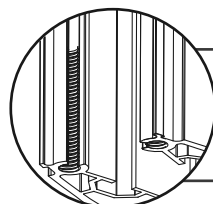
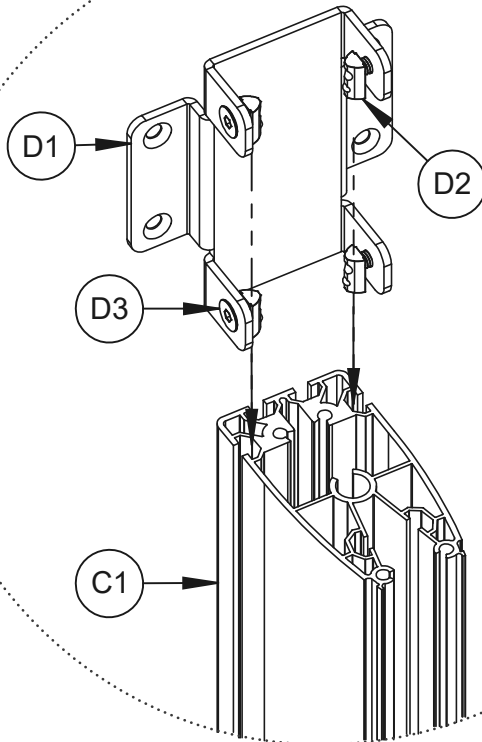
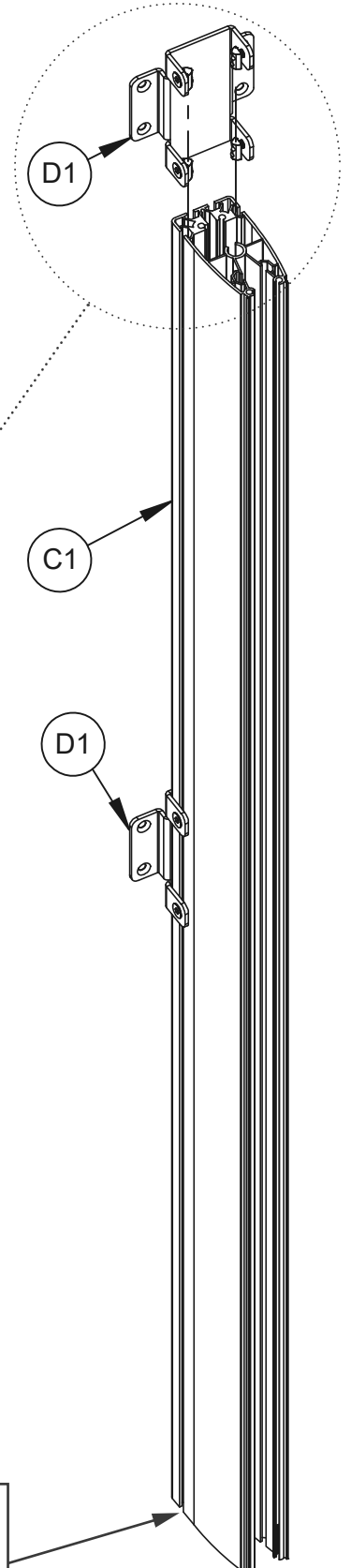
## Attach Joining Plate to Column

- i. Connect together the M8 x 12mm (item D3) with M8 Sliding Nut (item D2) onto the joining plates (item D1).
- ii. Lay columns (items C1) on the floor and slide on the joining plates (item D1).

i.

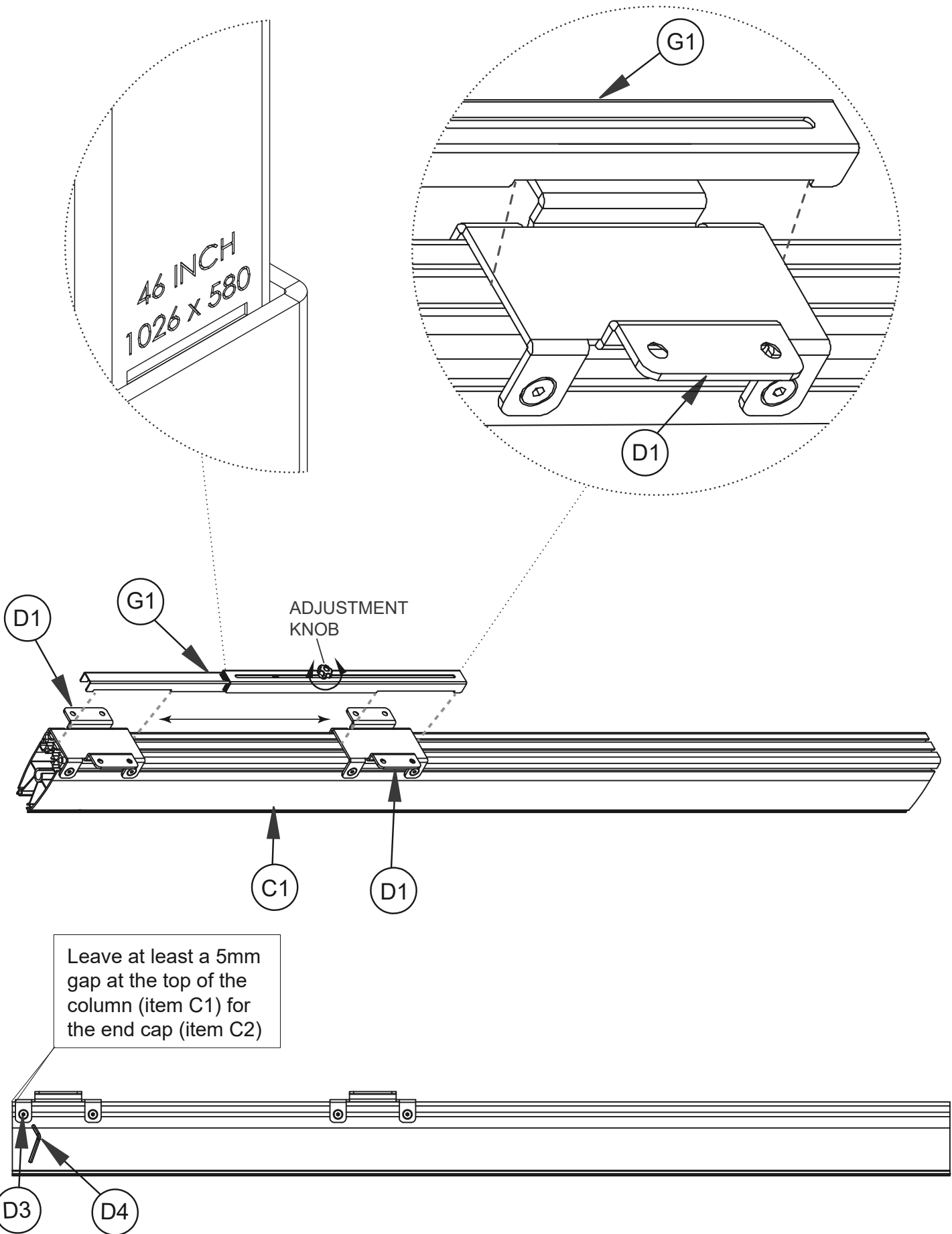


ii.



**IMPORTANT:**  
Make sure the end with M8 threads  
are at the bottom of the columns.

iii. Use the spacer (item G1) to set the distance between joining plates (items D1) on the column (item C1) according to the screen size. Once set, tighten the M8 x 12mm screws (item D3).

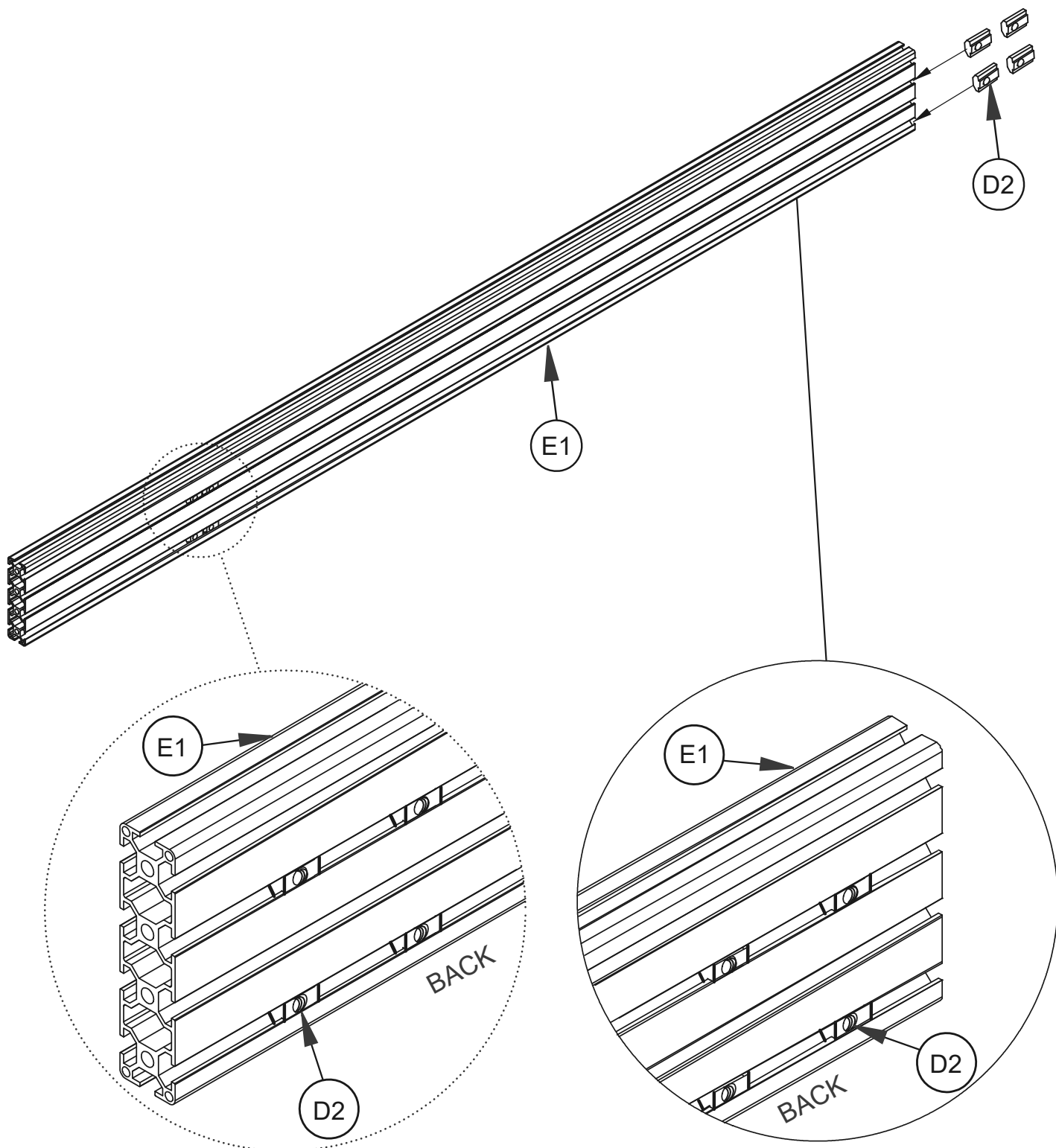


## 2

### Insert Sliding Nuts into Mounting Rails

Lay mounting rails (item E1) on the floor and insert 4 x M8 sliding nuts (item D2).  
2 in the second slot, 2 in the bottom slot.

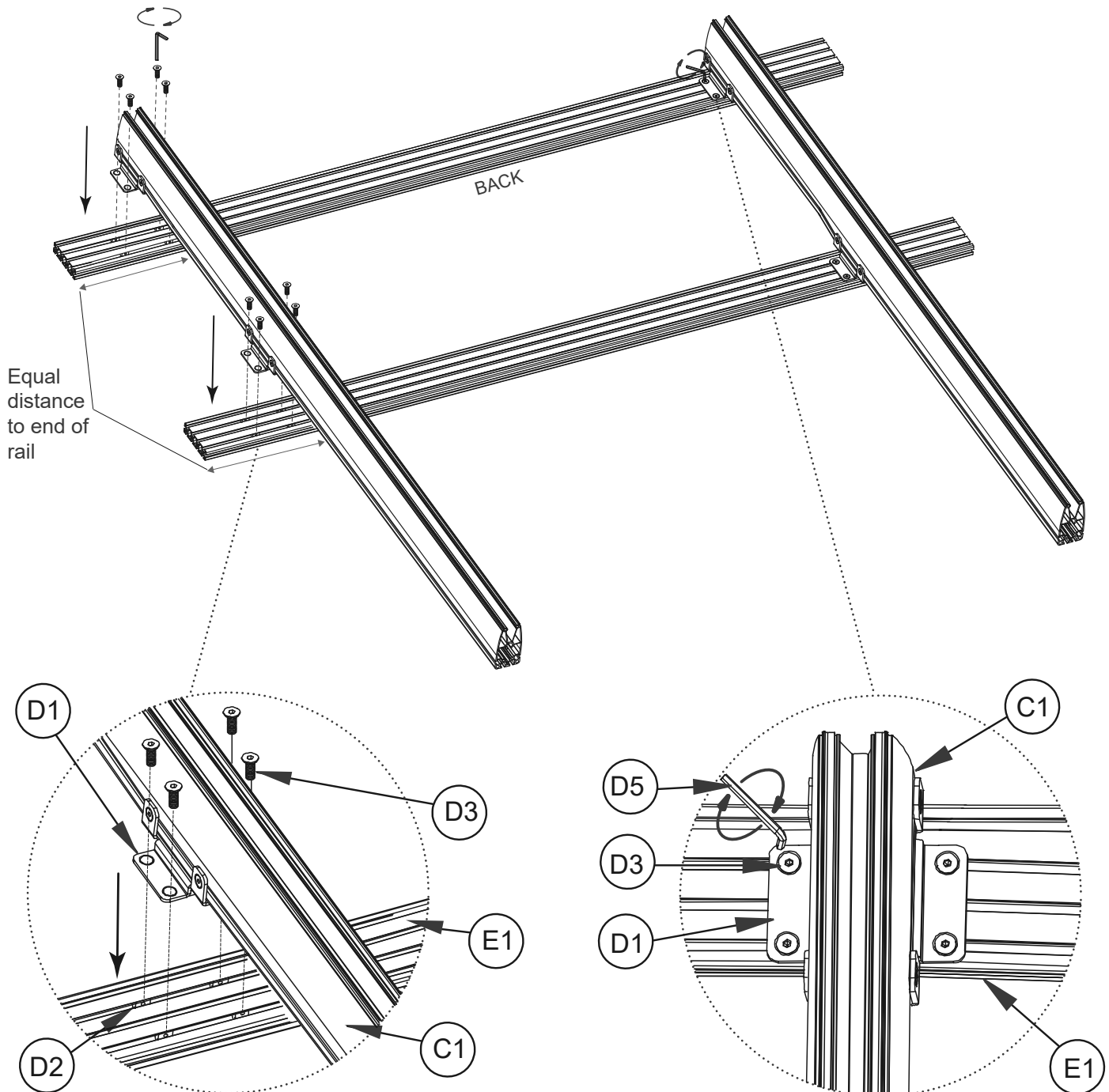
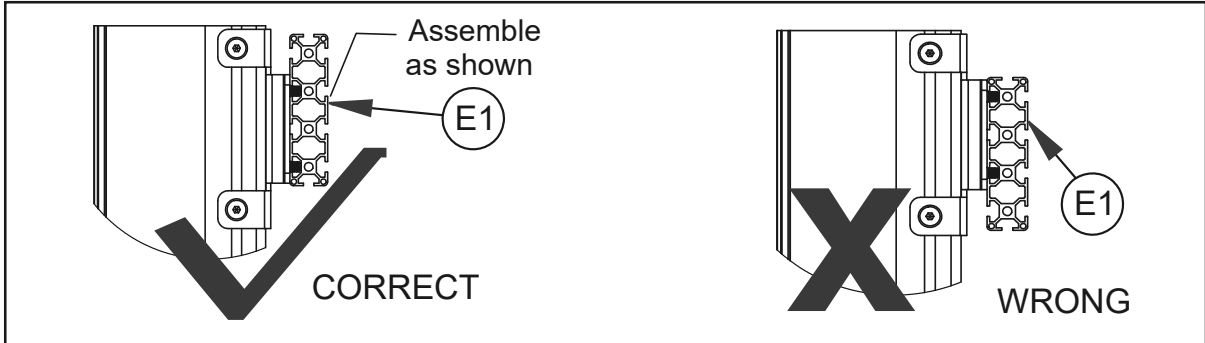
Insert 4 sliding nuts for each joining plate (item D1) to be attached to the rail.



### Attach Rails to Columns

On the floor, lay the columns (item C1) face down onto the mounting rails (item E1). Through the joining plates (item D1), fasten the M8 x 12mm screws (item D3) into the M8 sliding nuts (item D2) attaching the rails to the columns.

To ensure straight assembly of columns (item C1), make sure the distance of the outer joining plates (item D1) to the end of the rails (item E1) are set the same on each rail.

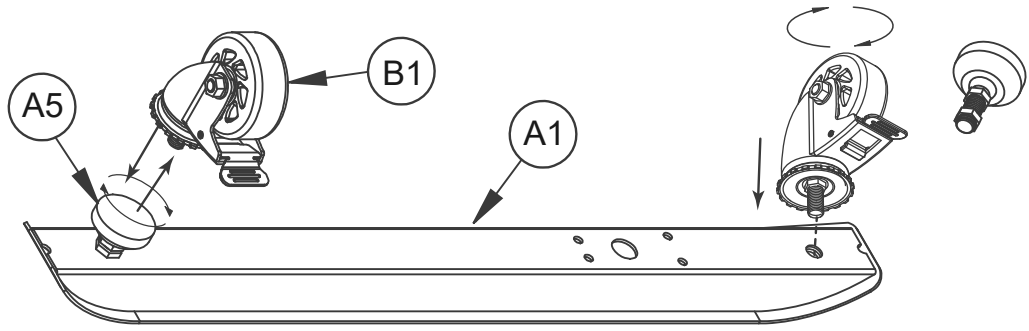


# 4

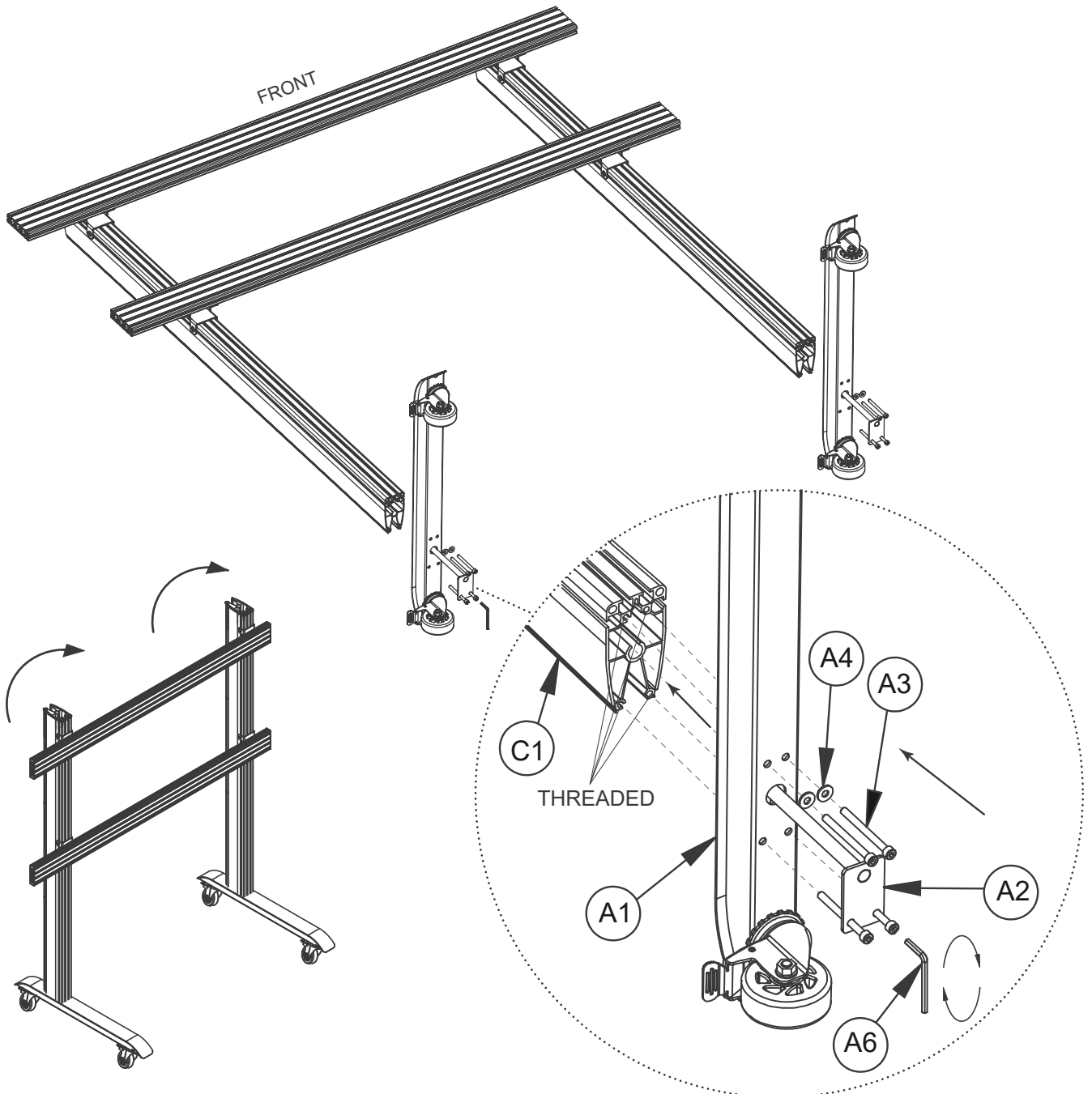
## Assemble Bases to Columns

i. For a mobile application, unscrew the levelling feet (item A5) on the base (item A1) and replace with the castors (item B1) before attaching the base to the columns.

**NOTE:**  
Ensure castors are set on the braked position for assembly.



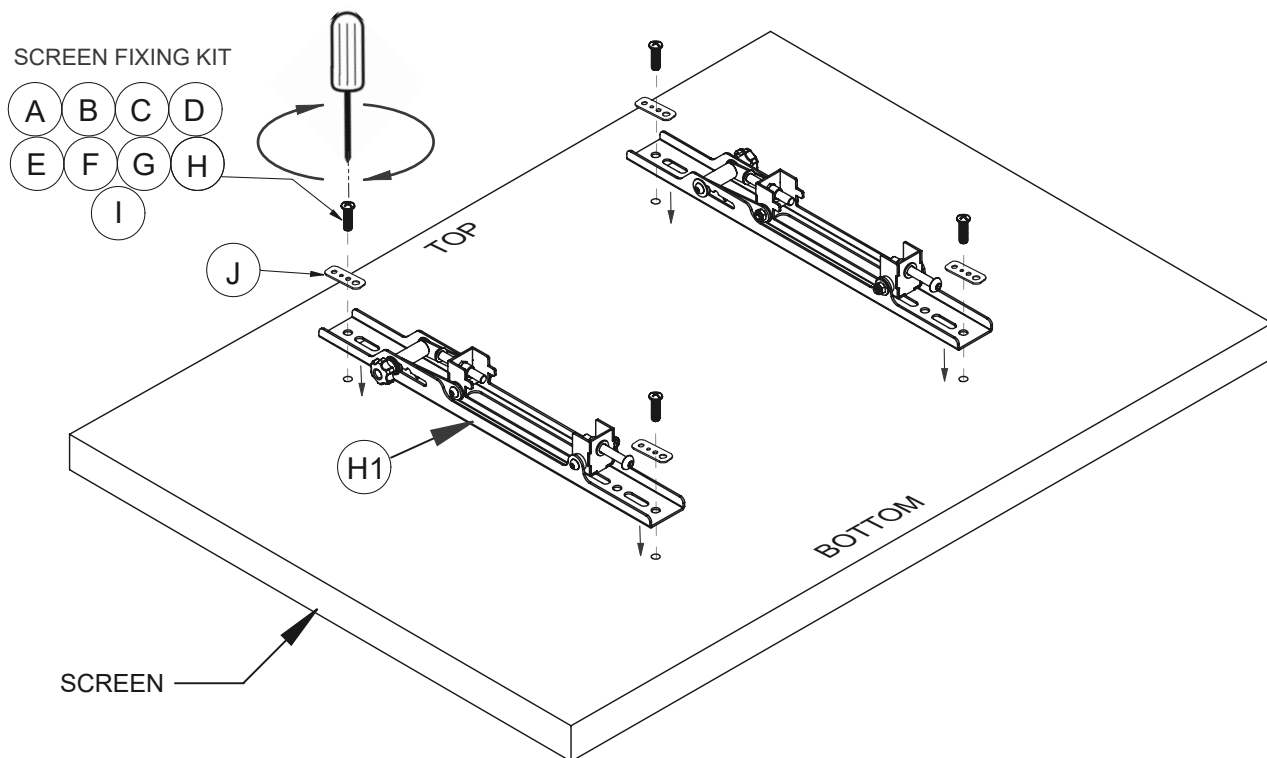
ii. On the floor, attach the bases (item A1) to the columns (item C1) using the support stems (item A2), M8 x 90mm screws (item A3) and washers (item A4). Once bases are fixed, return stand to upright position.



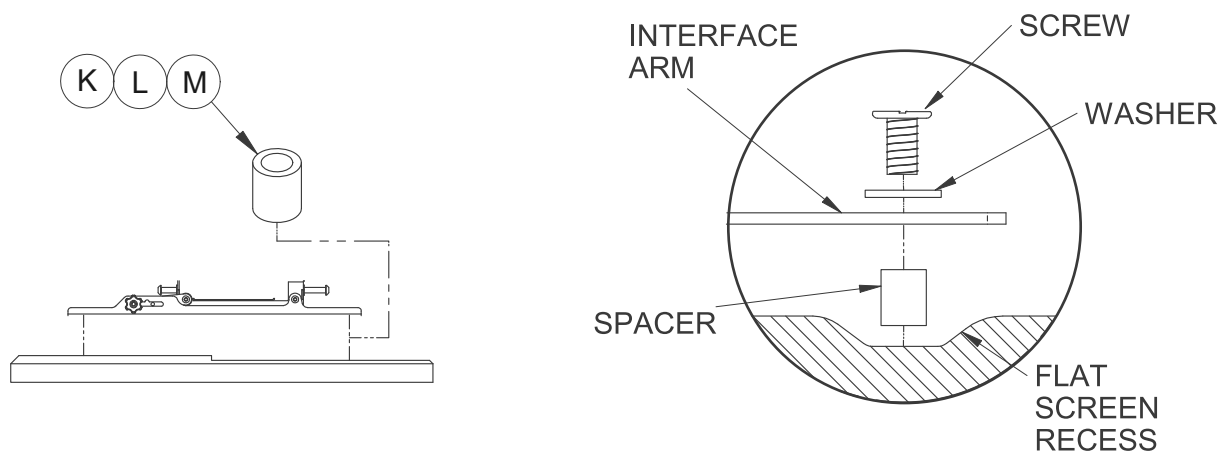
# 5A

## Attaching Fixed and Tilt Interface Arms to the Screens

Attach the interface arms (items H1) to the back of the screen using the screen fixing kit (items A-I). Ensure the arms are positioned the correct way round and the same holes are used on both arms.

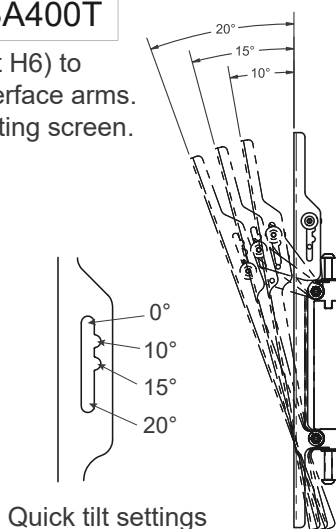
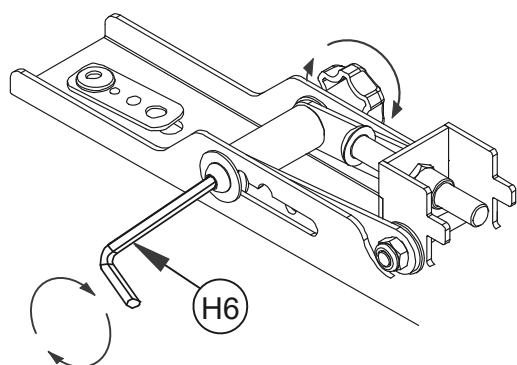


### Use spacers for screens with recessed fixings

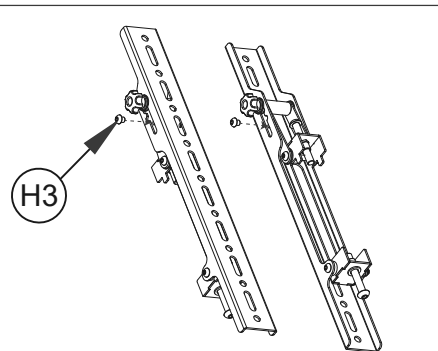


### BT8390-VESA200T / BT8390-VESA400T

For tilt adjustment, use the 4AF hex key (part H6) to loosen the screw and thumbwheel on the interface arms. Re-tighten screw to fix tilt angle before mounting screen.



**Note:** Fix tilt angle on interface arm before mounting screen to rail.

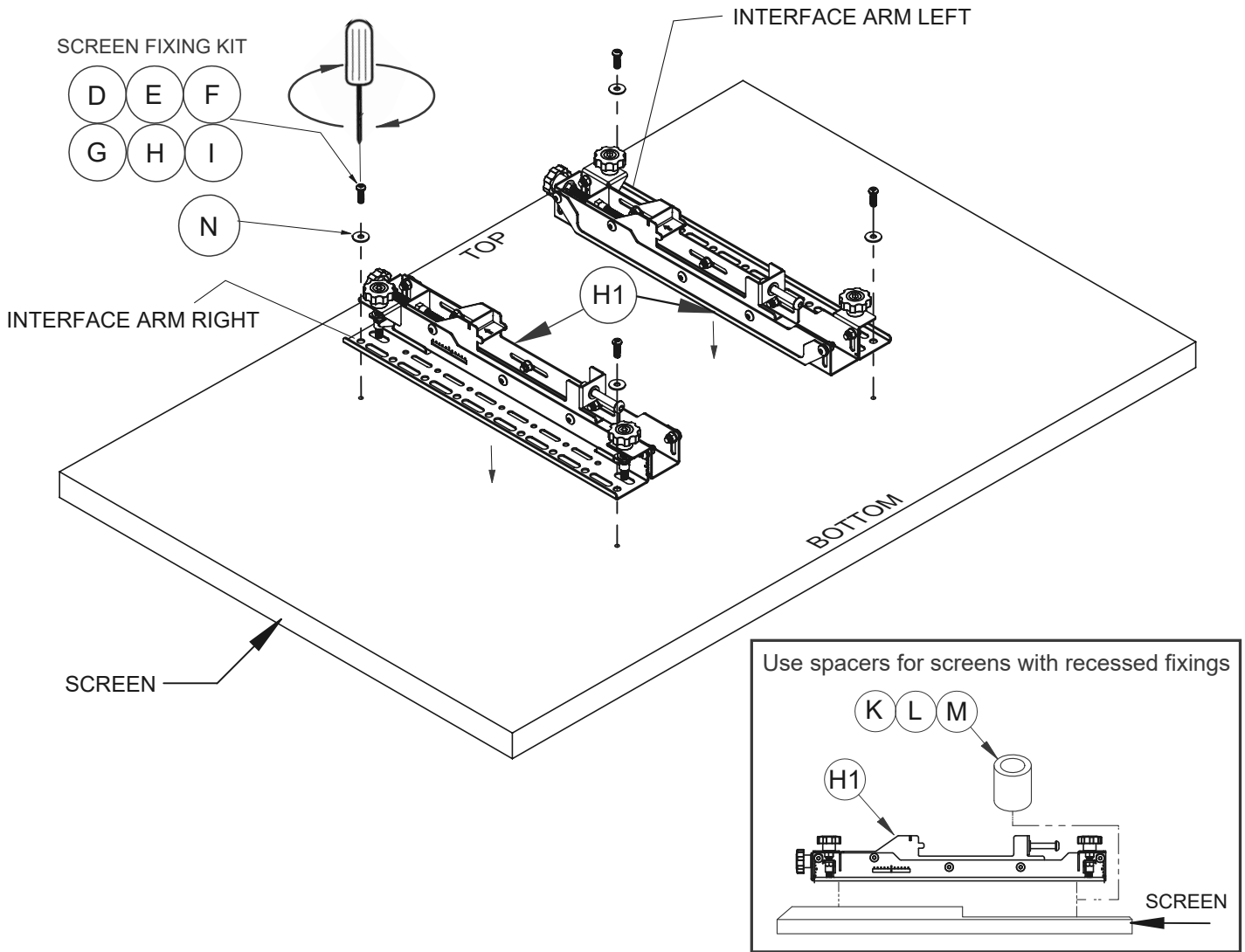


Two M6 x 6mm (part H3) screws are required for a flat 0° display.

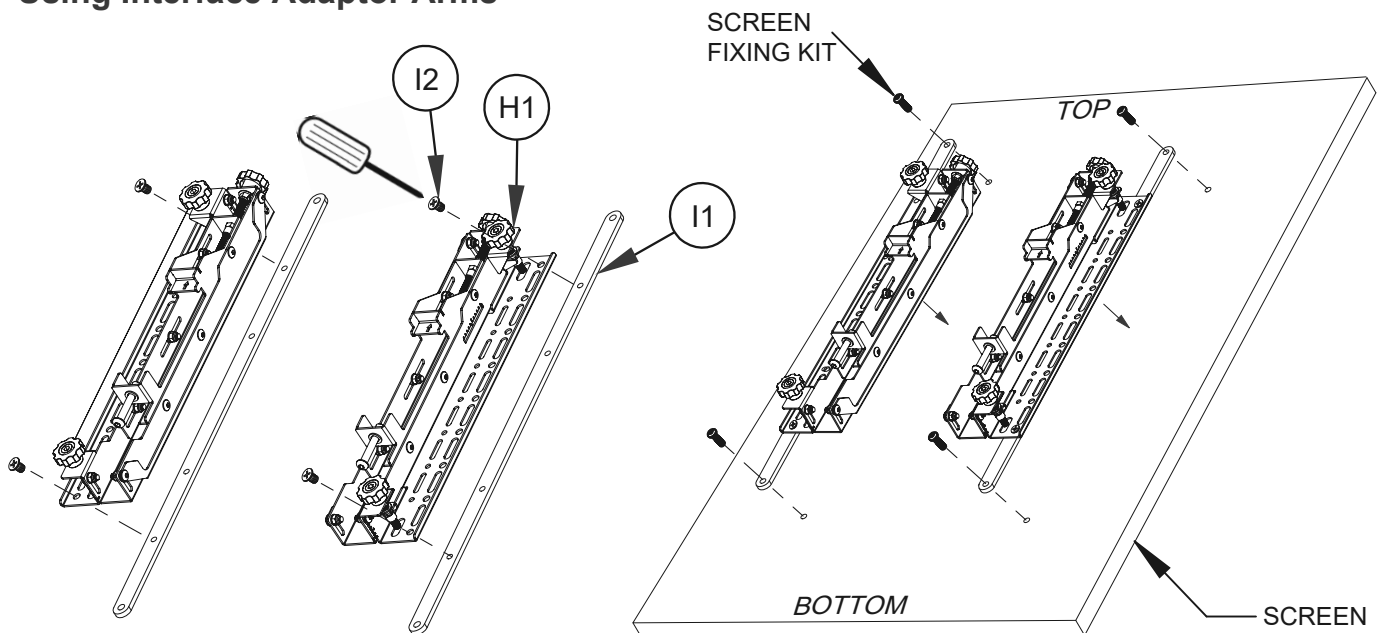
# 5B

## Attaching Micro-Adjustment Interface Arms to Screen (BT8390-VESA400MAF)

Attach the interface arms (items H1) to the back of the screen using the screen fixing kit (items D-I). Ensure the arms are positioned the correct way round and the same holes are used on both arms.



### Using Interface Adaptor Arms

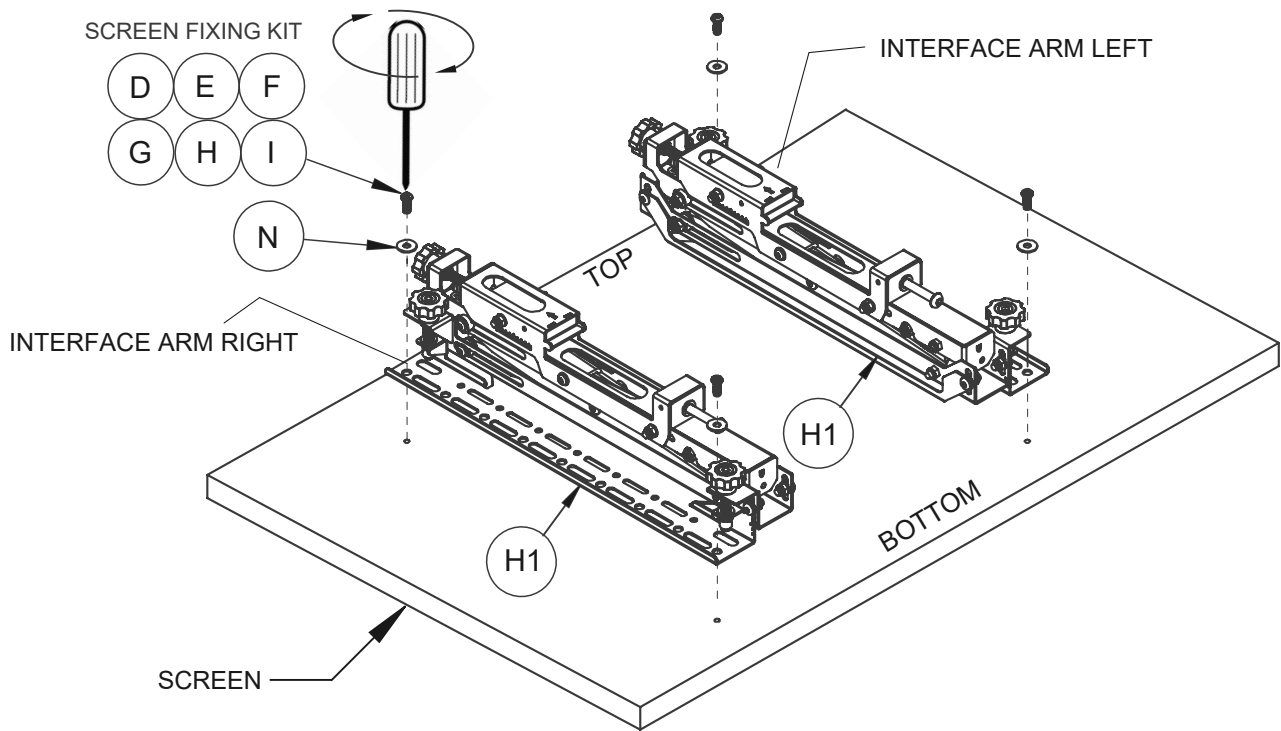


**NOTE:** Portrait mounting shown.  
For landscape mounting attach adaptor arms horizontally



## Attaching Pop-Out Interface Arms to Screens (BT8390-VESA400MAP)

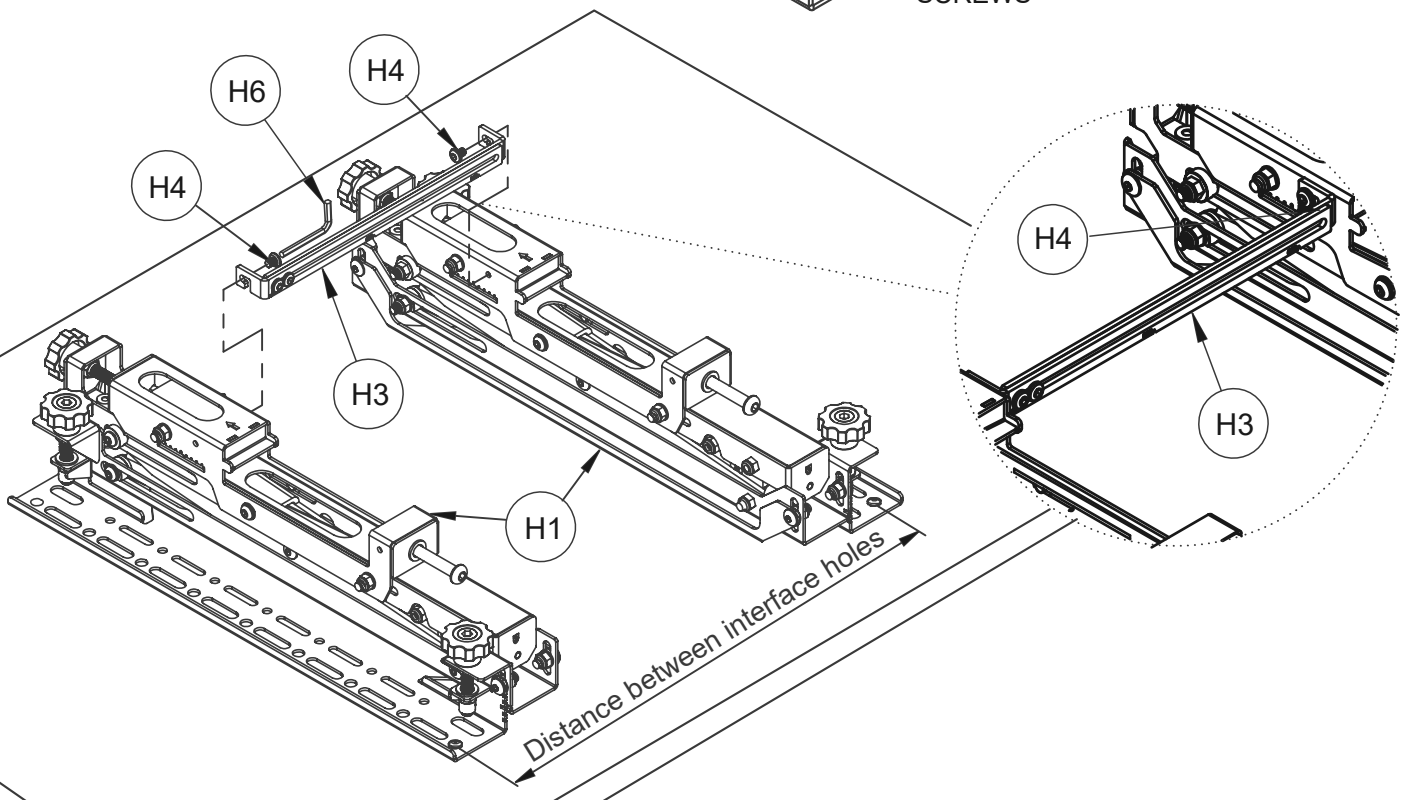
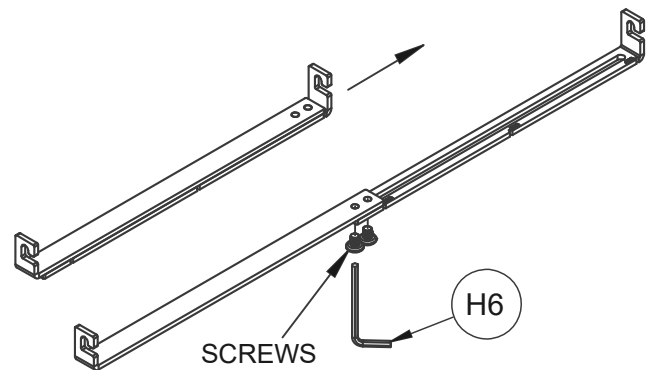
- i. Attach the interface arms (items H1) to the back of the screen using the screen fixing kit (items D-I). Ensure the arms are positioned the correct way round and the same holes are used on both arms.



- ii. Connect interface arms with the adjustable brace. Extend brace (item H3) and fix at desired length by tightening the 2 screws. The 3 notches show the position for interface fixings at 400mm, 500mm and 600mm.

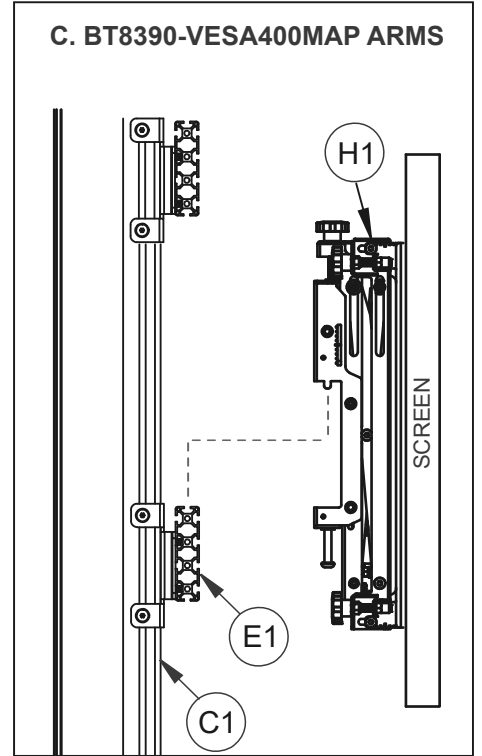
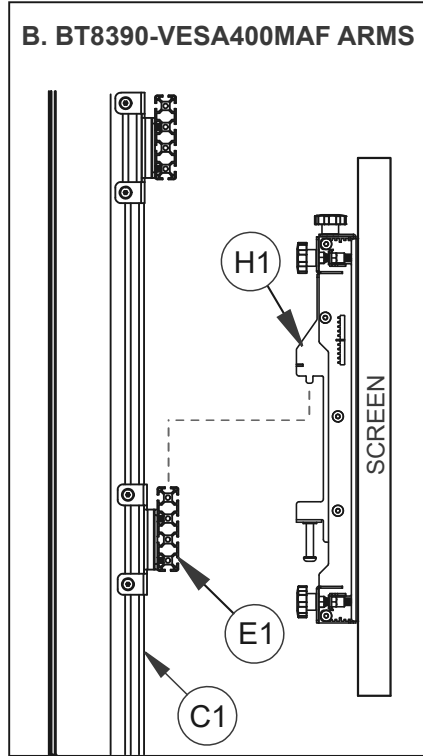
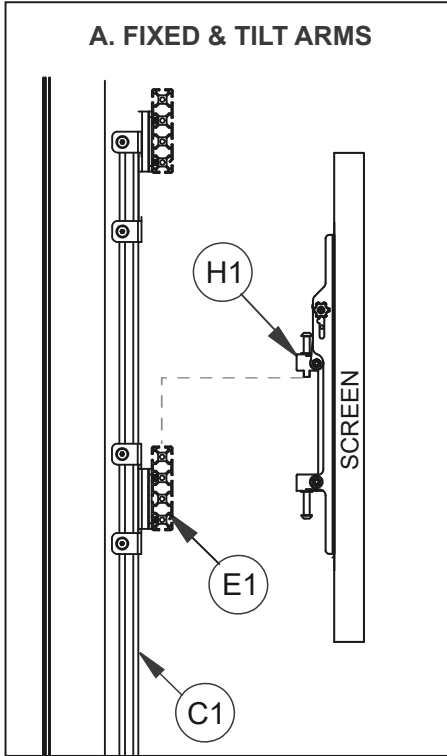
**Note:** The adjustable brace is only suitable for horizontal VESA fixings from 400 - 600mm.

- iii. Fix brace (item H3) inbetween the interface arms (items H1) for easy lateral adjustment of the screen.

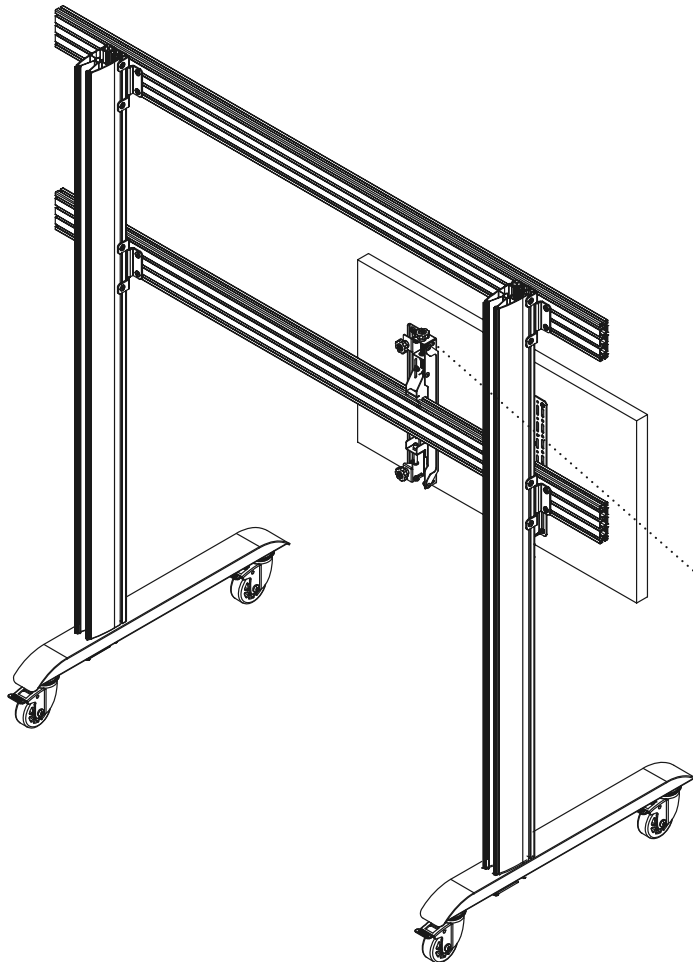


**Mount Screen to Rail**

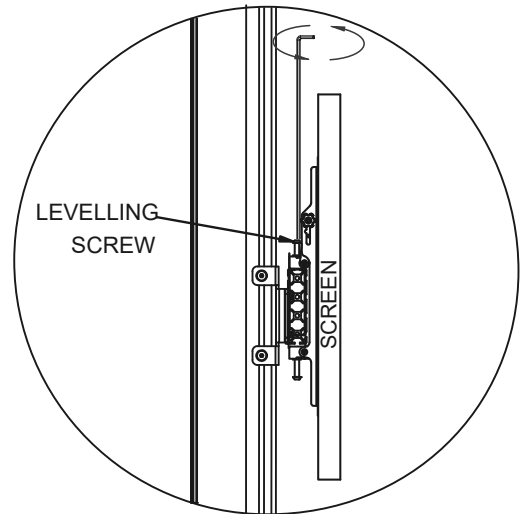
i. Hook the first screen onto bottom left of the stand.



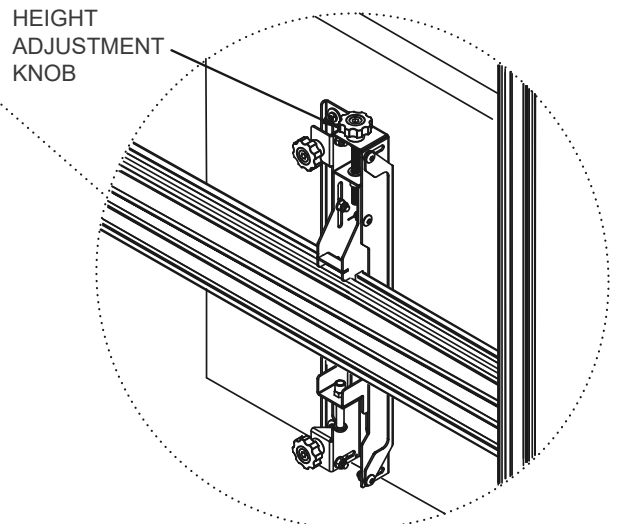
ii. With a level, align the screen to the floor using the height adjustment screws / knobs on top of the interface arms.



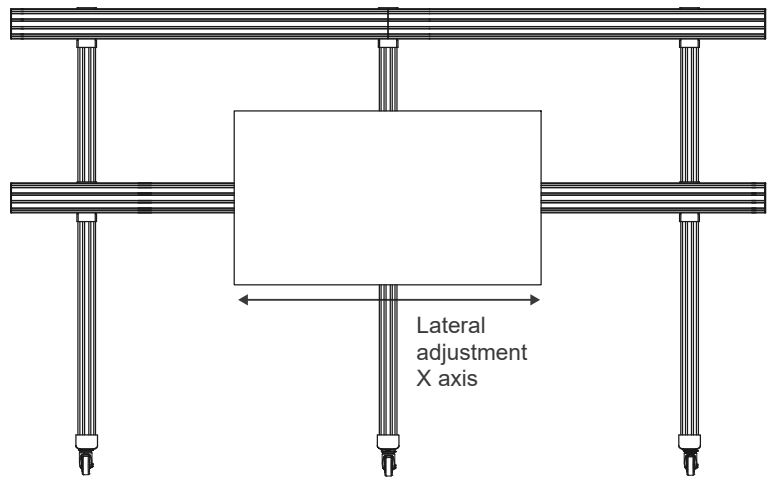
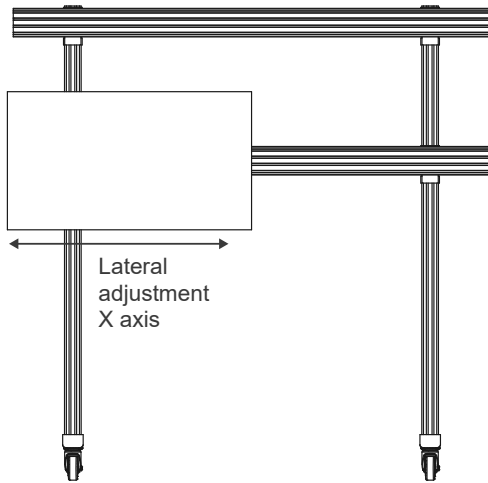
**A. FIXED & TILT ARMS**



**B & C. MICRO-ADJUSTMENT ARMS**



iii. Laterally adjust screen by hand.



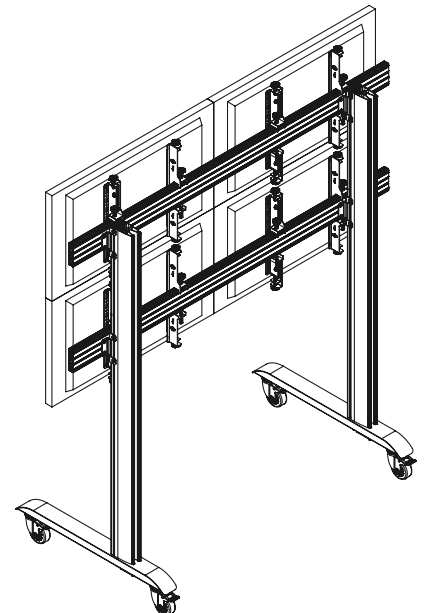
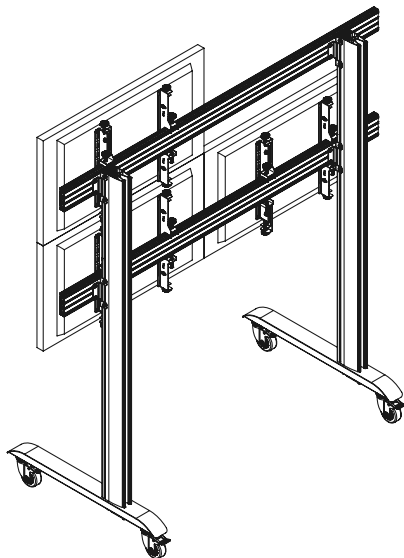
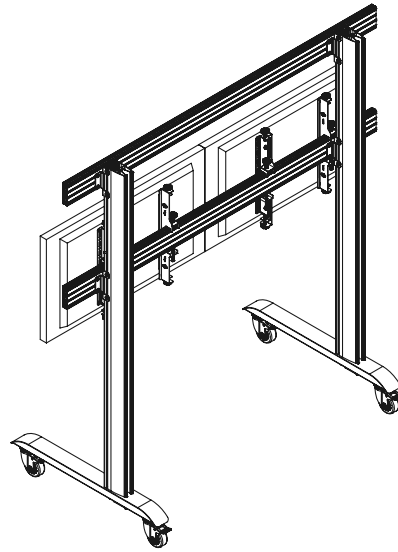
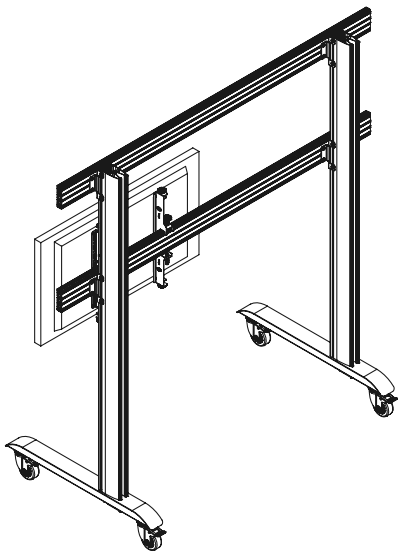
**NOTE:** If mounting 3 or more screens across, mount the first screen centrally onto the bottom rail.

7

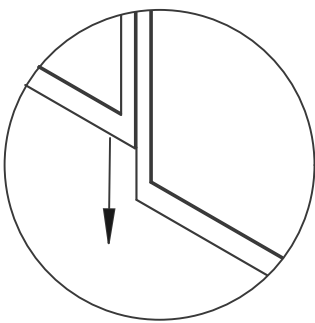
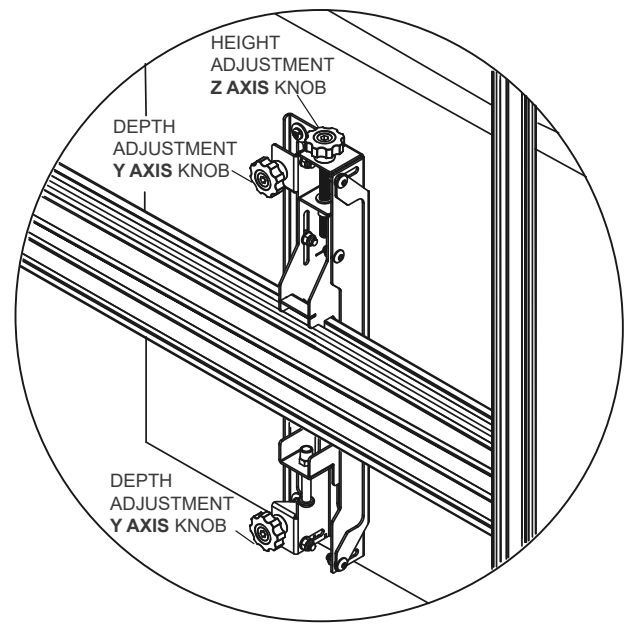
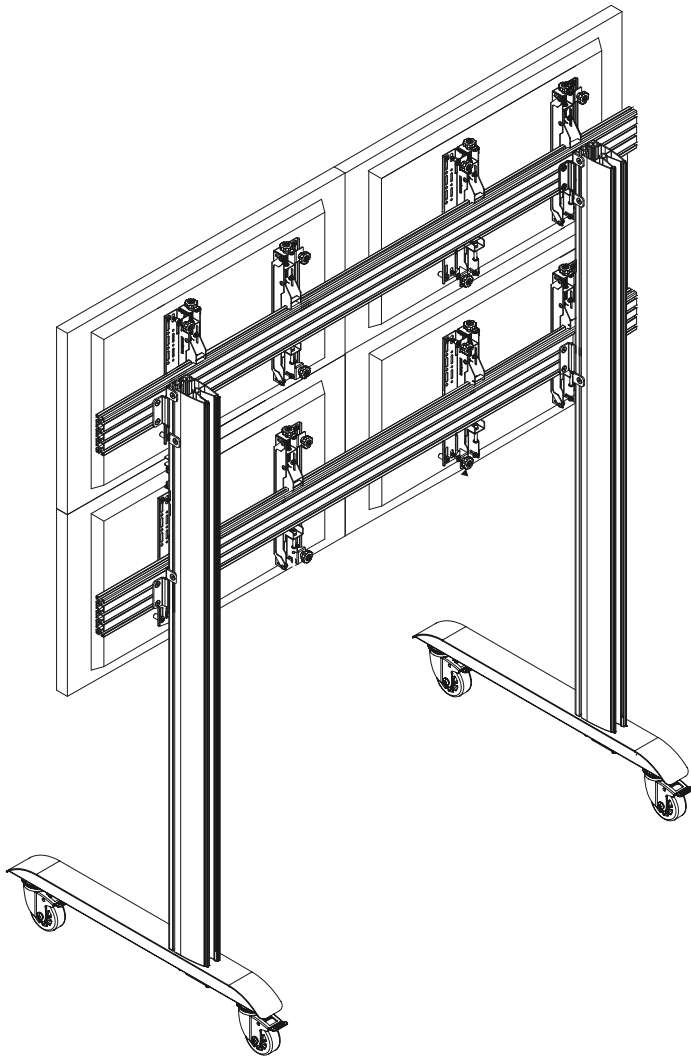
### Hook on the remaining flat screens

After mounting each screen use the Y & Z micro-adjustment knobs on the interface arms to level and align screen\* (see next page).

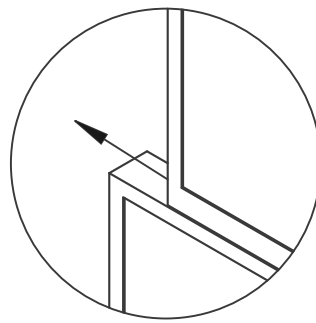
*\*Only applicable when using the BT8390-VESA400MAF or BT8390-VESA400MAP interface arms*



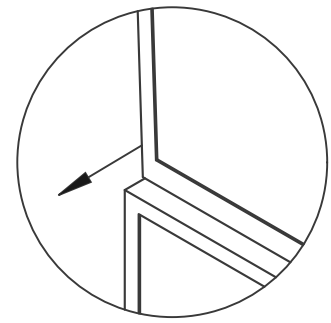
Using a level, align the flat screen to the floor using the Z axis adjustment knobs.  
 Use the Y axis knobs to ensure flat screen is perpendicular with the floor.



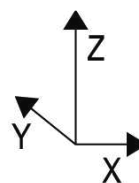
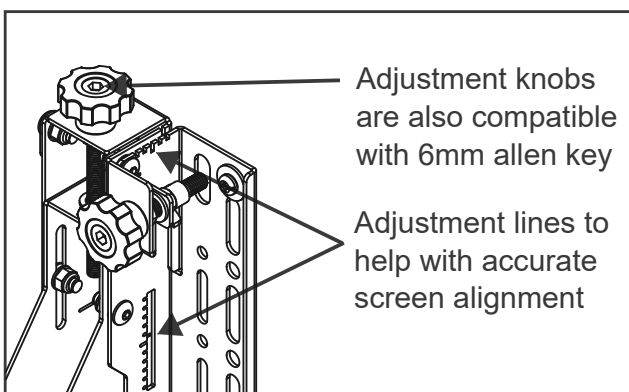
**Height Adjustment (Z axis knobs)**  
to align bottom/top of screens



**Lateral Adjustment**  
to align sides of screens



**Depth Adjustment (Y axis knobs)**  
to align front of screens



**Note:** Light pressure in the desired direction of travel will assist in the adjustment of knobs when using heavier screens

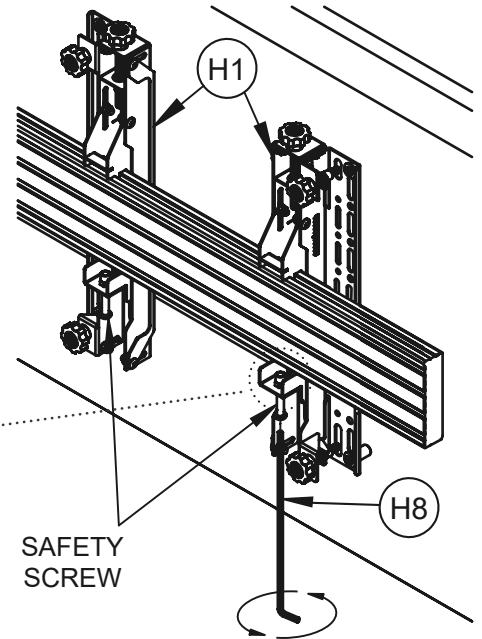
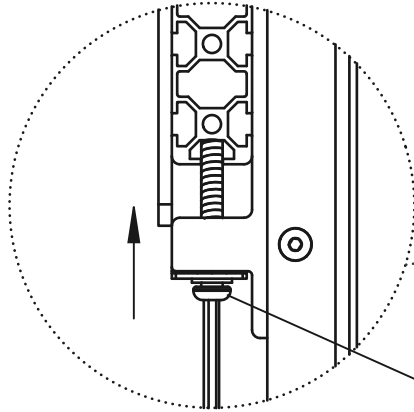
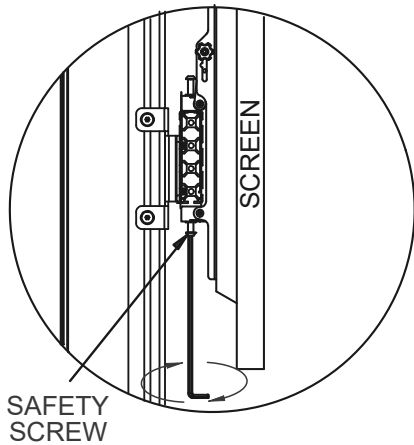
**BT8390-VESA400MAF**  
 Total Y axis adjustment is 20mm  
 Total Z axis adjustment is +/-25mm

**BT8390-VESA400MAP**  
 Total Y axis adjustment is 20mm  
 Total Z axis adjustment is +/-20mm

8

### Secure Screens

Once screens are aligned, tighten the safety screws on the bottom of interface arms (item H1).

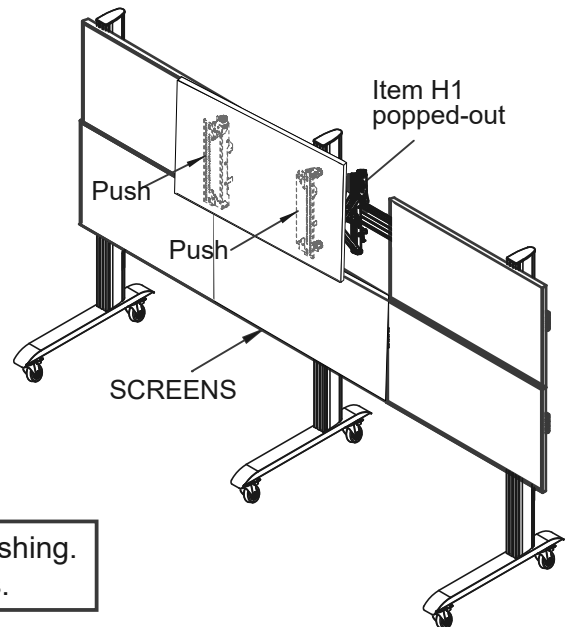


9

### Servicing Screens (*Pop-Out Arms only*)

Push centrally at the left and right of the screen to pop-out the mount. The screen will rest in the 'open' position for servicing.

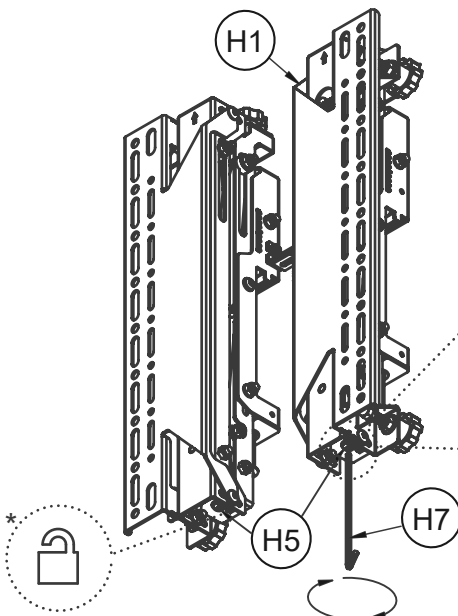
**Note:** Ensure pop-out function is not disabled (see below).



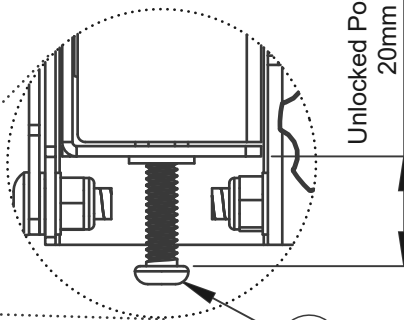
**IMPORTANT:** Be careful not to damage the screen when pushing. Keep hold of the screen as it moves outwards.

### Disabling Pop-Out Function (*optional*)

To prevent interface arms from popping out, fully insert and tighten the M6 x 35mm screw (item H5) at the padlock\* symbol at the bottom of interface arms (items H1).

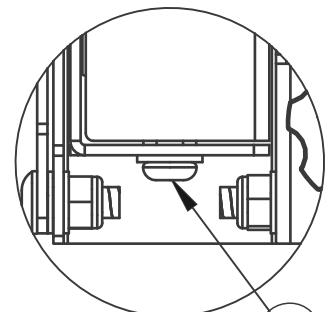


Unlocked Position



Unlocked Position  
20mm

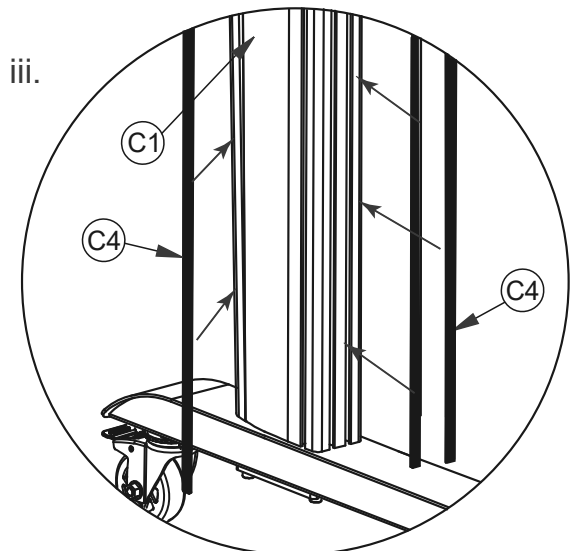
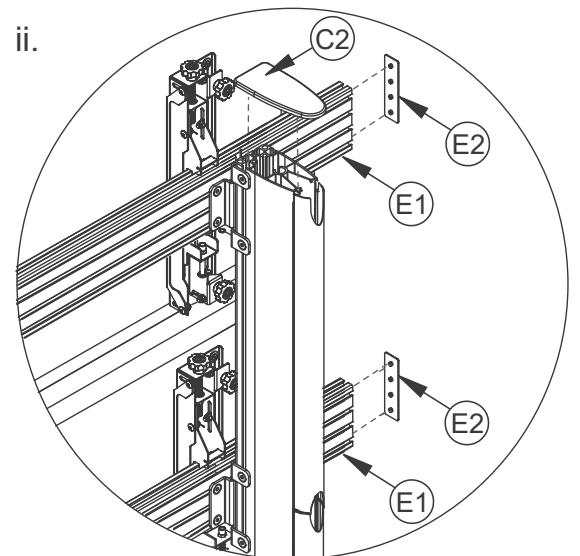
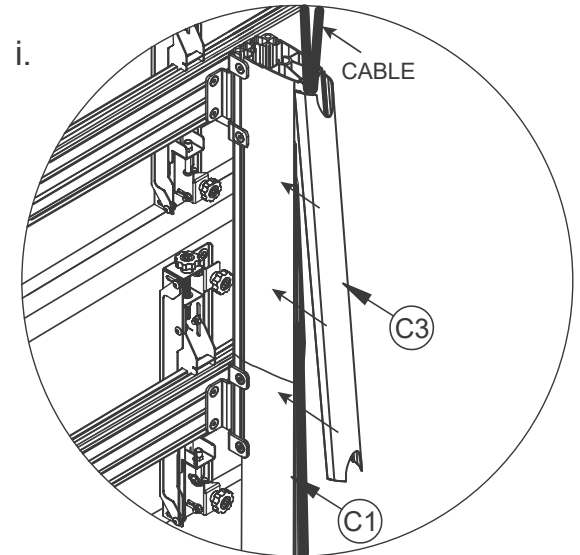
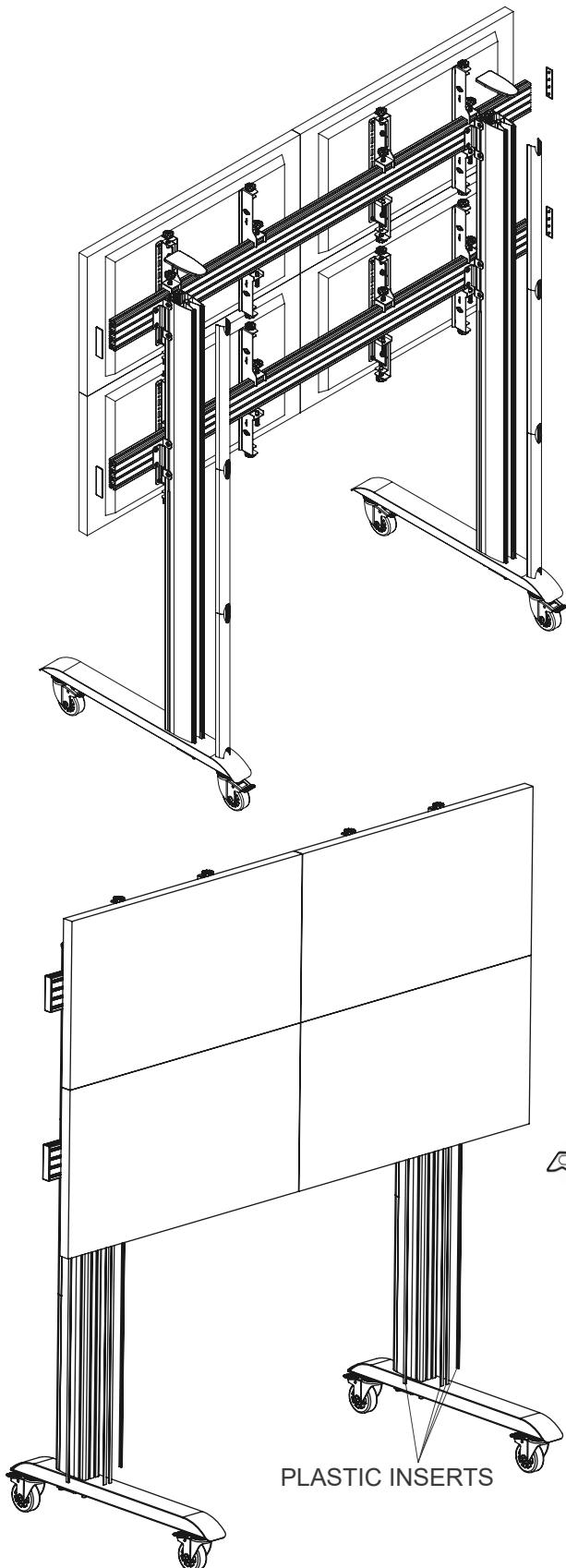
Locked Position  
part H5 fully inserted



**IMPORTANT**  
Do not fully insert item H5 when interface arms are popped out.

## Add End Caps and Cable Management Covers

- i. After screen cables are connected and routed down the back of the columns (item C1), partially clip on the cable management covers (item C3), this allows easy removal if more cables need adding. Once satisfied all cables are fitted, clip the covers on fully.
- ii. Fit end caps (items C2 & E2) to the columns and mounting rails (items C1 & E1).
- iii. With a knife, cut to length the plastic slot inserts (item C4) and insert to the front and sides of the columns (item C1).



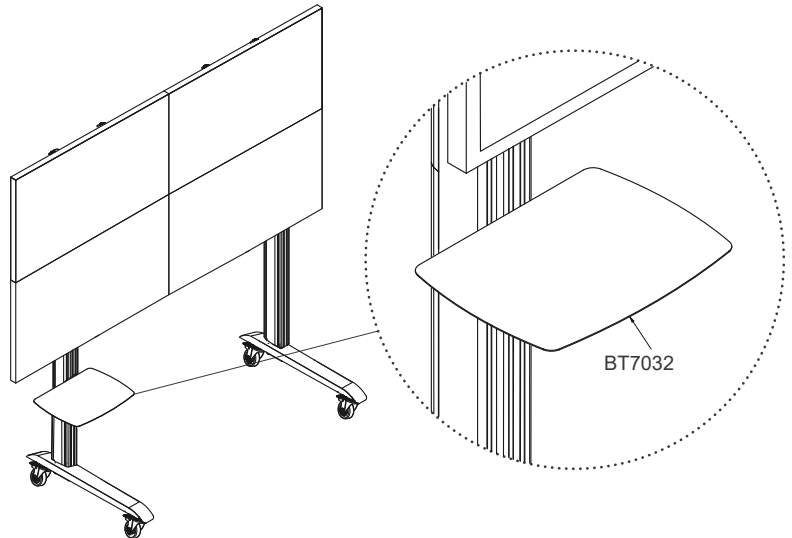
# OPTIONAL ACCESSORIES

## AV Component Shelves

Insert 2 x M8 sliding nuts (items C5) into the column (item C1) front slots.

Mount a B-Tech Shelf (*BT7032* / *BT7033* / *BT7863*) by fastening the M8 x 12mm screws (item C6) to the M8 sliding nuts (item C5).

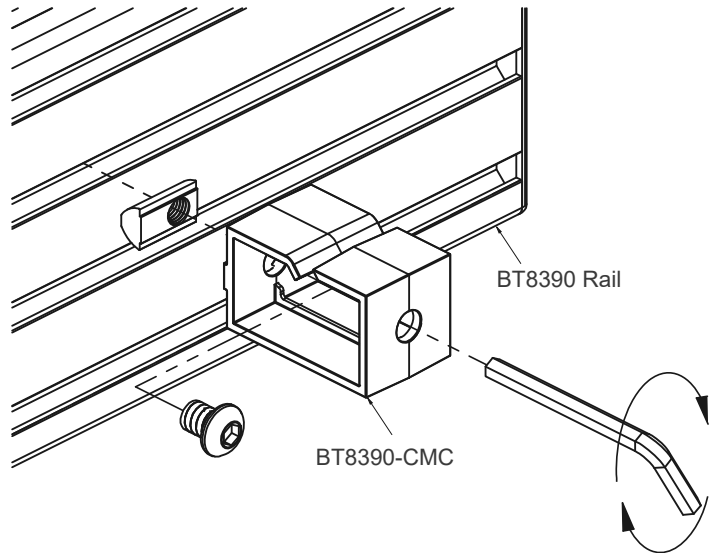
Use a *BT8390-SA* shelf adaptor to mount shelves to the horizontal mounting rail (item E1).



## Cable Management Clip

### BT8390-CMC

Attach the *BT8390-CMC* cable management clips directly to the mounting rail (item E1) to organise audio/video cables for a neat and tidy installation.

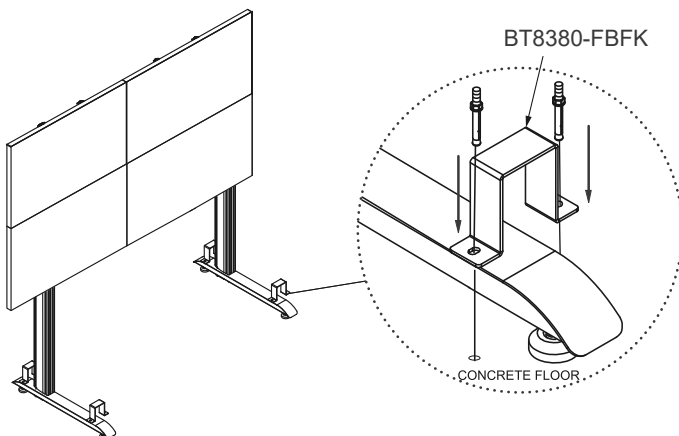


## Floor Fixing Kit

### BT8380-FBFK

Using suitable fixings and floor anchors, attach a floor base fixing bracket to the front and back of each base (item A1).

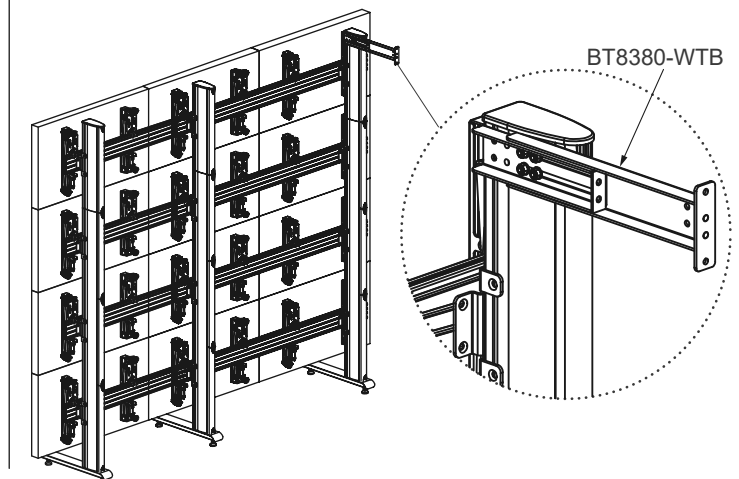
**Note:** The Floor Fixing Kit can only be used when the levelling feet are attached to the base.



## Wall Tie-Back

### BT8380-WTB

For larger fixed installations attach a *BT8380-WTB* Wall tie-back to a vertical column (item C1) and secure to a wall.





[www.btechavmounts.com](http://www.btechavmounts.com)

## **B-TECH AV MOUNTS**

### **HEAD OFFICE**

#### **B-Tech International Limited**

Bennett House, Long March, Daventry, Northants., NN11 4NR, UK

Email: [info@btechavmounts.com](mailto:info@btechavmounts.com)

©2019 B-Tech International Design and Manufacturing Limited. All rights reserved.

B-Tech AV Mounts is a division of B-Tech International Design & Manufacturing Ltd.

B-Tech, Better By Design & System X are registered trademarks of B-Tech International Design & Manufacturing Ltd.

All other brands and product names are trademarks of their respective owners.

Photographs are for illustrative purposes only. E&OE.