



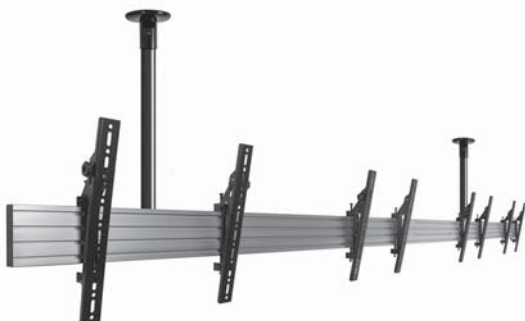
BT8332

SYSTEM X™

UNIVERSAL CEILING MOUNTED MENU BOARD INSTALLATION GUIDE & PARTS LIST

This Pack Contains 1 Ceiling Mounted Menu Board System

PLEASE KEEP THIS FOR FUTURE REFERENCE



FEATURES

- Universal multi-screen ceiling mount suitable for screens up to 50kg (per screen)
- Suitable for landscape or portrait mounting
- Interface arms feature levelling screws to align and height adjust the screens
- Safety screws help prevent unauthorised removal of screens
- All mounting hardware included

This assembly manual covers different installations. Please note that some parts or procedures shown may not be required for installation.



PER SCREEN

CONTENTS

Installation Safety Notes.....	2
Parts List.....	4
Installation Instructions.....	6
Product Dimensions.....	15
B-Tech Contact Details.....	16

INSTALLATION TOOLS REQUIRED

Crosshead screwdriver



Drill



Drill bit



Spanner



Pencil



Level
(Optional)



B-TECH AUDIO VIDEO MOUNTS

www.btechavmounts.com

INSTALLATION SAFETY INSTRUCTIONS



CAUTION: This mount is intended for use only with the maximum weights indicated.

Use with flat screens heavier than the maximum indicated may result in instability causing possible injury.

Do not attempt to install this product until all instructions and warnings have been read and properly understood. Please keep these instructions for future reference. Please check carefully to make sure there are no missing or defective parts - defective parts must never be used. B-Tech International Limited, its distributors and dealers are not liable or responsible for damage or injury caused by improper installation, improper use or failure to observe these safety instructions. In such cases, all guarantees will expire.

General

B-Tech International Ltd recommends that a professional AV installer or other suitably qualified person install this product. Great care must always be taken during installation as most AV equipment is of a fragile nature, possibly heavy and easily damaged if dropped.

If you do not fully understand the instructions or are not sure how to install this product safely, then please consult a professional for advice and/or to install this product for you. Failure to mount this product correctly may cause serious injury or death both during installation and at any time thereafter.

Do not mount any AV equipment that exceeds the specific weight limit of the product you are installing. This weight limit will be clearly stated on each product and its packaging and will vary from product to product.

Product location

Please pay careful attention to where this product is located. Some ceilings are not suitable for installation. If located in a public or frequently populated area ensure that the product is out of the immediate reach of people. If any AV equipment is to be suspended over the likely path or location of people then great care should be taken to secure all parts of the installation from falling. When drilling holes it is essential to avoid contact with electrical cables and water or gas pipes contained within. Use of a good quality live wire detector and hidden object locator is therefore recommended. Only drill into structures when you are sure it is safe to do so.

Fixing hardware

It is highly recommended that all fixing screws be used where supplied and that the purpose of all other fixing hardware is fully understood. In some cases more AV equipment fixing hardware will be supplied to accommodate different models of equipment and set up configurations. The installer must be satisfied that any supplied fixing hardware is suitable for each specific installation. If any fixing screws or included hardware are deemed not sufficient for a safe installation then please consult a professional or your local hardware store.

Hazard limitation

When routing cables take advantage of any built in cable management features that the product might provide and ensure that all cables are tidy and secure. Check to see that any moving aspect of the product can do so unhindered by any cabling. Some products have moving parts and the potential to cause injury through the crushing or trapping of fingers or other body parts. Particular attention to the nature of moving parts is required especially when assembling installing and adjusting during set up.

Immediately after installations double-check that the work done is safe and secure. Double-check all necessary fixings are present and are of ample tightness.

It is recommended that periodic inspections of the product and its fixing points are made as frequently as possible to ensure that safety is maintained. If in doubt consult a professional AV installer or other suitably qualified person.

CS

Společnost B-Tech International Ltd. doporučuje provést instalaci tohoto produktu prostřednictvím odborného instalátora AV či jinak způsobilé osoby. Společnost B-Tech International Ltd, její distributoři a prodejci nenesou odpovědnost za škody nebo zranění způsobená nevhodnou instalací. Tento výrobek je nutno umístit do vhodné konstrukce a používat jen po uvedené maximální výšce.

DE

B-Tech International Ltd. empfiehlt, dass dieses Produkt durch einen qualifizierten AV-Techniker oder eine andere Person mit geeigneter Qualifikation installiert wird. B-Tech International Ltd, ihre Distributoren und Händler können nicht für durch fehlerhafte Montage verursachte Beschädigung oder Verletzung haftbar bzw. verantwortlich gemacht werden. Dieses Produkt muss auf eine geeignetem Untergrund montiert werden und darf nur bis zum angegebenen Höchstgewicht verwendet werden.

ES

B-Tech International Ltd. recomienda que un instalador de audio y vídeo profesional u otra persona debidamente cualificada instalen este producto. B-Tech International Ltd, sus distribuidores y concesionarios no se hacen cargo ni se responsabilizan de ningún daño o lesión provocados por una instalación inapropiada. Este producto se debe montar en una estructura adecuada y se debe utilizar soportando solamente hasta el peso máximo indicado.

FR

B-Tech International Ltd. recommande de confier l'installation de ce produit à un installateur AV professionnel ou à une autre personne dûment qualifiée. B-Tech International Ltd, ses distributeurs et ses revendeurs ne sauraient être tenus responsables de tout dégât ou de toute blessure résultant d'une installation incorrecte. Ce produit doit être monté sur un support approprié et utilisé dans la limite du poids maximum indiqué.

IT

B-Tech International Ltd. consiglia di affidare l'installazione di questo prodotto a un installatore specializzato o ad altra persona adeguatamente qualificata. B-Tech International Ltd, i suoi distributori e rivenditori non accettano alcuna responsabilità nei riguardi di eventuali danni o infortuni causati da un'errata installazione. Questo prodotto deve essere fissato a una struttura idonea e utilizzato unicamente sino al peso massimo indicato.

NL

B-Tech International Ltd. adviseert om dit product te laten installeren door een professionele AV-installateur of andere hiervoor gekwalificeerde persoon. B-Tech International Ltd, haar distributeurs en dealers zijn niet aansprakelijk of verantwoordelijk voor schade of letsel die is veroorzaakt door onoordeelkundige installatie. Dit product moet worden gemonteerd aan een geschikte constructie, waarbij het aangegeven maximum gewicht niet mag worden overschreden.

PL

Firma B-Tech International Ltd. zaleca, aby ten produkt był instalowany przez profesjonalnych instalatorów AV lub inny odpowiednio przeszkolony personel. Firma B-Tech International Ltd, jej dystrybutorzy i dealerzy nie ponoszą odpowiedzialności za uszkodzenia lub obrażenia ciała powstałe w wyniku nieprawidłowej instalacji. Niniejszy produkt musi być zamontowany na odpowiedniej powierzchni, a podczas użytkowania nie wolno przekraczać podanego maksymalnego obciążenia.

PT

A B-Tech International Ltd. recomenda que a instalação deste produto seja efectuada por um instalador de AV profissional ou outra pessoa devidamente habilitada. A B-Tech International Ltd. e os seus distribuidores e concessionários não são responsáveis por danos ou lesões causados por uma instalação incorrecta. Este produto tem de ser montado numa estrutura adequada e utilizado somente até ao peso máximo indicado.

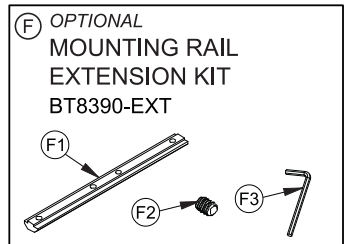
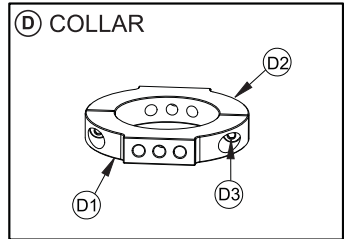
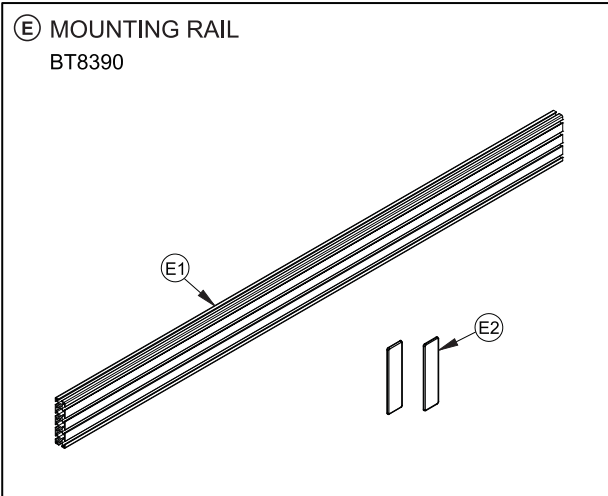
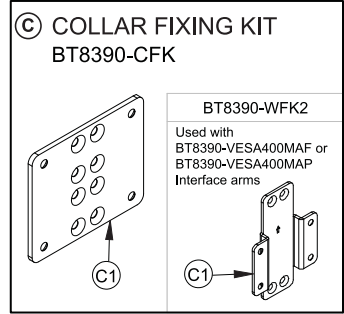
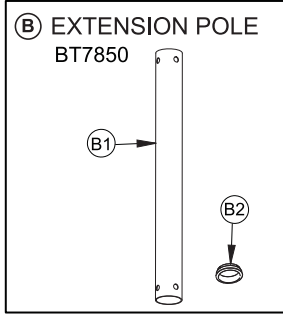
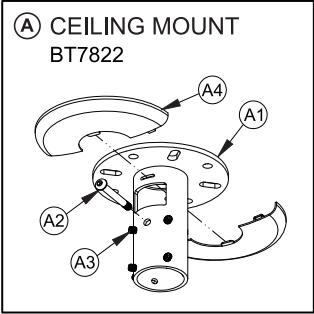
RU

Компания B-Tech International Ltd. рекомендует, чтобы установка данного изделия производилась инженером по установке аудио-видеотехники или другим специалистом с соответствующей квалификацией. Компания B-Tech International Ltd., ее дистрибьюторы и дилеры не несут ответственности за повреждения или травмы, полученные в результате неправильной установки. Данное изделие должно

توصي بي-تيك للتجارة الدولية المحدودة بأن شخص محترف في تركيب ال AV او شخص مؤهل تأهيلا مناسباً لتركيب هذا المنتج. بي-تيك للتجارة الدولية، موزعيها والتجار ليست عرضة أو مسؤولة عن الأضرار أو الإصابات الناجمة عن تركيب غير سليم، والاستخدام غير السليم أو عدم مراعاة هذه التعليمات للسلامة. يجب أن يتم تركيب هذا المنتج في بنية مناسبة ويجب استخدام فقط لدعم الحد الأقصى للوزن المشار إليه.

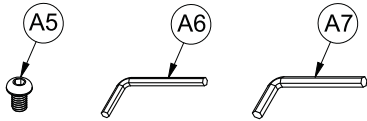
BT8332 PARTS LIST

Due to the multiple configurations available the quantity for each option below is dependent on the mount ordered.

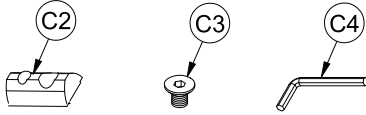


(G) INTERFACE ARMS				BT8390-VESA400MAF
BT8390-VESA200F	BT8390-VESA200T			
BT8390-VESA400F	BT8390-VESA400T			

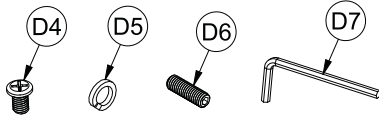
Ceiling Fixing Kit



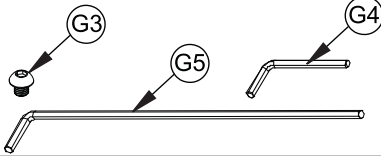
Collar Fixing Kit



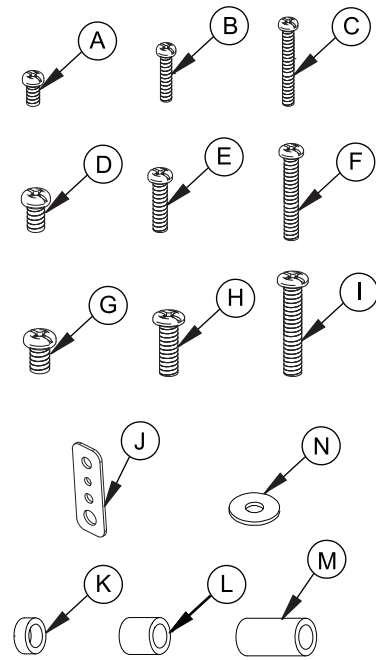
Collar Kit



Interface Arm Kit



Screen Interface Kit



CEILING PLATE

REF	PART NAME	QTY PER PACK
A1	CEILING PLATE	1
A2	M8 x 60mm HEX SOCKET SCREW	1
A3	M8 x 8mm GRUB SCREW	8
A4	CEILING PLATE COVER	2
A5	M8 x 12mm CSK SCREW	1
A6	4AF HEX KEY	1
A7	5AF HEX KEY	1

EXTENSION POLE

REF	PART NAME	QTY PER PACK
B1	EXTENSION POLE	1
B2	END CAP	1

COLLAR FIXING KIT

REF	PART NAME	QTY PER PACK
C1	COLLAR FIXING PLATE	1
C2	M8 SLIDING NUT	4
C3	M8 x 12mm CSK SCREW	8
C4	3AF HEX KEY	1

COLLAR

REF	PART NAME	QTY PER PACK
D1	HALF COLLAR A	1
D2	HALF COLLAR B	1
D3	M6 x 20mm SCREW	2
D4	M8 x 12mm SCREW	4
D5	M8 SPRING WASHER	4
D6	M8 x 25mm GRUB SCREW	2
D7	4AF HEX KEY	1

MOUNTING RAIL

REF	PART NAME	QTY PER PACK
E1	MOUNTING RAIL	1
E2	END CAP	2

EXTENSION KIT (OPTIONAL)

REF	PART NAME	QTY PER PACK
F1	JOINING BAR	6
F2	M6 x 8mm GRUB SCREW	24
F3	3AF HEX KEY	1

INTERFACE KIT

REF	PART NAME	QTY PER PACK
G1	LEFT INTERFACE ARM	1
G2	RIGHT INTERFACE ARM	1
G3	M6 x 6mm HEX SCREW**	4
G4	4AF HEX KEY**	1
G5	5AF LONG HEX KEY*	1

SCREEN FIXING KIT

REF	PART NAME	QTY PER PACK
A	M4 x 12mm SCREW*	4
B	M4 x 25mm SCREW*	4
C	M4 x 40mm SCREW*	4
D	M6 x 16mm SCREW	4
E	M6 x 25mm SCREW	4
F	M6 x 40mm SCREW	4
G	M8 x 16mm SCREW	4
H	M8 x 25mm SCREW	4
I	M8 x 40mm SCREW	4
J	MULTIWASHER*	4
K	5mm SPACER	4
L	13mm SPACER	4
M	24mm SPACER	4
N	M6 WASHER***	4

*Not included with the BT8390-VESA400MAF

**Not included with the BT8390-VESA200F, BT8390-VESA400F or BT8390-VESA400MAF

***Only supplied with the BT8390-VESA400MAF

Please refer to individual parts list for more information

PLEASE KEEP THIS FOR FUTURE REFERENCE

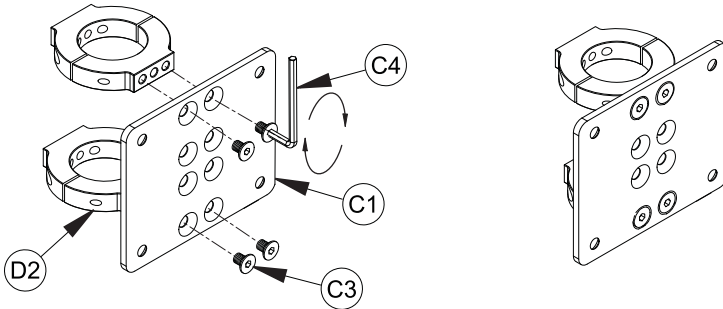
INSTALLATION INSTRUCTIONS

Note: To extend the mounting rails see extension assembly on page 14

1 A

Collar assembly using the BT8390-CFK

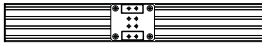
i. Attach the collars (part D2) onto the collar fixing plate (part C1).



ii. Insert the M8 sliding nuts (part C2) into the mounting rail (part E1). 2 in the top slot, 2 in the bottom slot for each collar fixing plate used.

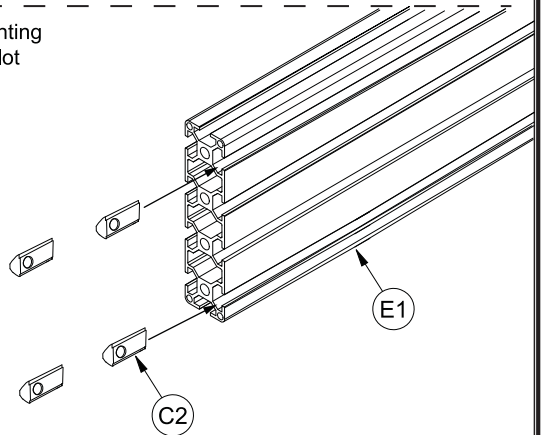
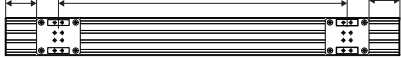
If necessary combine mounting rails using the BT8390-EXT (see page 14).

Using a single ceiling mount, position collar fixing plate centrally on the rail.



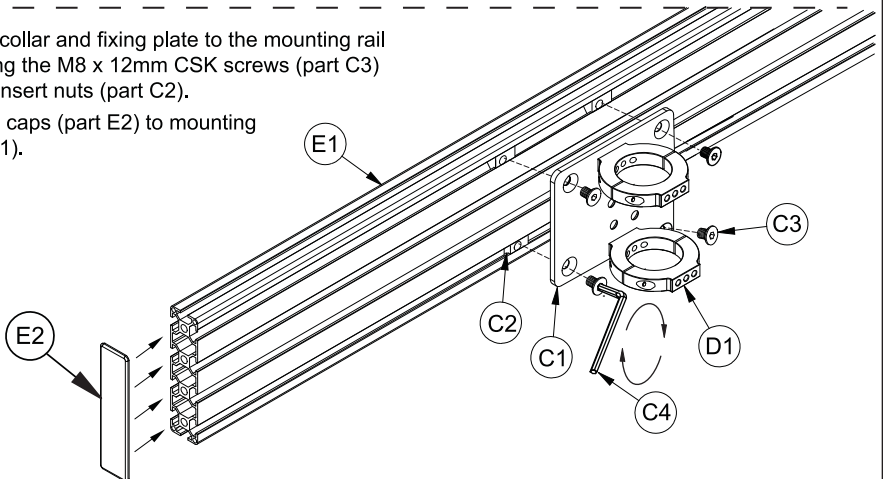
Using two or more ceiling mounts measure equal distances between the collar fixing plates on the rail.

Note the distance apart for ceiling mount
Max: 1500mm



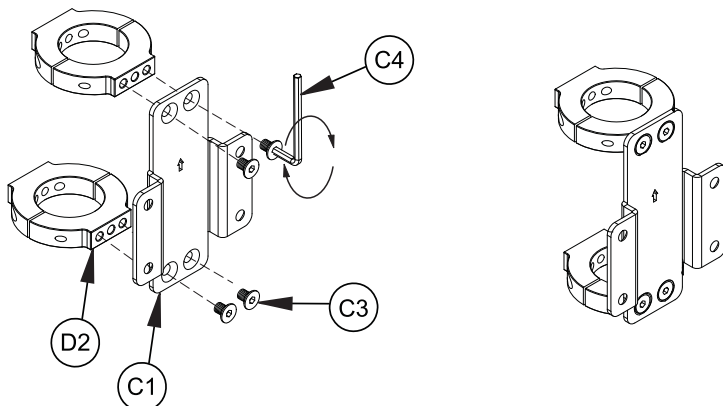
iii. Attach the collar and fixing plate to the mounting rail by fastening the M8 x 12mm CSK screws (part C3) to the M8 insert nuts (part C2).

iv. Attach end caps (part E2) to mounting rail (part E1).



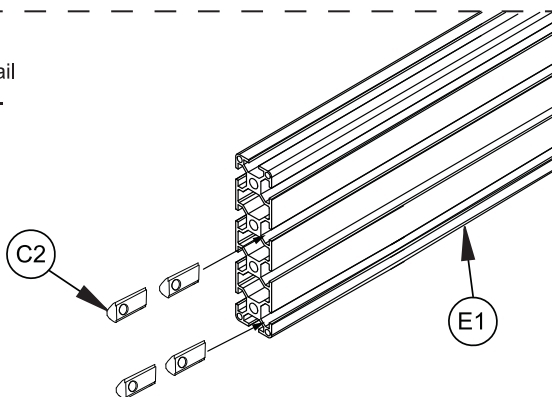
1 B**Collar assembly using the BT8390-WFK2**

i. Attach collars (part D2) to the BT8390-WFK2 (part C1).



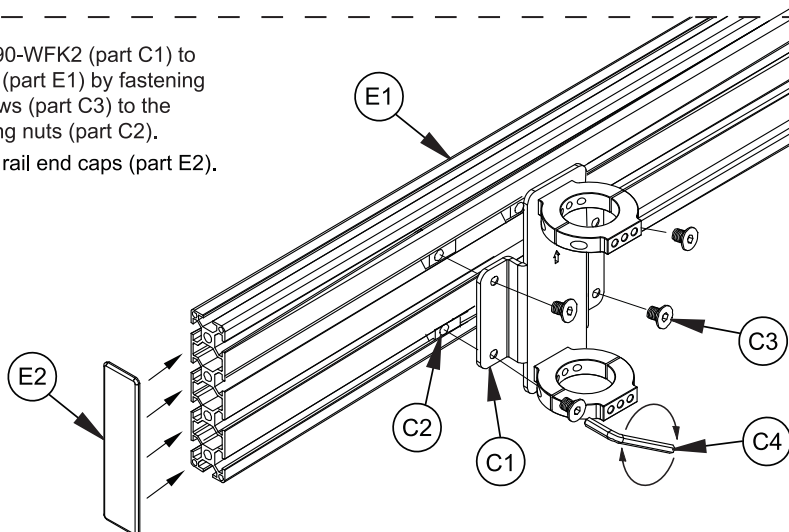
ii. Insert 2 x M8 sliding nuts (part C2) into the second slot from the top on the mounting rail and 2 x M8 sliding nuts into the bottom slot.

If necessary combine mounting rails using the BT8390-EXT (see page 14).



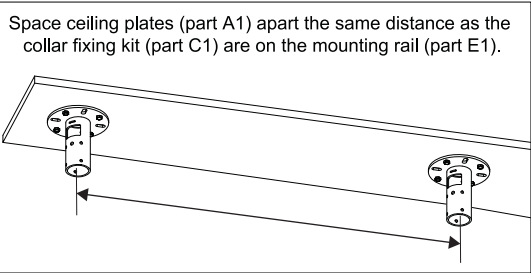
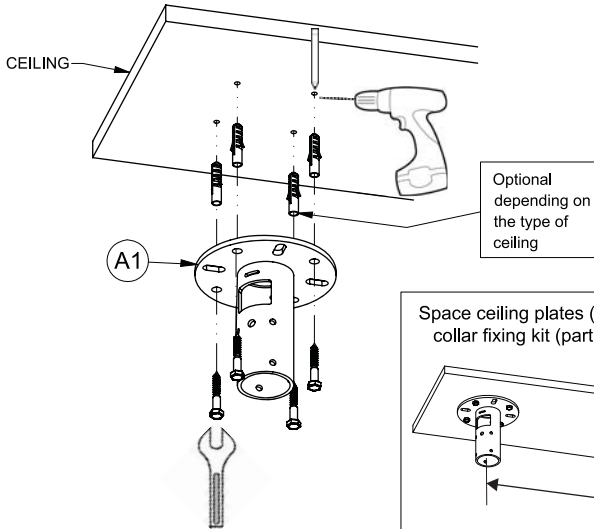
iii. Attach the BT8390-WFK2 (part C1) to the mounting rail (part E1) by fastening M8 x 12mm screws (part C3) to the inserted M8 sliding nuts (part C2).

iv. Attach mounting rail end caps (part E2).

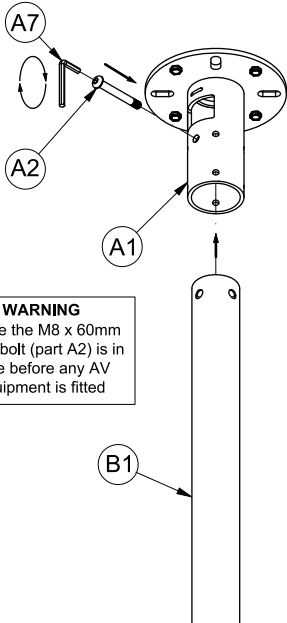


2**Fix Ceiling Plate to the ceiling**

Fix the ceiling plate(s) (part A1) to the ceiling using suitable fixings (*not supplied*).

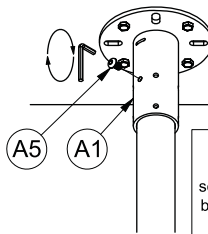
**3****Attach Pole to Ceiling Plate**

i. Insert the extension pole (part B1) into the mount (part A1) and secure in place using the M8 x 60mm screw (part A2) and 5mm hex key (part A7).

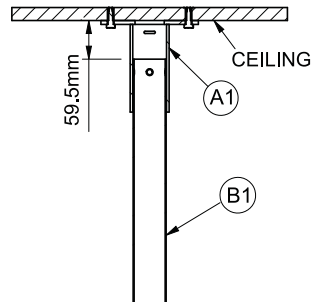


WARNING
Ensure the M8 x 60mm safety bolt (part A2) is in place before any AV equipment is fitted

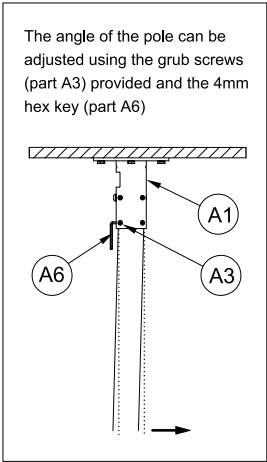
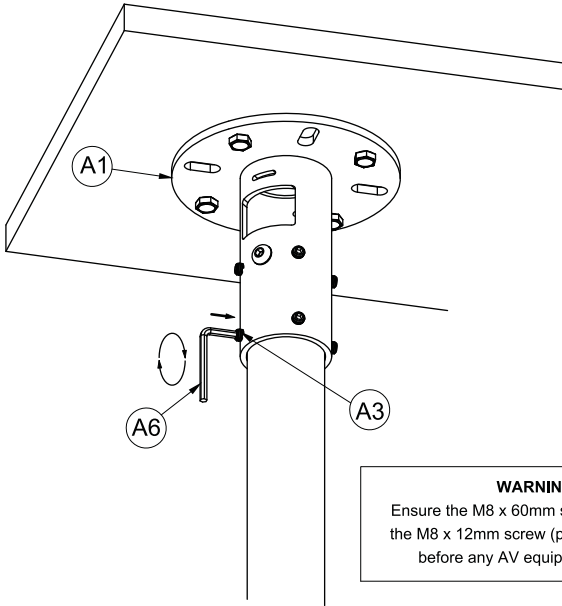
OPTIONAL
M8 x 60mm screw (part A2) can be replaced with M8 x 12mm screw (part A5) to prevent cables being obstructed.



WARNING
Ensure the M8 x 12mm screw (part A5) is in place before any AV equipment is fitted

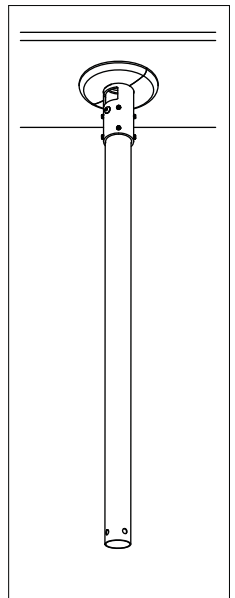
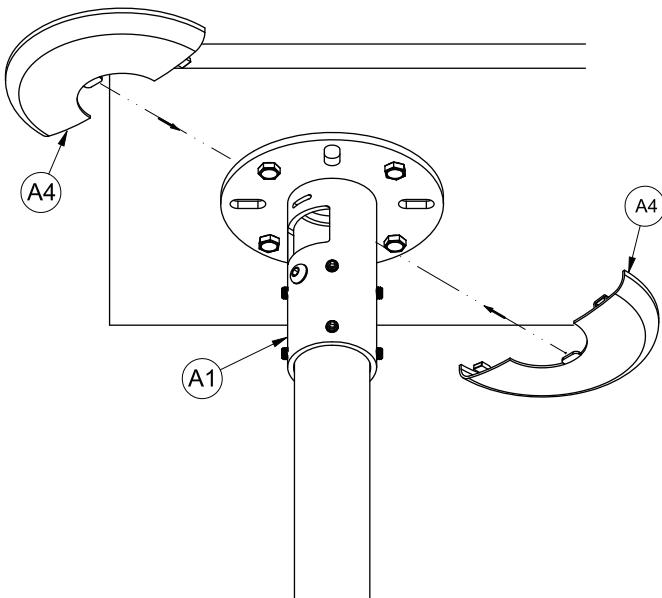
CEILING MOUNTED

- ii. Tighten the M8 x 8mm grub screws (part A3) using the 4mm hex key (part A6).



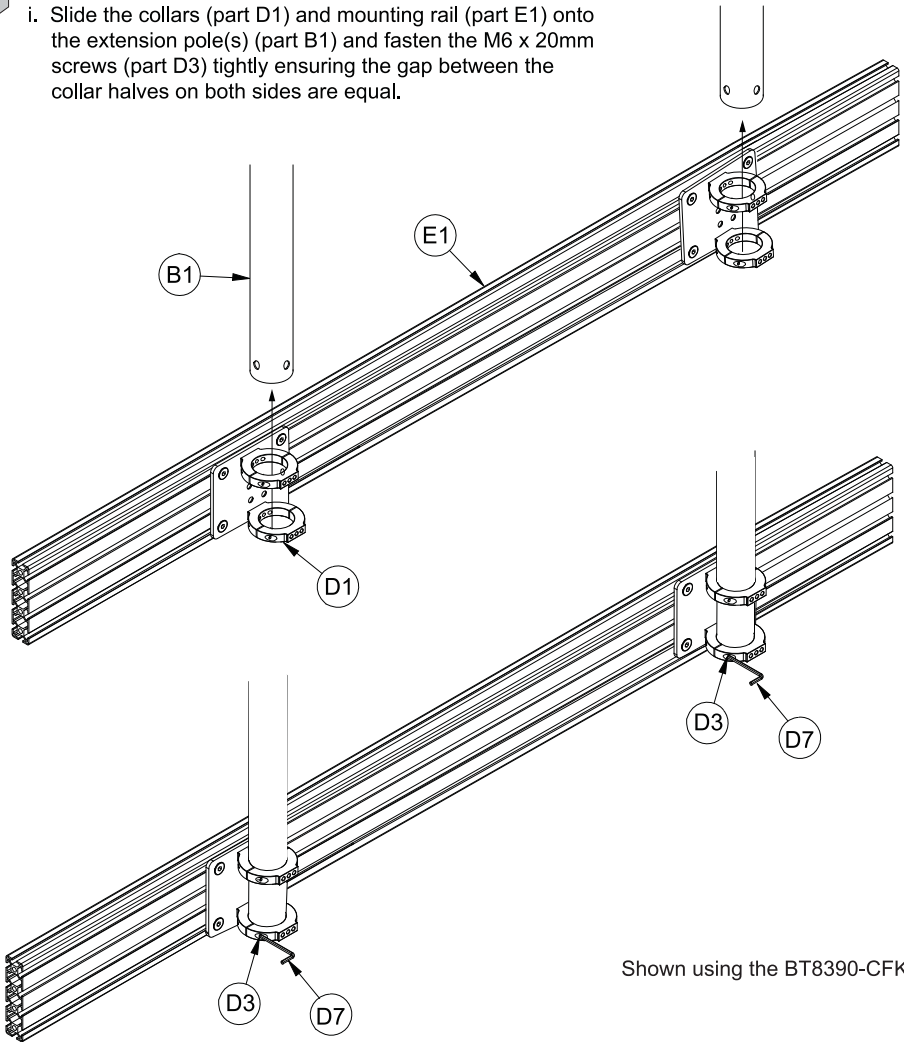
WARNING
Ensure the M8 x 60mm screw (part A2) or the M8 x 12mm screw (part A5) is in place before any AV equipment is fitted

- iii. Attach ceiling plate covers (part A4) together around the ceiling plate (part A1).



Mounting Rail to Pole(s)

- i. Slide the collars (part D1) and mounting rail (part E1) onto the extension pole(s) (part B1) and fasten the M6 x 20mm screws (part D3) tightly ensuring the gap between the collar halves on both sides are equal.



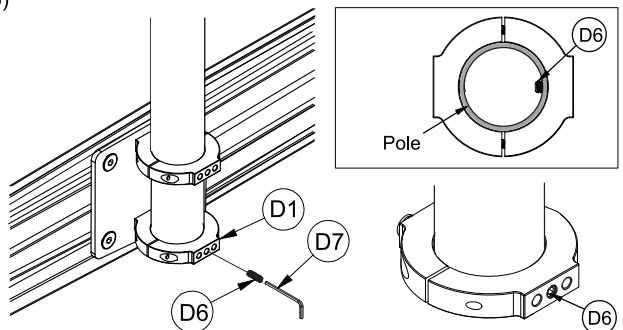
Shown using the BT8390-CFK

- ii. Two M8 x 25mm grub screws (part D6) are provided for extra safety.

At least one M8 x 25mm grub screw must be set in place before any AV equipment is fitted.

The Ø50mm pole may be drilled through to accommodate these safety grub screws or use the existing holes in the pole.

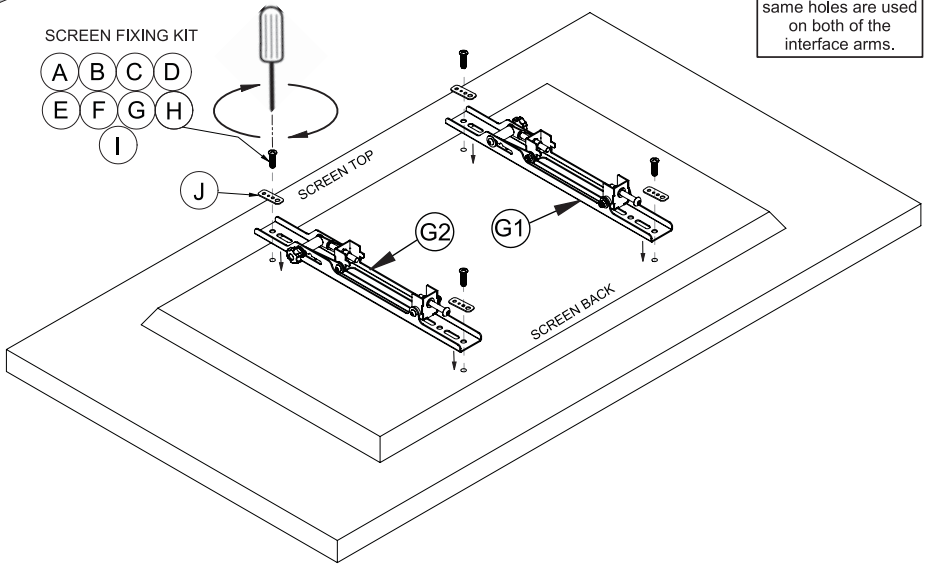
Stop tightening the grub screw once the head of the M8 x 25mm grub screw is flush with the surface of the collar.



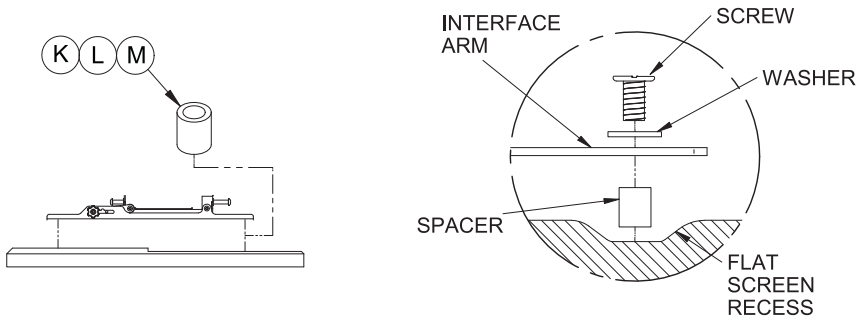
5A

Attach Interface Arms to Screen

NOTE: Ensure the same holes are used on both of the interface arms.

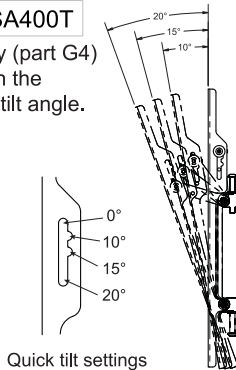
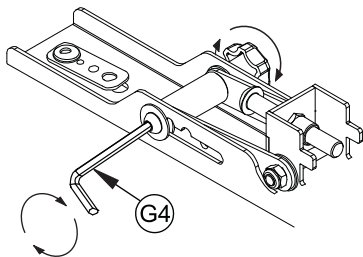


Use spacers for screens with recessed fixings

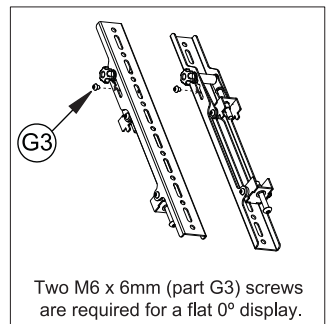


BT8390-VESA200T / BT8390-VESA400T

For tilt adjustment, use the 4AF hex key (part G4) to loosen the screw and thumbwheel on the interface arms. Re-tighten screw to fix tilt angle.



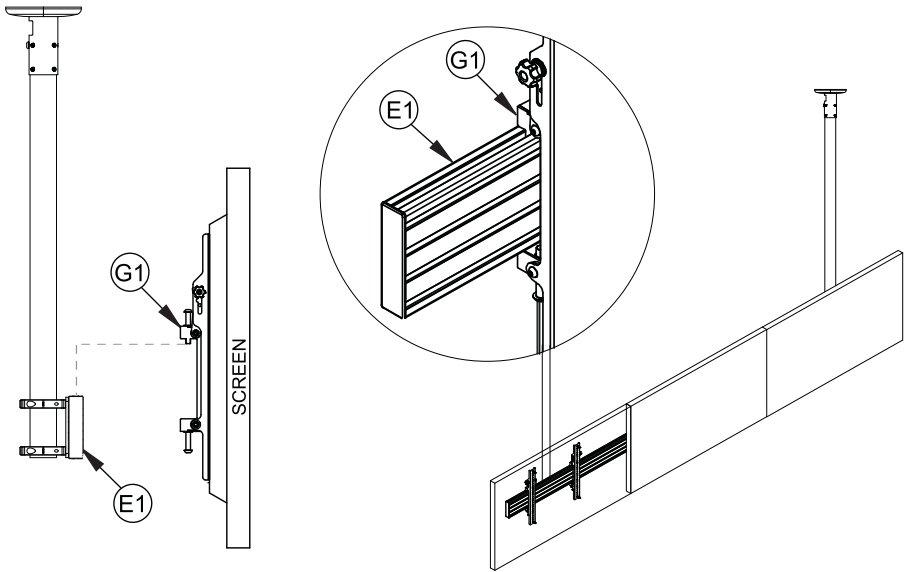
Quick tilt settings



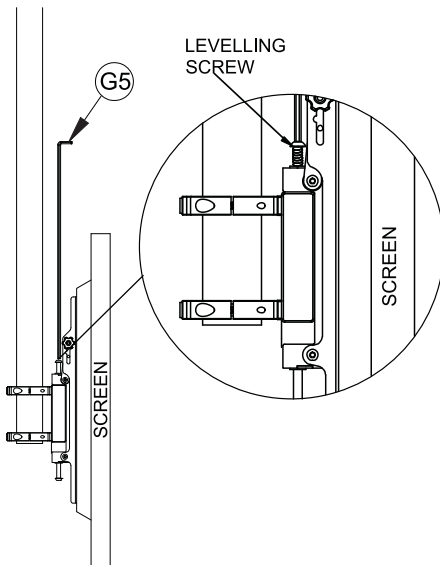
Two M6 x 6mm (part G3) screws are required for a flat 0° display.

Hook Screens onto Mounting Rail

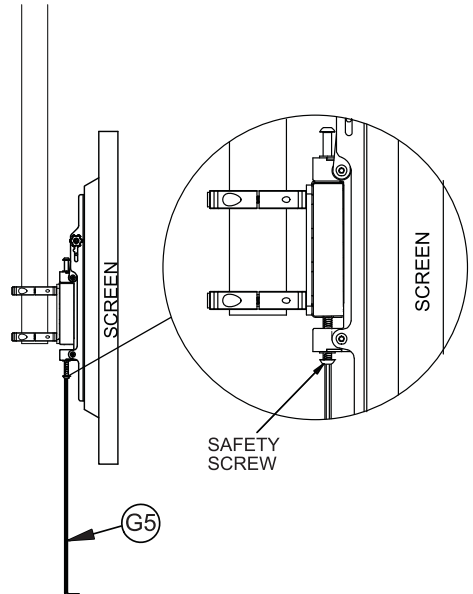
i. Hook middle screen onto mounting rail, followed by the remaining screens.



ii. If necessary adjust top levelling screws to align screens.

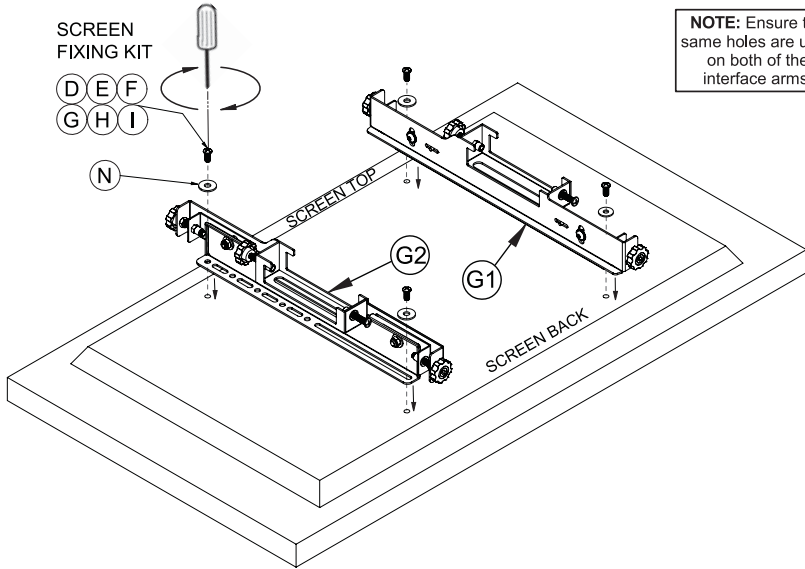


iii. Secure mount by tightening safety screw on the bottom of each interface arm.



5B

Installing Screens using the BT8390-VESA400MAF



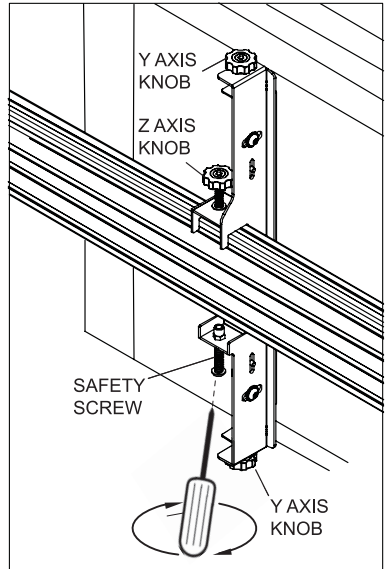
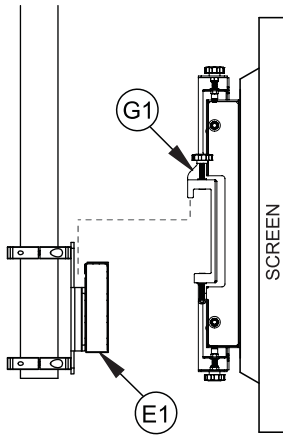
NOTE: Ensure the same holes are used on both of the interface arms.

6B

Hook Screens onto Mounting Rail

Use the Y & Z micro-adjustment knobs on interface arms to align screens.

When the screens are all positioned correctly, tighten the safety screws on the bottom of the interface arms (parts G1 & G2) to secure in position.



Total Z axis adjustment is 13mm
Total Y axis adjustment is 20mm

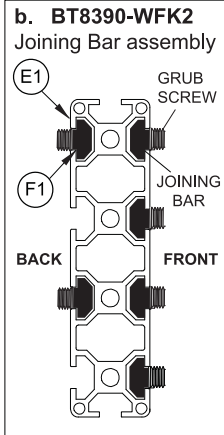
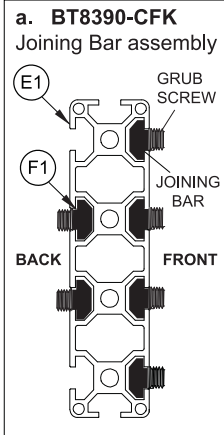
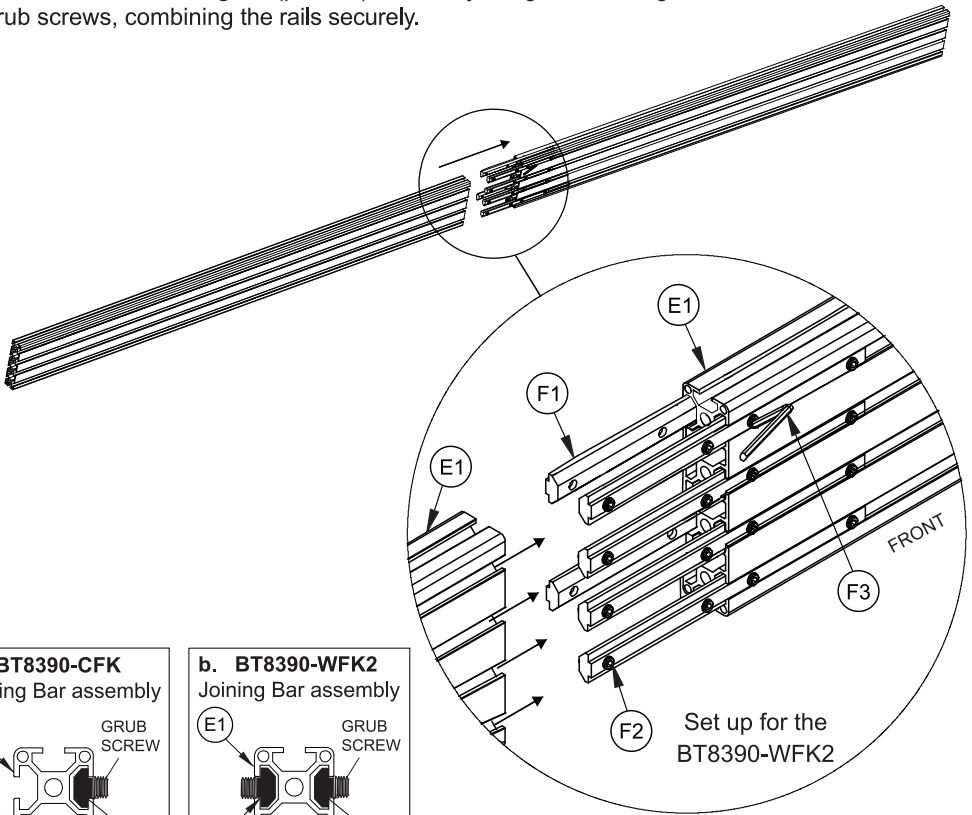
NOTE: Light pressure in the desired direction of travel will assist in the adjustment of knobs when using heavier screens

EXTENDING THE MOUNTING RAIL

To extend the length of the Menu Board, use the BT8390-EXT to combine mounting rails

Optional: Combining Mounting Rails using the BT8390-EXT

- i. On the intended front facing side of the mounting rail (part E1) insert 4 x joining bars (part F1) half-way into each slot.
- ii a. *Using the **BT8390-CFK**.* On the back side of the rail, insert 1 x joining bar in the second slot and 1 x joining bar in the third slot on the mounting rail.
- ii b. *Using the **BT8390-WFK2**.* On the back side of the rail insert 1 x joining bar in the top slot and 1 x joining bar in the third slot on the mounting rail.
- iii. Loosely fasten the 2 grub screws (part F2) on each joining bar fixing it to the mounting rail.
- iv. Slide another mounting rail (part E1) onto the joining bars and tighten all the grub screws, combining the rails securely.



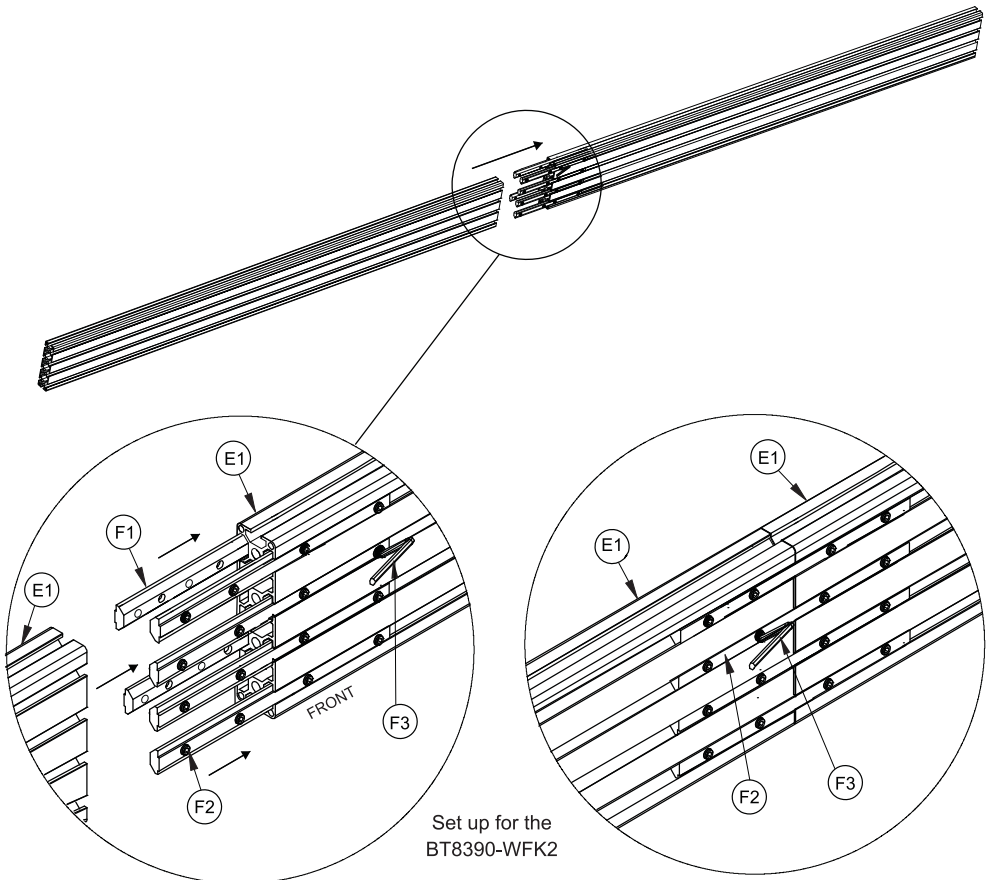
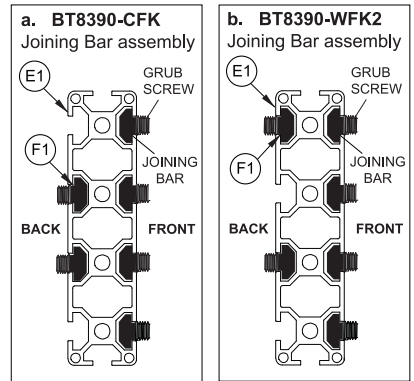
Set up for the
BT8390-WFK2

EXTENDING THE MOUNTING RAIL

To extend the length of the Menu Board, use the BT8390-EXT to combine mounting rails

Optional: Combining Mounting Rails using the BT8390-EXT

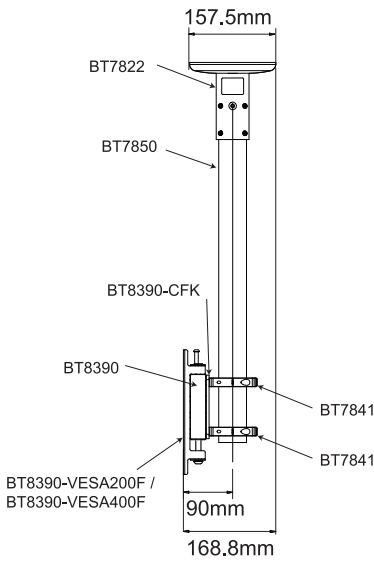
- i. On the intended front facing side of the mounting rail (part E1) insert 4 x joining bars (part F1) half-way into each slot.
- ii a. *Using the BT8390-CFK.* On the back side of the rail, insert 1 x joining bar in the second slot and 1 x joining bar in the third slot on the mounting rail.
- ii b. *Using the BT8390-WFK2.* On the back side of the rail insert 1 x joining bar in the top slot and 1 x joining bar in the third slot on the mounting rail.
- iii. Loosely fasten the 2 grub screws (part F2) on each joining bar fixing it to the mounting rail.
- iv. Slide another mounting rail (part E1) onto the joining bars and tighten all the grub screws, combining the rails securely.



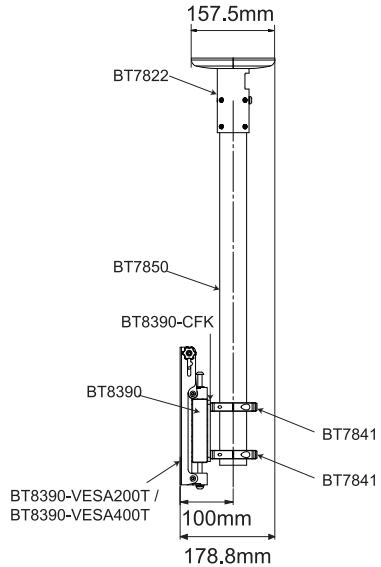
BT8332

PRODUCT DIMENSIONS

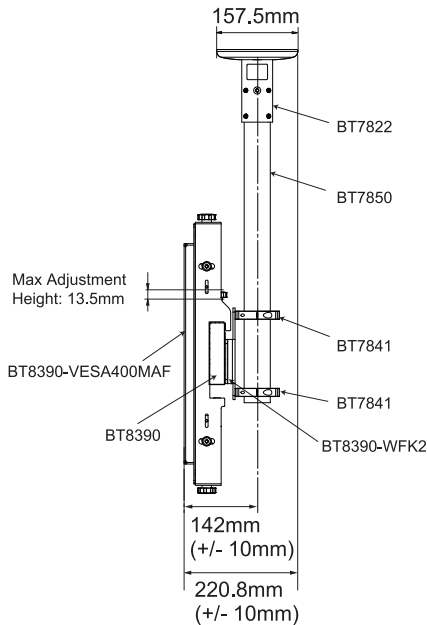
DEPTH OF INSTALL USING FIXED INTERFACE ARMS



DEPTH OF INSTALL USING INTERFACE ARMS WITH TILT



DEPTH OF INSTALL USING INTERFACE ARMS WITH MICRO-ADJUSTMENT



Note: For further dimensions please refer to the individual components parts list

THESE INSTRUCTIONS ARE INTENDED AS A GUIDE ONLY AND B-TECH ACCEPTS NO LIABILITY FOR THE ACCURACY OF THE INFORMATION CONTAINED IN THIS DOCUMENT.



www.btechavmounts.com

B-TECH AUDIO VIDEO MOUNTS

HEAD OFFICE

B-Tech International Limited

Bennett House, Long March, Daventry, Northants., NN11 4NR, UK

Email: info@btechavmounts.com

©2016 B-Tech International Limited. All rights reserved.

B-Tech Audio Video Mounts is a division of B-Tech International Limited.

B-Tech, Better By Design & System X are registered trademarks of B-Tech International Limited.

All other brands and product names are trademarks of their respective owners.

Photographs are for illustrative purposes only. E&OE.