



FOR PORTRAIT & LANDSCAPE MOUNTING

BT8321

SYSTEM X™

PORTRAIT SIGNAGE MOUNT

Designed to mount screens in a portrait orientation, the BT8321 is part of the dynamic System X Range and therefore features a contemporary, lightweight yet incredibly strong design with a high-end aesthetic quality, mounting the screen close to the wall whilst leaving enough space for easy access to screen inputs and cabling. Also suitable for mounting screens in landscape style, height adjustment screws allow mounted screens to be levelled perfectly after installation and safety screws feature as standard to help prevent unauthorised screen removal.

SPECIFICATION

Recommended screen size	up to 65"
Max load	70kg
VESA® compatibility	600 x 400
Distance from wall	54mm*
Colour (horizontal rail)	Black or Silver
Colour (VESA arms)	Black

**Please note the total dimension includes the interface adaptor arms. If only using up to VESA 400 x 400 the depth can be reduced by 6mm by removing the adaptor arms.*

FEATURES

- Can also be used for landscape installations
- Arms feature levelling screws to adjust the screen height
- Includes interface adaptor arms as standard for VESA fixings up to 600 x 400
- Pole mounted version for ceiling and floor mounting is available on request
- Safety screws help prevent unauthorised removal of screens
- Suitable for portrait mounting LG's 88BH7D 88" Ultra-Stretch Digital Signage



65"
165cm

VESA
600
x
400

70KG

← →



Close to the wall installation whilst leaving enough space for easy access to screen inputs and cabling



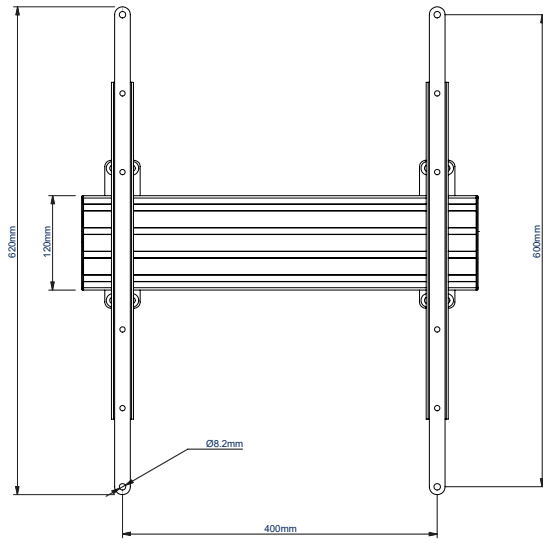
Arms feature levelling screws to adjust the screen height



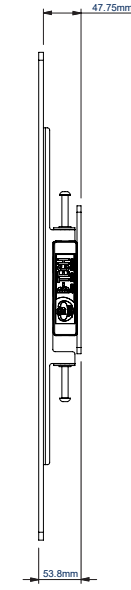
High-end aesthetic quality for a neat and tidy install



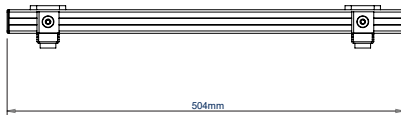
Pole mounted options are also available using System 2 poles, collars and ceiling mounts



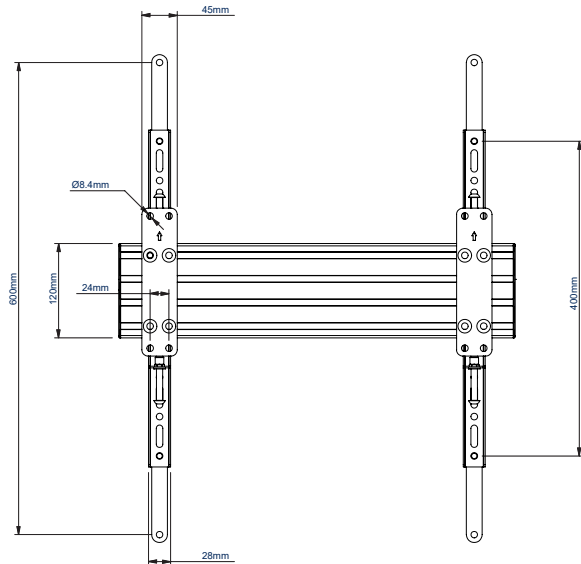
FRONT VIEW



SIDE VIEW



TOP VIEW



REAR VIEW

PACKING INFORMATION

COLOUR:	ORDER REF:	EAN CODE:	MASTER CARTON QTY:	INNER CARTON QTY:	MASTER CARTON WEIGHT:	MASTER CARTON CUBE:
Black Arms w/ Black Rail	BT8321/B	5019318501890	1	0	5kg	0.043cbm
Black Arms w/ Silver Rail	BT8321/S	5019318501616	1	0	5kg	0.043cbm

ACCESSORIES AND RELATED PRODUCTS

BT7822



Heavy Duty Ceiling Mount can be used with System 2 poles and collars to create ceiling mounted solutions

BT7850



Ø50mm Poles available in 6 different lengths; 0.25m, 0.5m, 1m, 1.5m, 2m and 3m

BT7841



Heavy Duty Accessory Collar can be used to pole mount **BT8321** when used in conjunction with **BT8390-CFK**

BT8390-CFK



Collar Fixing Kit allows **BT8321** and other System X mounts to be pole mounted

© 2019 B-Tech Professional Design & Manufacturing Ltd. All rights reserved.
 The information in this specification is for reference only. It is not intended to be used as a substitute for the manufacturer's instructions. B-Tech Professional Design & Manufacturing Ltd. is not responsible for any damage or loss of data caused by improper or unauthorized use of the product. Any reproduction or transmission of any part of this specification is strictly prohibited unless prior written permission has been granted by B-Tech Professional Design & Manufacturing Ltd. (B-Tech).
 SS-V3-BT8321-070819