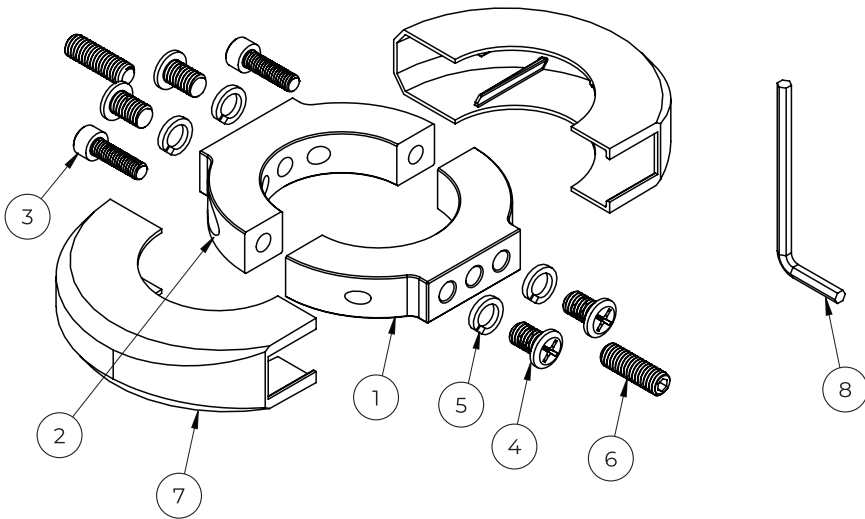


# Ø50mm (2") 2-Piece Accessory Collar

For Use With BT7850 Poles

## Installation Guide



- Allows a wide range of B-Tech mounts and accessories to be fitted to Ø50mm (2") poles
- 2-piece split design for easy installation and for retro-fitting onto existing installs
- Dual fixing points allow back-to-back installations onto a single collar
- Supplied with cover plates for a neat and tidy install (single side installs only)

| Item | Description          | Qty |
|------|----------------------|-----|
| 1    | Half Collar - Front  | 1   |
| 2    | Half Collar - Back   | 1   |
| 3    | M6 x 20mm Hex Screw  | 2   |
| 4    | M8 x 12mm Screw*     | 4   |
| 5    | M8 Spring Washer*    | 4   |
| 6    | M8 x 25mm Grub Screw | 2   |
| 7    | Cover Plate          | 2   |
| 8    | 4AF Hex Key          | 1   |

\*Spare screws and washers are provided for use on the other side of the collar if two accessories need to be attached.

# Installation Safety Instructions



**Caution:** This mount is intended for use only with the maximum weights indicated. Use with equipment heavier than the maximum indicated may result in instability causing possible injury.

B-Tech AV Mounts, it's distributors and dealers are not responsible for damage or injury caused by improper installation, improper use, modifications, installations over the specified weight capacity and/or failure to observe these safety instructions. In such cases, any warranty will expire.

It is recommended that this product should only be installed by a qualified professional / installer.

B-Tech AV Mounts does not claim any liability for any difficulties that may arise from the interpretation contained in these instructions. Failure to mount this product correctly may lead to serious injury and/or death.

Please check carefully to make sure there are no missing or defective parts - defective parts must never be used.

In the event of missing and/or defective parts, or technical questions, please contact an authorised dealer.

Pay careful attention to where this product is located, some locations are not suitable for installation. For indoor use only. It is recommended that periodic inspections of the product are made as frequently as possible to ensure that safety is maintained.

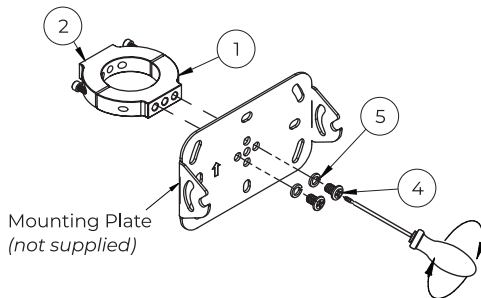
Please keep these instructions for future reference.

## Installation Instructions

There Are 2 Ways To Attach The Collar To The Pole

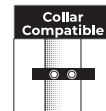
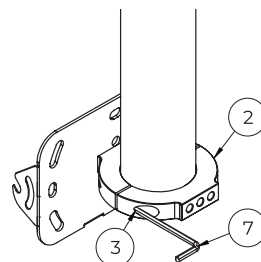
### 1A. Assembled Collar

- Attach a B-Tech mounting plate or AV accessory (not supplied) to item 1\* using items 4 & 5.
- Slide the assembled collar onto a Ø50mm pole (not supplied).



**\*Important:** Ensure to fix the mounting plate to the front half of the collar (item 1) so you have access to item 3 on the back.

- Position collar on pole and fasten item 3 tightly, ensuring the gap between the collar halves on both sides are equal.



The BT7841 is compatible with the System 2 range of professional install products and any B-Tech mount showing the above icon

### Installation Tools Required

Screwdriver

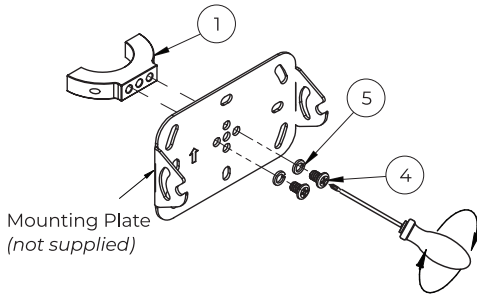


## 1B. Retro Fitting A Split Collar

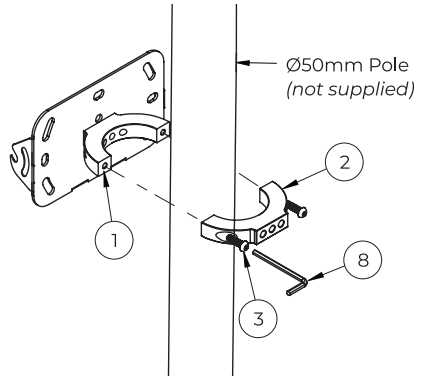
For situations where you cannot hook the collar onto the pole.

- i. Remove *item 2* from *item 1* by loosening *item 3*.
- ii. Attach a B-Tech mounting plate or AV accessory (not supplied) to *item 1\** using *items 4 & 5*.
- iii. Fit *items 1 & 2* together over the  $\text{\O}50\text{mm}$  pole by tightening *item 3*.

**Note:** Ensure the gap between the collar halves on both sides are equal.



**\*Important:** Ensure to fix the mounting plate to the front half of the collar (*item 1*) so you have access to *item 3* on the back.

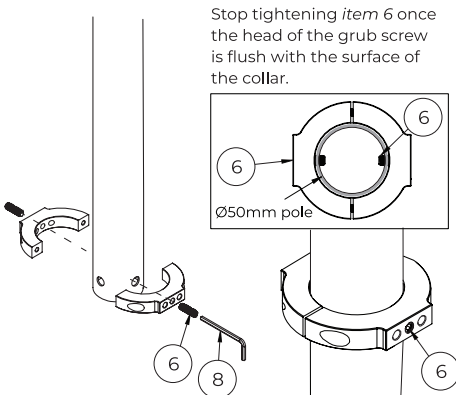


**Note:** Mounting plates can also be attached to the collar after the collar is fixed onto the pole.

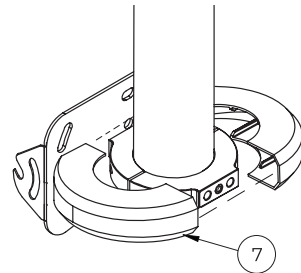
**2.** 2x *item 6* are provided for extra safety.

**Important:** At least 1x M8 x 25mm grub screw (*item 6*) must be set in place before any AV equipment is fitted.

**Note:** The  $\text{\O}50\text{mm}$  ( $\text{\O}2''$ ) pole may be drilled through to accommodate these safety grub screws or use the existing holes in the pole.



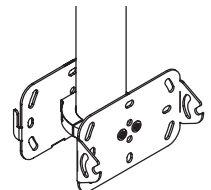
**3.** Attach *item 7* over *items 1 & 2*.



### To Mount Back-To-Back Screens

Follow **Steps 1 & 2**. Once the collar is mounted to the pole, add the 2nd mounting plate to the back half of *item 2*.

**Note:** Cover plates cannot be used on back-to-back installations.

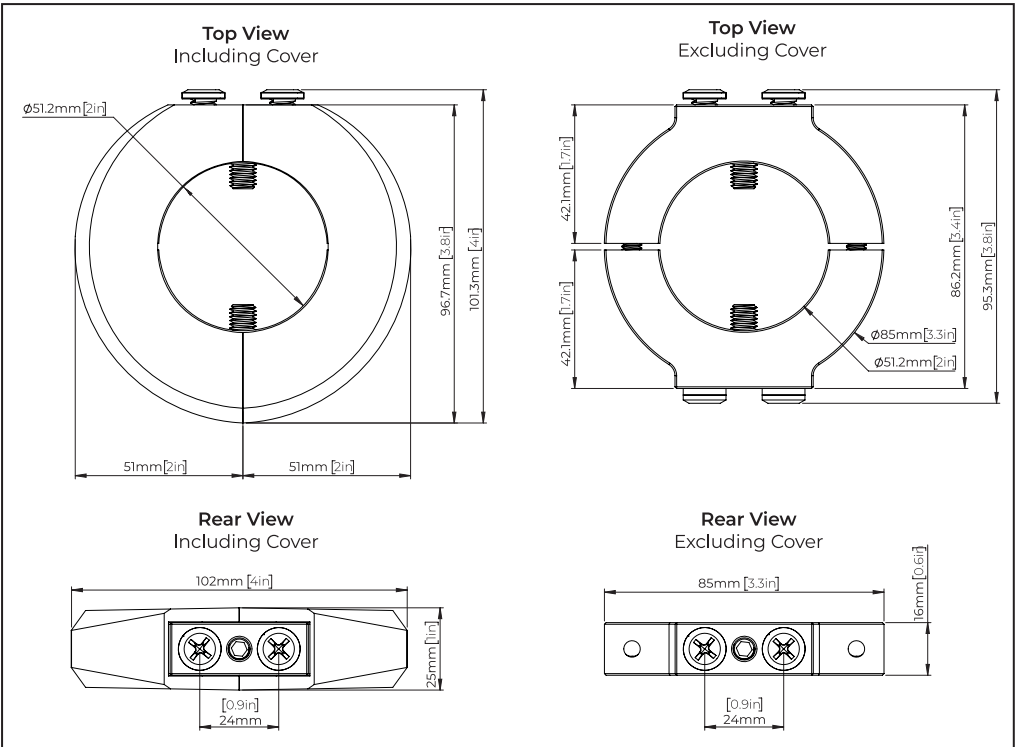
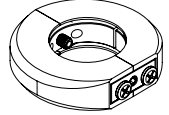


BT7841

# Ø50mm (2") 2-Piece Accessory Collar

For Use With BT7850 Poles

## Dimensions



Contact: [info@btechavmounts.com](mailto:info@btechavmounts.com)

©2024 B-Tech AV Mounts Corporation Ltd. All rights reserved.

B-Tech AV Mounts is a division of B-Tech AV Mounts Corporation Ltd.

B-Tech AV Mounts and the B-Tech logo are registered trademarks.

All B-Tech images and symbols are exclusive property of B-Tech AV Mounts Corporation Ltd.

All other brands and product names are trademarks of their respective owners.

Any reproduction, retransmission or republication of any part of this manual is strictly prohibited,

unless prior written permission has been granted by B-Tech AV Mounts Corporation Ltd.

Photographs are for illustrative purposes only. E&OE

AMA-BT7841-V3-0324-44 Made in the P.R.C.

