



B-TECH AV MOUNTS™

HEAVY
DUTY 6MM
STEEL

BT7822

HEAVY DUTY CEILING / FLOOR MOUNT FOR Ø50MM POLES

Made from heavy duty 6mm thick steel, the BT7822 is a robust mounting solution designed to mount Ø50mm poles to the floor or ceiling. Capable of supporting heavy loads, it is the ideal solution for ceiling mounted flat screen or projector installs, ranging from basic setups to complex installations that feature multiple screens or AV components.

SPECIFICATION

Max load	150kg*
Elevation / Drop	141mm
Plate diameter	Ø150mm (without cover)
Colour options	Black, White or Chrome

*Max load can be increased when being used as part of a floor to ceiling installation

FEATURES

- Can be used to mount a Ø50mm pole to the ceiling or to the floor
- Heavy duty steel capable of supporting substantial loads
- Multiple grub screws allow micro-adjustment of the pole to ensure a perfectly angled drop, even with heavy loads attached
- Integrated cable management through the top or side of the mount
- Includes cover plate for a neat and tidy installation



Ideal for mounting screens and projectors to the ceiling



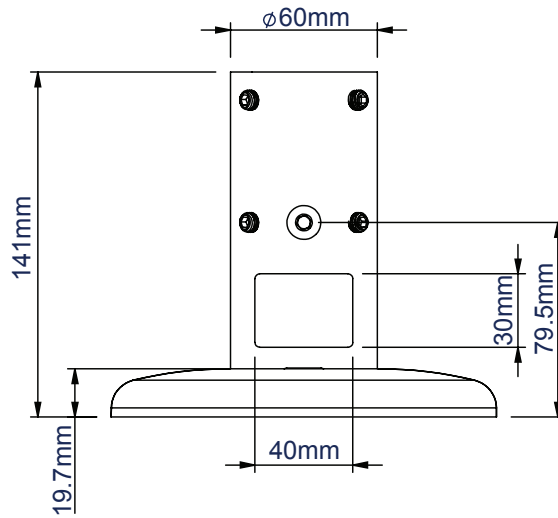
Integrated cable management to hide unsightly cables



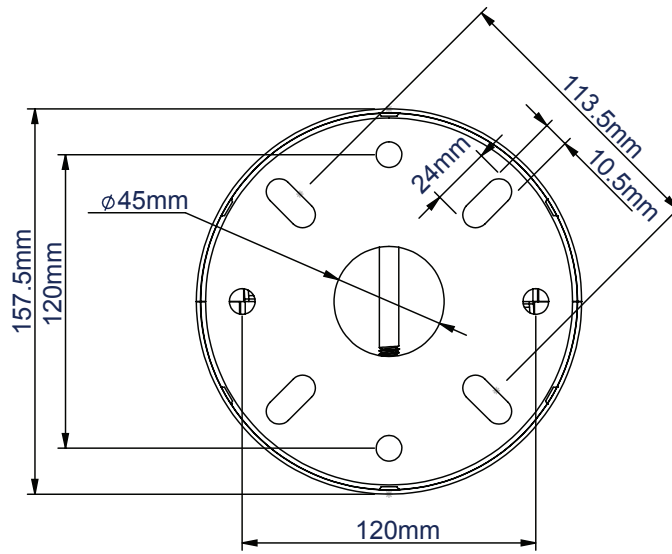
Cover plate included for a neat and tidy installation



Also available with Chrome finish



SIDE VIEW



TOP VIEW

PACKING INFORMATION

COLOUR:	ORDER REF:	EAN CODE:	CARTON QTY:	INNER CARTON QTY:	MASTER CARTON WEIGHT:	MASTER CARTON CUBE:
Black	BT7822/B	5019318078323	8	0	15.18kg	0.053cbm
Chrome	BT7822/C	5019318078354	8	0	15.18kg	0.053cbm
White	BT7822/W	5019318071355	8	0	15.18kg	0.053cbm

ACCESSORIES AND RELATED PRODUCTS FOR USE WITH BT7822

<p>BT7850</p>	<p>BT7807</p>	<p>BT7851</p>	<p>BT7056</p>
----------------------	----------------------	----------------------	----------------------

50mm diameter poles available in different lengths up to 3m

Heavy Duty Twin Pole Ceiling / Floor Mount for fixing Ø50mm poles

Adjustable Drop Ceiling Mount for easy positioning of mounted screens

Floor Fixing Kit for use in floor-to-wall or ceiling-to-floor installs

© 2016 B-Tech Av Mounts. All rights reserved. The information in this specification is current technical specifications at the time of print. We reserve the right to change the technical or physical specifications without prior notice. This is not intended to constitute a contract. B-Tech Av Mounts and B-Tech Technology are registered trademarks of B-Tech International Ltd. B-Tech accepts no liability for loss or damage caused by improper or negligent installation or use of the product. Any reproduction or transmission or republishing of any part of this specification is strictly prohibited unless prior written permission has been granted by B-Tech International Ltd. (BTL)

SS-BT7822-V3.1-220819