



**IDEAL FOR  
POLE  
MOUNTING**

# BT7803

## WALL MOUNT FOR Ø50MM POLES



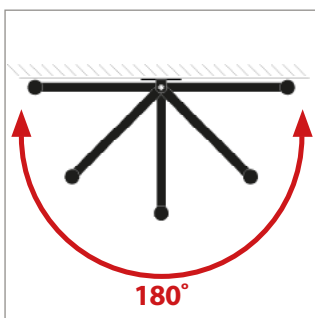
The BT7803 is a robust mounting solution designed to wall mount Ø50mm poles. Capable of supporting heavy loads, it is an ideal solution for pole mounting flat screen displays or projectors where ceiling mounting is not an option. With a built in 180° swivel adjustment for flexible positioning, the single arm extends 535mm from the wall whilst securely holding the pole in place.

### SPECIFICATION

Max load	70kg
Swivel	180°
Arm length	535mm
Colour	Black

### FEATURES

- Designed to wall mount a Ø50mm pole
- Heavy duty steel capable of supporting substantial loads
- Single arm with 180° swivel at wall plate
- Supplied with safety bolt for secure installation
- Includes cover plate for a neat and tidy installation



Single arm with 180° swivel at wall plate



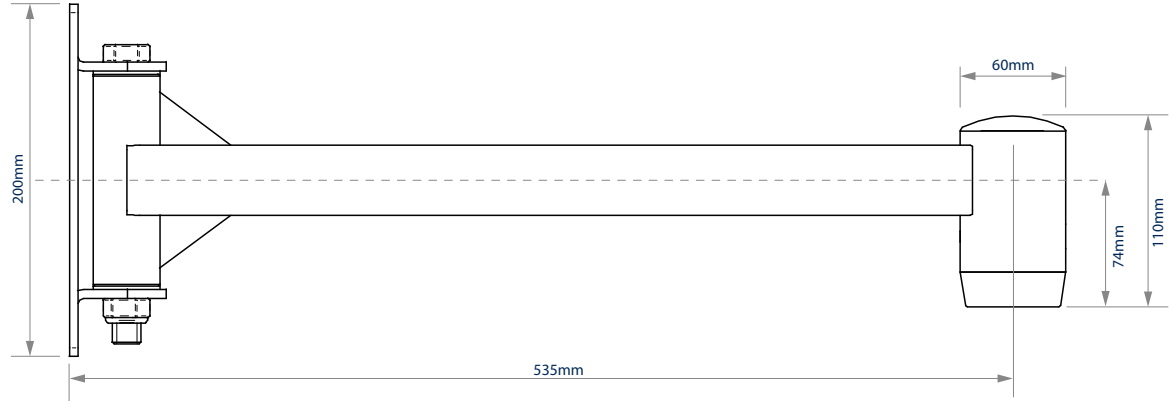
Includes cover plate for a neat and tidy installation



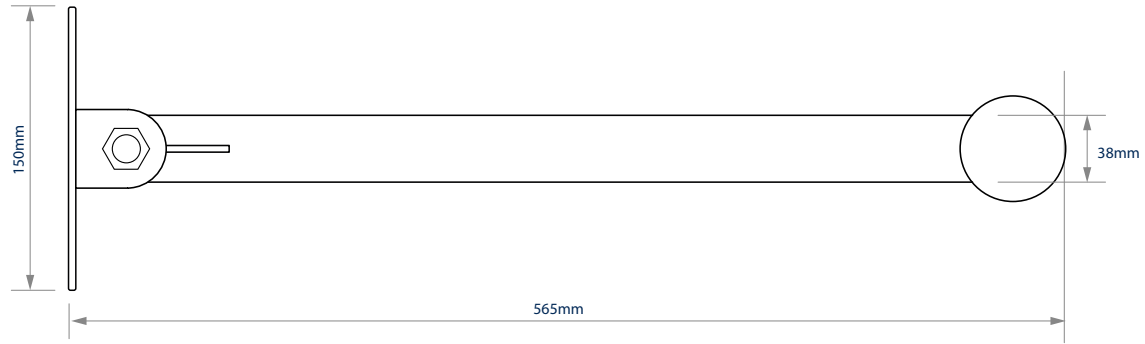
For use with Ø50mm poles



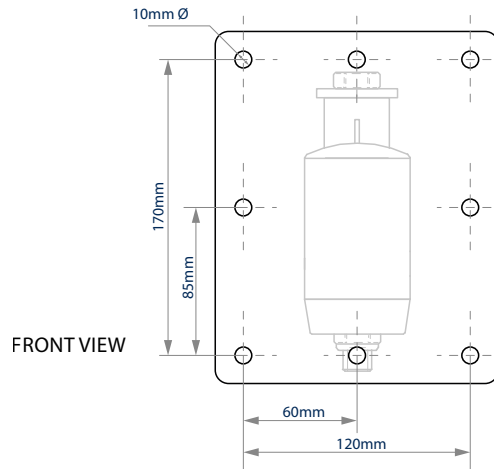
Ideal for wall mounting projectors when ceiling mounting is not an option



SIDE VIEW



TOP VIEW



FRONT VIEW

PACKING INFORMATION

COLOUR:	ORDER REF:	EAN CODE:	PCS (QTY):	INNER CARTONS:	MASTER CARTONS:	MASTER CARTON WEIGHT:	MASTER CARTON CUBE:
Black	BT7803/B	5019318078057	1	0	1	4kg	0.009cbm

ACCESSORIES & RELATED PRODUCTS



**BT7850**  
Ø50mm Poles in 0.3m, 0.5, 0.75, 1.1m and 2m lengths



**BT7831**  
Wall Mounting Bracket allows Ø50mm poles to be mounted vertically on to walls



**BT7808**  
Ceiling / Wall Mount With Tilt designed to mount a Ø50mm pole to a flat or angled ceiling



**BT7822**  
Heavy Duty Ceiling / Floor Mount for use with Ø50mm pole

© 2016 B-Tech Professional Limited. All rights reserved.  
The information in this specification is subject to change without notice. B-Tech Professional and B-Tech Mounts are registered trademarks of B-Tech Professional Ltd.  
B-Tech Professional is not liable for loss or damage caused by improper or negligent installation, use, or maintenance. Any reproduction or transmission of any part of this specification is strictly prohibited unless prior written permission has been granted by B-Tech Professional Ltd. (BTL)

SS-BT7803-V1-1-100919