



**FULL
MOTION
ADJUSTMENT**

BT7383

FULL MOTION DOUBLE ARM DESK MOUNT

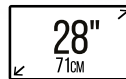
The BT7383 is a full motion, double arm mount designed to display a single screen up to 28". Double articulated arms feature three swivel points: 360° at pole and 180° at interface and easy tilt and height adjustment to allow the user to achieve optimum screen positioning and maximum user comfort. Cable management is integrated throughout the mount for a clean and tidy installation.

SPECIFICATION

Recommended screen size	up to 28"
Max load	9kg
VESA® compatibility	75 x 75 & 100 x 100
Tilt	+ 65°/- 90°
Swivel at pole & arm pivot	360
Swivel at interface	180°
Screen rotation	360°
Max extension	586mm

FEATURES

- Articulated arm desk mount made from durable aluminium with a durable powder coated finish
- 3 swivel points, at the pole, arm pivot and interface
- Easy height adjustment using tool-less locking collar
- Supplied with both a desk clamp and grommet
- Integrated cable management
- Simple 'hook-on' installation with all mounting hardware included



fullmotionmounts



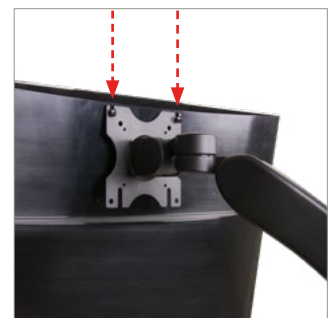
Cable management is integrated throughout the mount for a neat and tidy installation



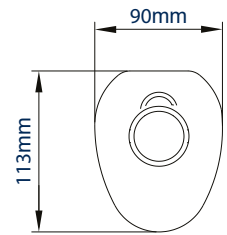
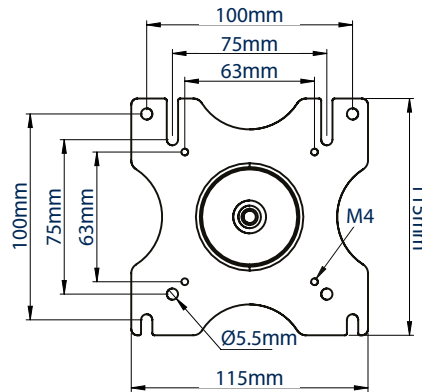
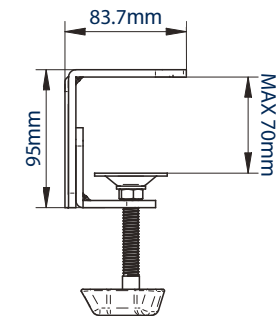
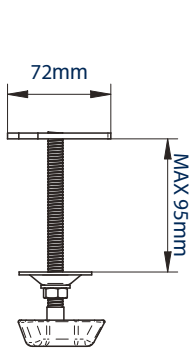
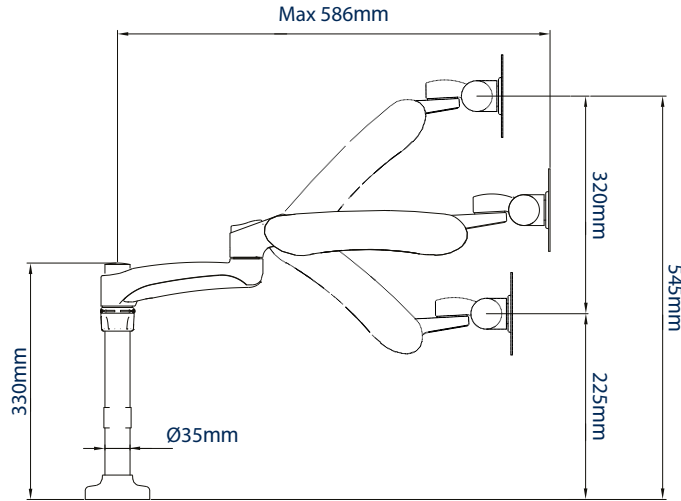
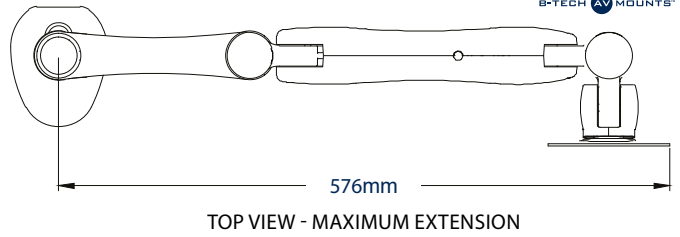
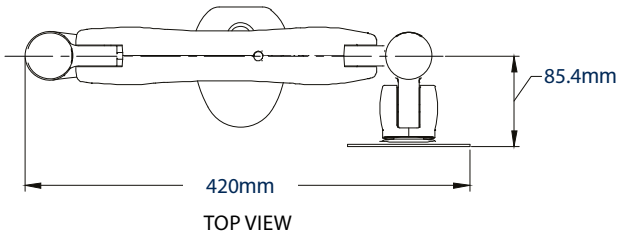
Supplied with a desk clamp that can attach either to the rear or side of a desk or through a grommet hole



Full motion adjustability allows easy screen positioning for the perfect display position



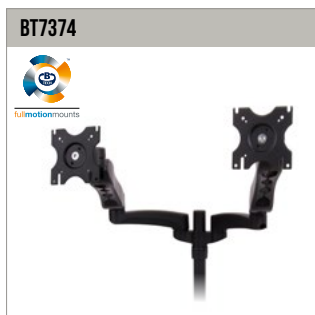
Quick and easy 'hook-on' installation



PACKING INFORMATION

COLOUR:	ORDER REF:	EAN CODE:	MASTER CARTON QTY:	INNER CARTON QTY:	MASTER CARTON WEIGHT:	MASTER CARTON CUBE:
Black	BT7383/B	5019318752377	2	0	09.6kg	0.060cbm

ACCESSORIES & RELATED PRODUCTS



Twin Screen Full Motion Desk Mount designed for 2 screens up to 28"



Single Arm Desk Mount designed for screens up to 28"



Twin Screen Full Motion Desk Mount designed for 2 screens up to 28"



Full Motion Single Arm Desk Mount designed for screens up to 28"

© 2019 B-Tech Professional Design & Manufacturing Limited. All rights reserved. The information in this specification is subject to change without notice. B-Tech Professional Design & Manufacturing Limited accepts no liability for loss or damage caused by improper use, installation or modification of any part of this specification. B-Tech Professional Design & Manufacturing Limited is not responsible for any damage caused by the use of this specification. B-Tech Professional Design & Manufacturing Limited is not responsible for any damage caused by the use of this specification. B-Tech Professional Design & Manufacturing Limited is not responsible for any damage caused by the use of this specification.