



BT7372

SINGLE ARM DESK MOUNT

WITH TILT & SWIVEL

The BT7372 is a single arm desk mount made from durable aluminium with an anodised, polished finish. Suitable for use with screens up to 28", the arm features two swivel points plus 360° screen rotation at the interface, making this desk mount perfect for portrait or landscape mounting. The mount can be easily fixed to the rear or side of a desk or through a grommet hole and the integrated cable management ensures a neat and tidy installation.

SPECIFICATION

Recommended screen size	up to 28"
Max load	9kg
VESA® compatibility	75 x 75 & 100 x 100
Tilt	+65° / -90°
Swivel at pole	360°
Swivel at interface	220°
Screen rotation	360°
Max extension	255mm
Colour	Black

FEATURES

- High-end aesthetic quality with a durable powder coated finish
- 2 swivel points, at the pole and interface
- Easy height adjustment using tool-less locking collar
- Supplied with both a desk clamp and grommet
- Integrated cable management
- Simple 'hook-on' installation with all mounting hardware included



Integrated cable management for a neat and tidy installation



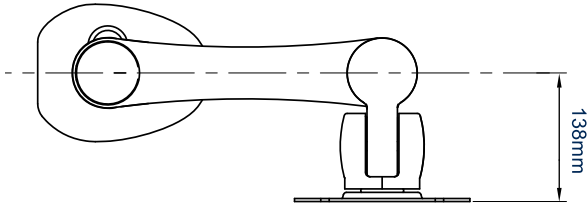
Supplied with a desk clamp that can attach either to the rear / side of a desk or through a grommet hole



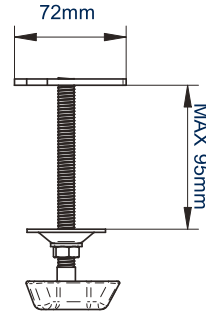
+65°/-90° tilt adjustment, and 360° screen rotation makes it easy to adjust screens



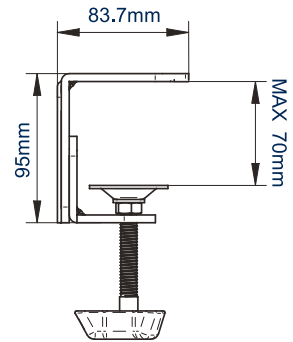
Height adjustment using tool-less locking collar



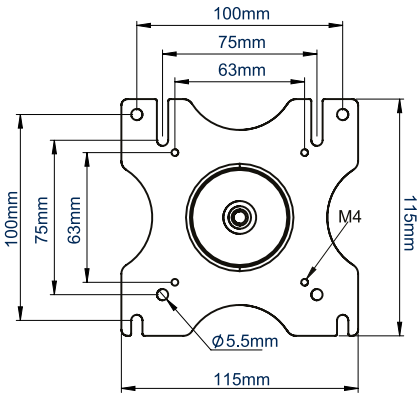
TOP VIEW



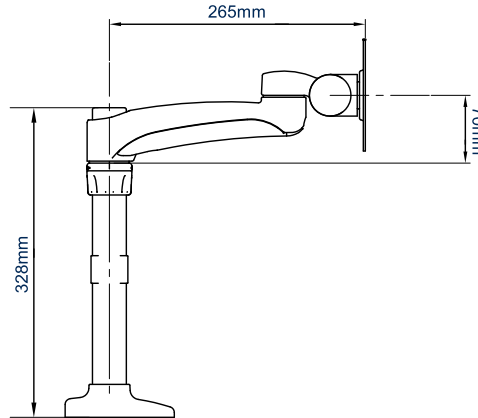
GROMMET



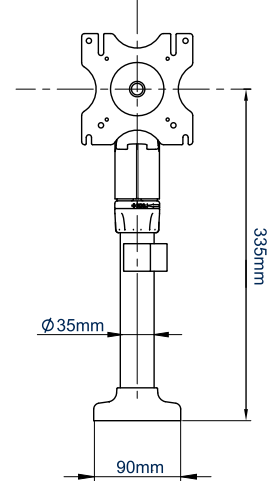
DESK CLAMP



INTERFACE



SIDE VIEW



FRONT VIEW

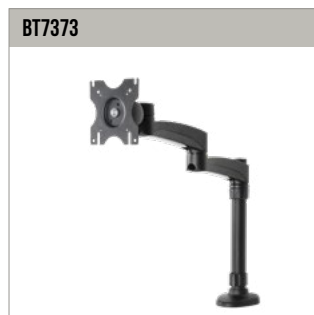
PACKING INFORMATION

COLOUR:	ORDER REF:	EAN CODE:	MASTER CARTON QTY:	INNER CARTON QTY:	MASTER CARTON WEIGHT:	MASTER CARTON CUBE:
Black	BT7372/B	5019318752162	2	0	5.6kg	0.044cbm

RELATED PRODUCTS TO THE BT7372



BT7383
Double Arm Full Motion Desk Mount designed for screens up to 28"



BT7373
Double Arm Premium Desk Mount designed for screens up to 28"



BT7384
Twin Screen Full Motion Desk Mount designed for 2 screens up to 28"



BT7374
Twin Flat Screen Desk Mount with Dual Articulated Arms for screens up to 28"

© 2016 B-Tech Professional Design & Manufacturing Ltd. All rights reserved.
We warrant the information on this website to be accurate and complete at the time of printing.
We reserve the right to change the technical specifications without prior notice. This is not intended to constitute a contract.
B-Tech Professional Design & Manufacturing Ltd. is not liable for any loss or damage caused by improper installation or use of the product.
Specifications are subject to change without notice. For more information visit www.btechavmounts.com

SS-BT7372-V3-010819