

B-TECH AV MOUNTS

SYSTEM 2™

B-TECH AV MOUNTS

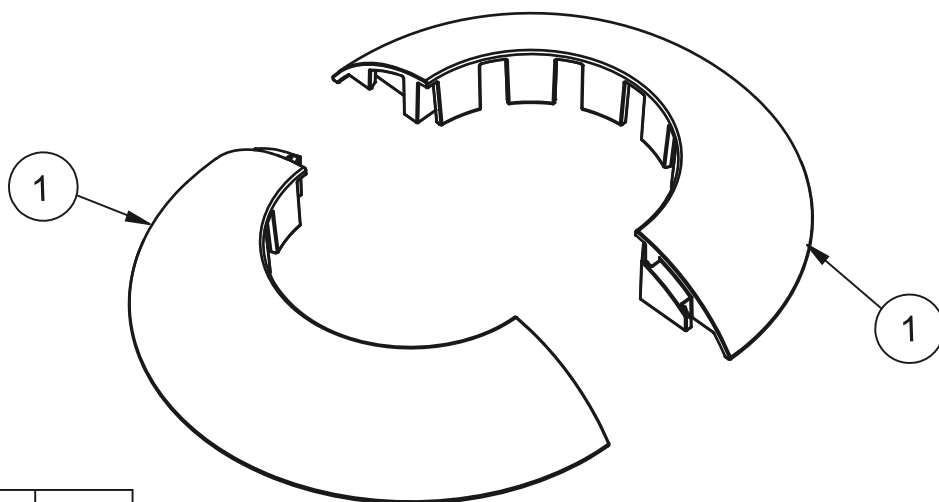
BT7055

Ø50MM POLE FINISHING RING
FOR USE WITH BT7850 POLES



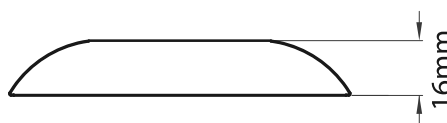
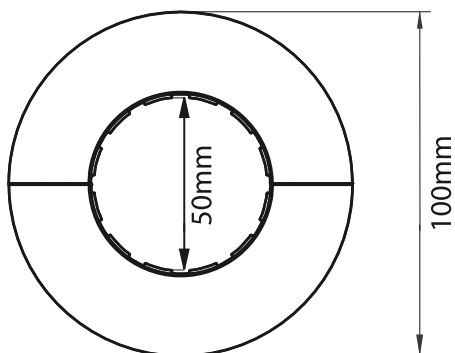
PARTS LIST

- 2 piece pole ring for use with Ø50mm poles
- Provides cover to improve the look of a ceiling mounted pole
- Can be retro fitted onto poles
- Ideal for use with suspended ceilings



ITEM	DESCRIPTION	QTY
1	POLE FINISHING RING (HALF)	2

PRODUCT DIMENSIONS



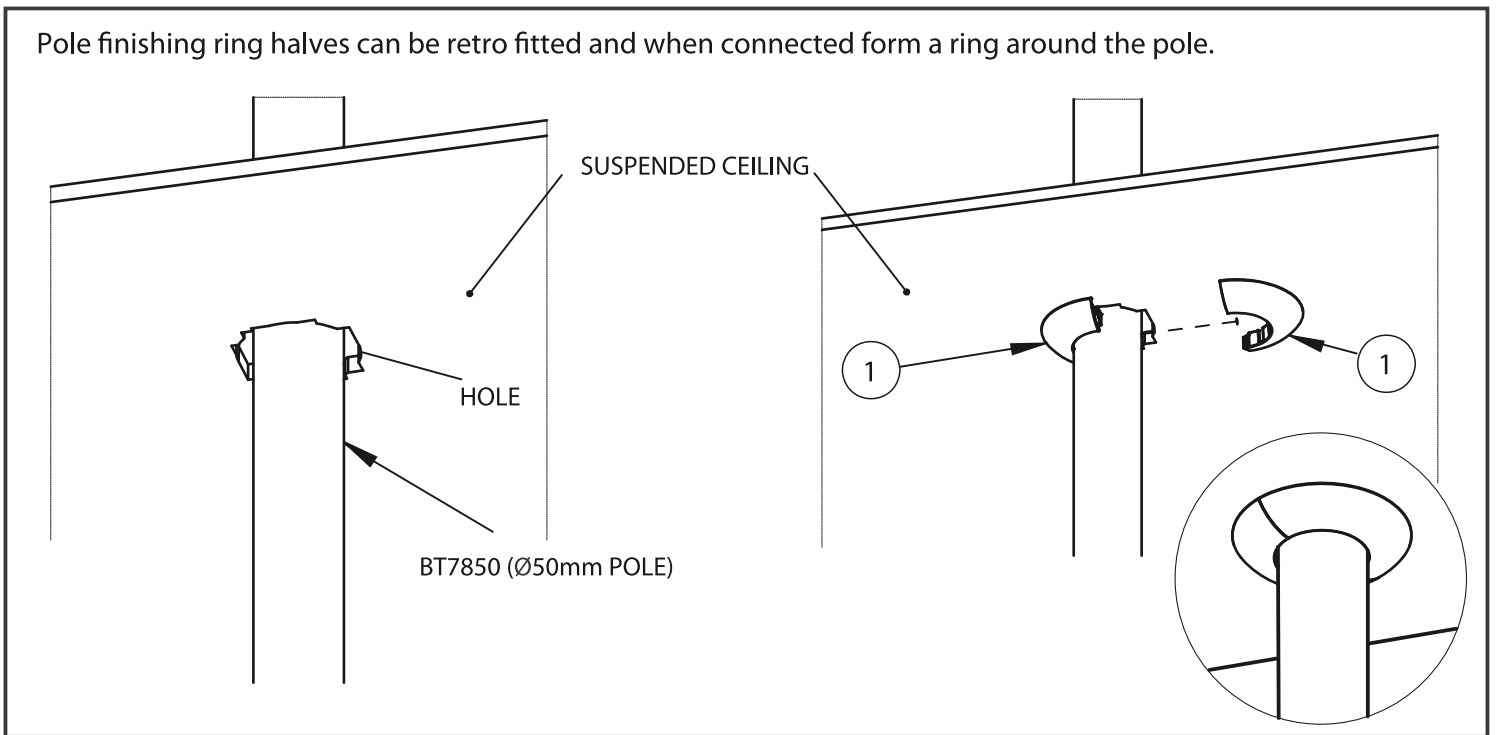
BT7055

Ø50MM POLE FINISHING RING



INSTALLATION INSTRUCTIONS

Pole finishing ring halves can be retro fitted and when connected form a ring around the pole.



CONTACT:

info@btechavmounts.com

©2021 B-Tech International Design & Manufacturing Ltd. All rights reserved.

B-Tech AV Mounts is a division of B-Tech International Design & Manufacturing Ltd.

B-Tech AV Mounts and the B-Tech logo are registered trade marks.

All other brands and product names are trademarks of their respective owners.

Photographs are for illustrative purposes only. E&OE.

AMA-BT7055-V2.1-0521-104 MADE IN VIETNAM

