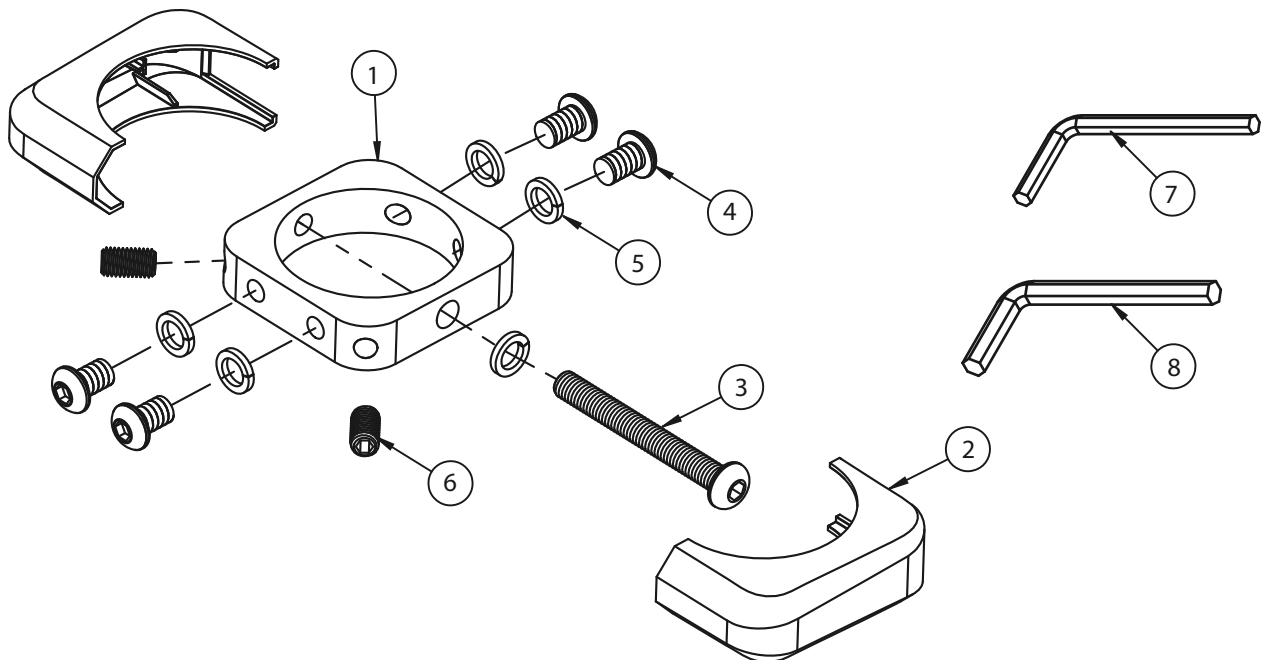


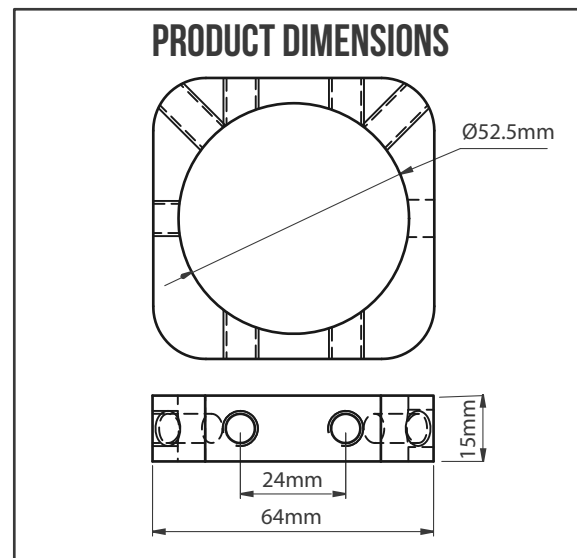
BT7052

Ø50MM ACCESSORY COLLAR
FOR USE WITH BT7850 POLES

PARTS LIST



ITEM	DESCRIPTION	QTY
1	Ø50mm COLLAR	1
2	COLLAR COVER	2
3	M8 x 65mm HEX SCREW	1
4	M8 x 12mm HEX SCREW	4
5	M8 SPRING WASHER	5
6	M8 x 15mm GRUB SCREW	2
7	4AF HEX KEY	1
8	5AF HEX KEY	1



BT7052

Ø50MM ACCESSORY COLLAR

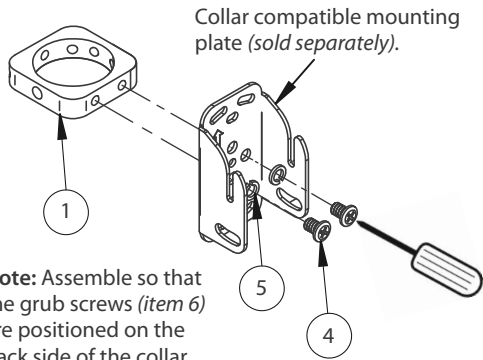
INSTALLATION INSTRUCTIONS



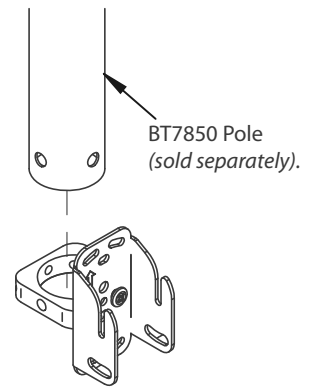
SYSTEM 2

The BT7052 is compatible with the System 2 range of professional install products from B-Tech.

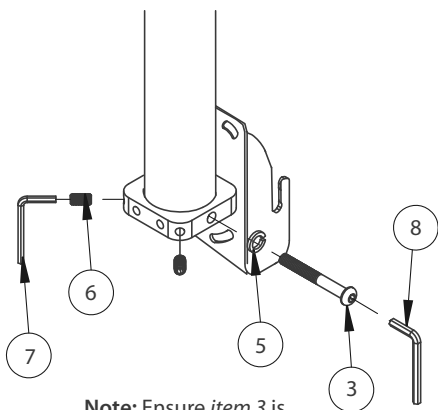
1. ATTACH THE COLLAR TO A COLLAR COMPATIBLE MOUNTING PLATE



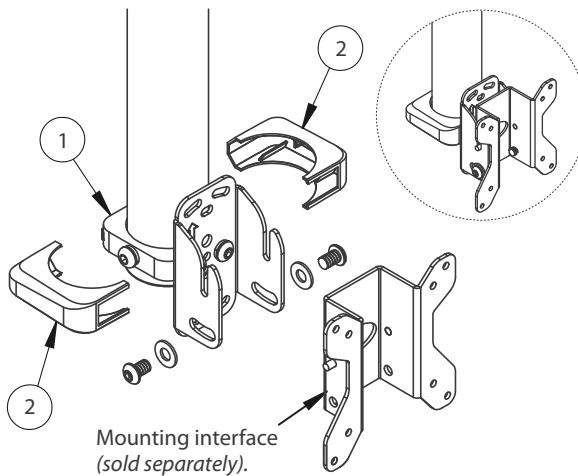
2. SLIDE COLLAR ONTO A Ø50MM POLE



3. TIGHTEN GRUB SCREWS (ITEM 6) TO FIX COLLAR TO POLE



4. ADD COVERS AND MOUNTING INTERFACE



BACK-TO-BACK MOUNTING
2 extra pieces of items 4 & 5 are included for back-to-back mounting on the collar.

Note: Item 2 cannot be used when mounting items back-to-back

CONTACT:
info@btechavmounts.com

©2020 B-Tech International Design & Manufacturing Ltd. All rights reserved.
B-Tech AV Mounts is a division of B-Tech International Design & Manufacturing Ltd.
B-Tech AV Mounts and the B-Tech logo are registered trade marks.
All other brands and product names are trademarks of their respective owners.
Photographs are for illustrative purposes only. E&OE.

AMA-BT7052-V1.3-1120-104 MADE IN VIETNAM

