



IDEAL FOR
POLE
MOUNTING

BT7025

COLLAR ADAPTOR

FOR HORIZONTAL POLES



The BT7025 collar adaptor is part of the System 2 modular range. This adaptor allows B-Tech extension poles to be mounted in various configurations, specifically connecting a horizontal pole to a vertically mounted pole. Use with B-Tech collars to create formations such as in-line 'T' configurations, cross configurations and back-to-back horizontal pole mounts. Ideal for installations which require multiple displays.

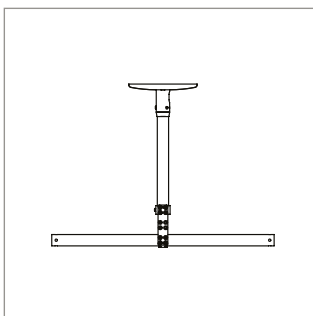
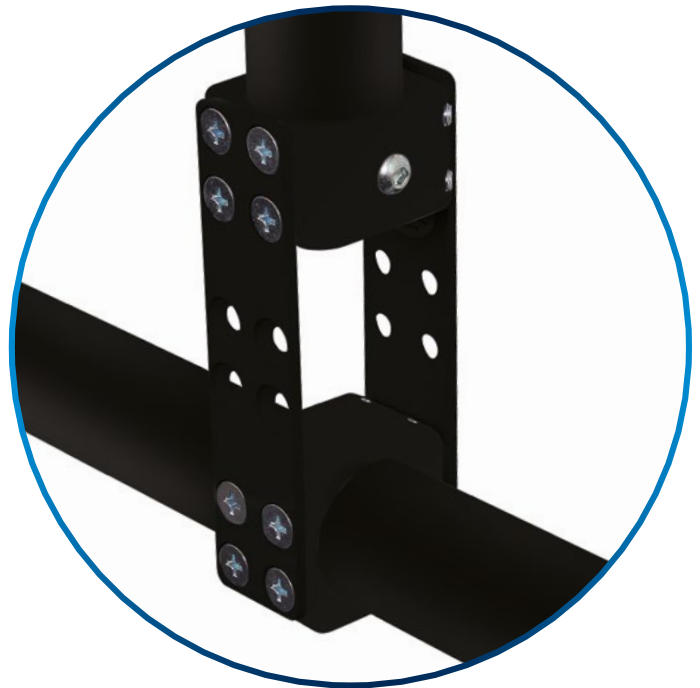
SPECIFICATION

Steel thickness	5mm
Max load	140kg*

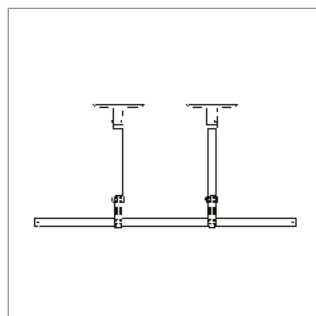
*The recommended weight limit of the BT7025 is 140Kg (70Kg each side of the BT7025). Individual weight limits of attached and supporting mounts must not be exceeded.

FEATURES

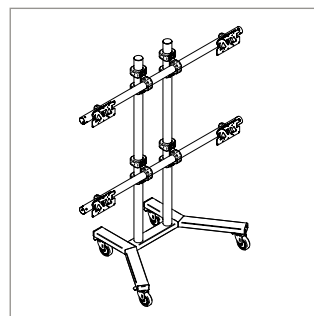
- Allows poles to be mounted horizontally onto fixed vertical poles
- Countersunk fixings for a neat and tidy installation
- Poles and collars sold separately



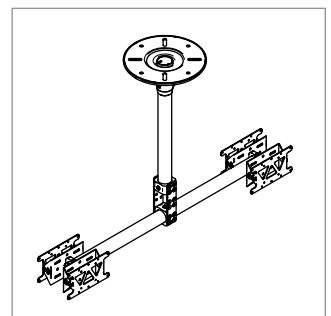
Suspend twin screens from the ceiling by a single Ø50mm pole.



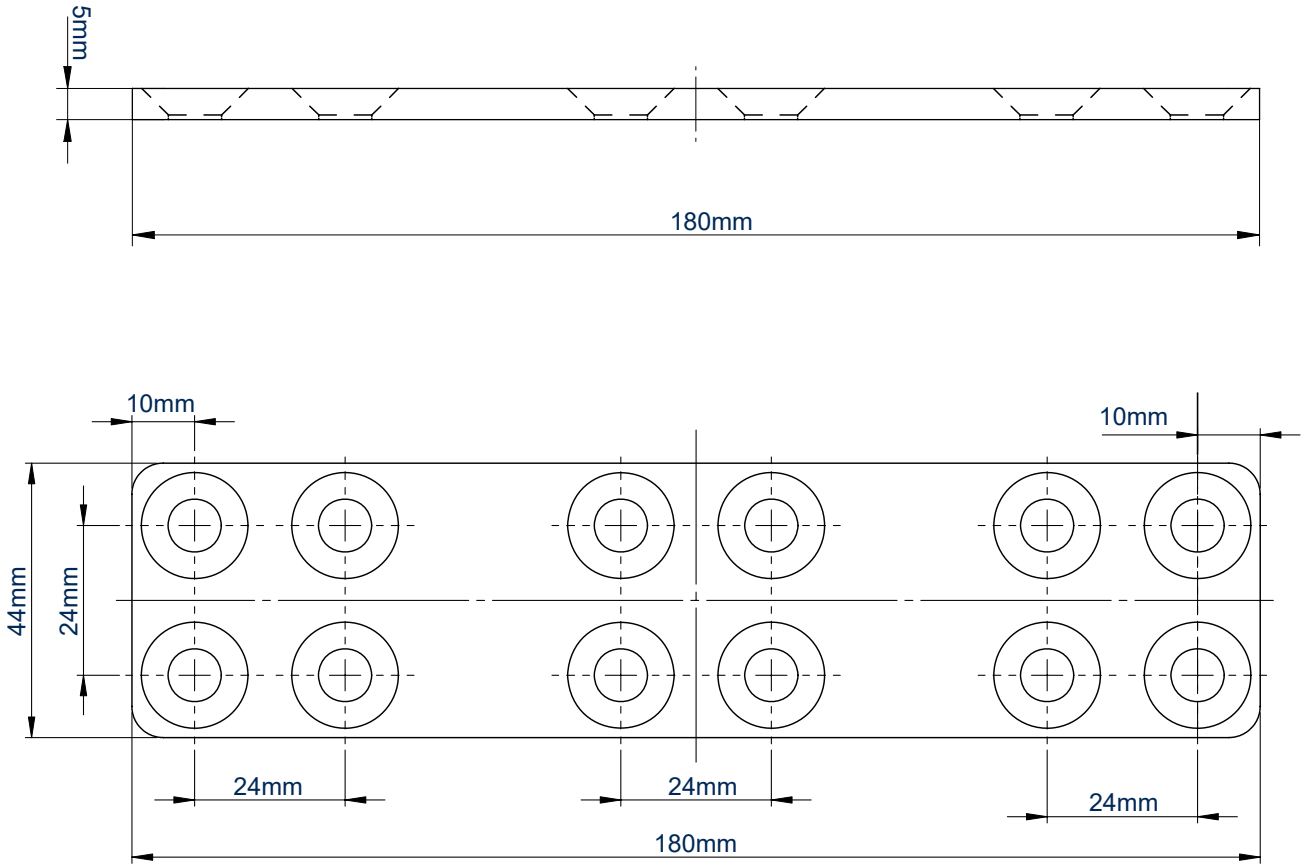
Suspend from the ceiling with multiple Ø50mm poles.



Mount multiple screens from a single trolley



Suspend back-to-back twin screens from the ceiling by a single Ø50mm pole.



PACKING INFORMATION

COLOUR:	ORDER REF:	EAN CODE:	PCS (QTY):	INNER CARTONS:	MASTER CARTONS:	MASTER CARTON WEIGHT:	MASTER CARTON CUBE:
Black	BT7025/B	5019318070273	50	0	1	18.09KG	0.005CBM

ACCESSORIES & RELATED PRODUCTS

<p>BT7052</p>  <p>Ø50mm Accessory Collar for use with 50mm poles</p>	<p>BT7051</p>  <p>Ø50mm for use with 50mm poles</p>	<p>BT7060</p>  <p>Ø60mm for use with 60mm poles</p>	<p>BT7850</p>  <p>Ø50mm Poles different lengths available</p>
---	--	---	--

© B-Tech Professional Limited. All rights reserved.
 The information in this specification is subject to change without notice. This is not intended to be a contract. B-Tech Professional Limited is not responsible for any loss or damage caused by improper or negligent use of the products. Any reproduction or transmission of any part of this specification is strictly prohibited unless prior written permission has been granted by B-Tech Professional Limited.

SS-BT7025-V2-1-031019