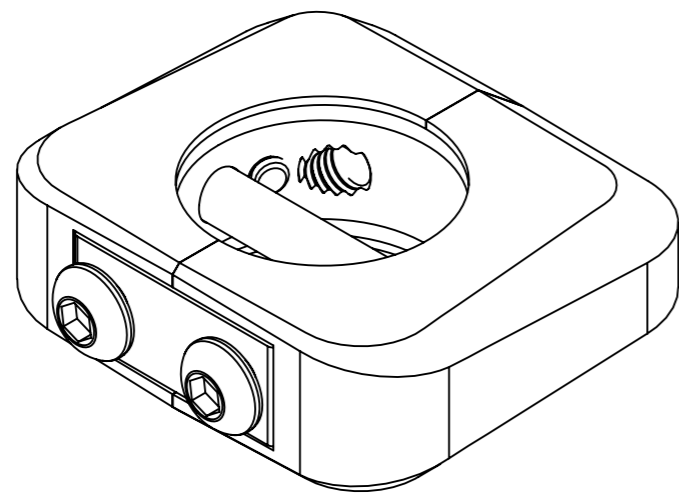
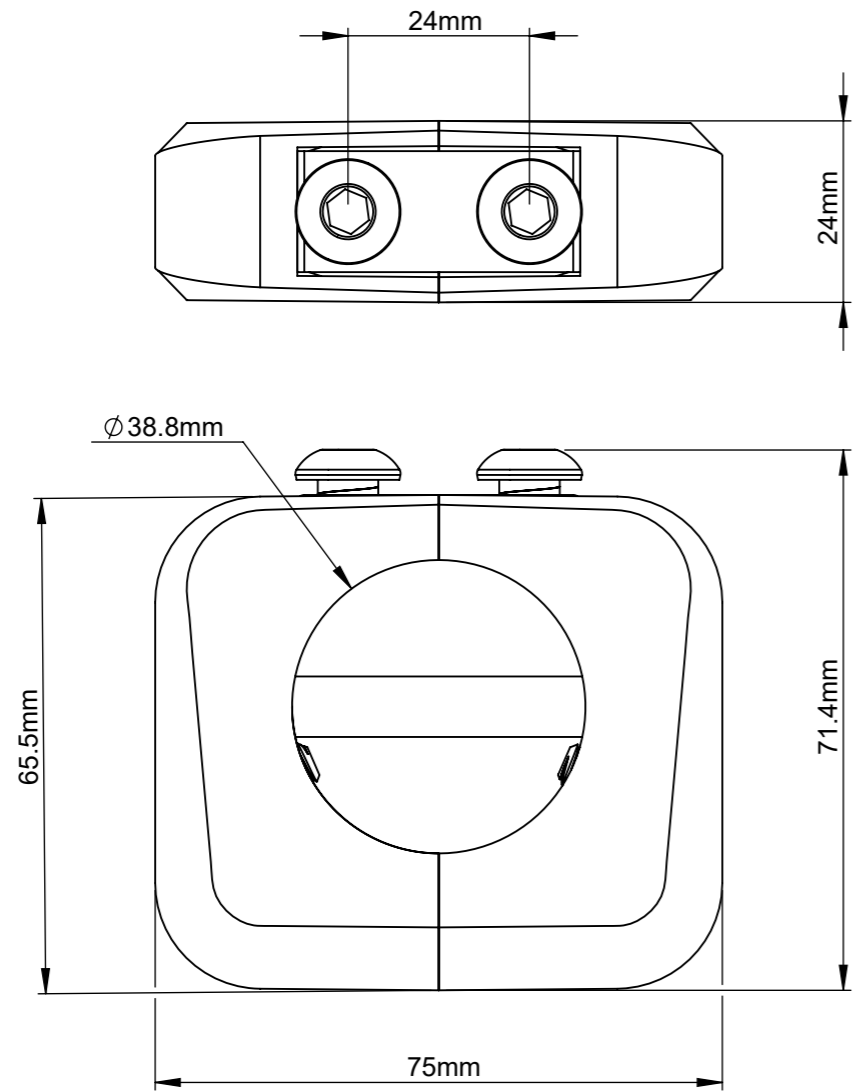
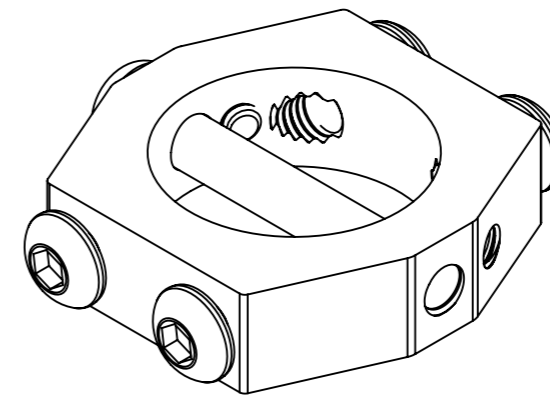
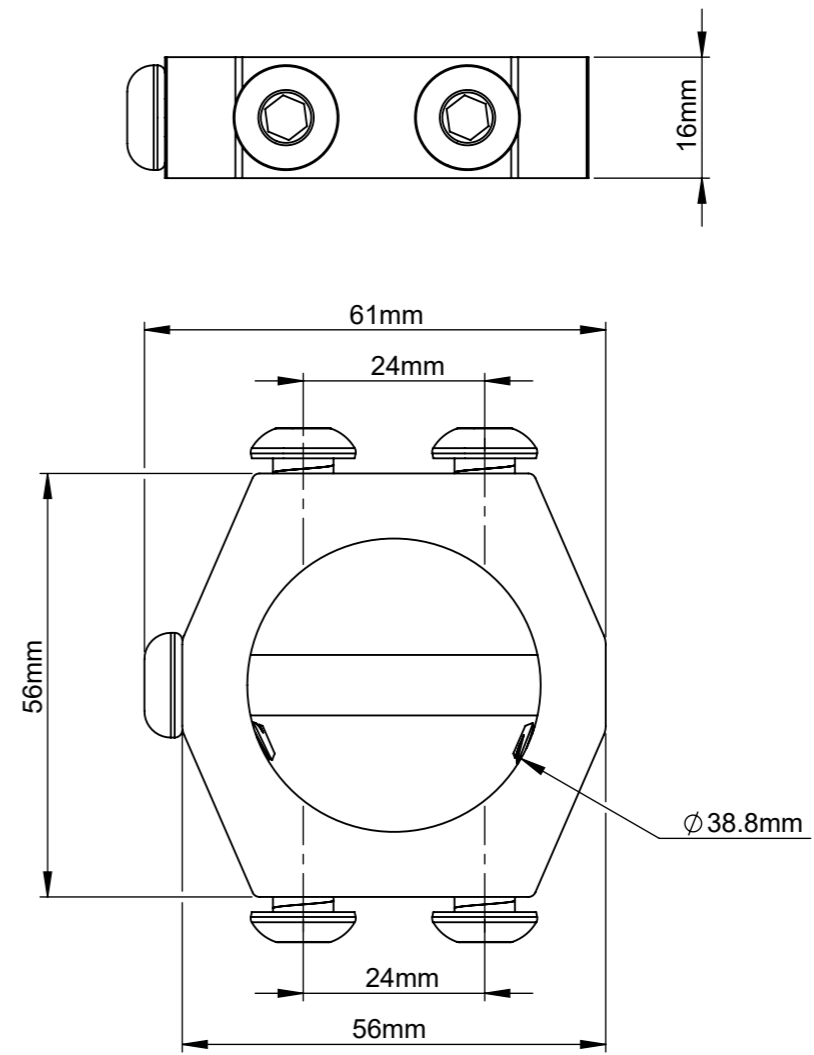


**WITH COVER**



ISOMETRIC VIEW

**WITHOUT COVER**

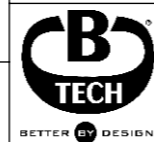


ISOMETRIC VIEW

**B-Tech International Design & Manufacturing Limited**  
Part of the B-Tech International Group

**B-Tech No:** BT5952

**Title:** Accessory Collar for Ø38mm Poles



UNLESS OTHERWISE SPECIFIED DIMENSIONS ARE IN MILLIMETERS

**Size:** A3

**Scale:** 1:1

**Sheet:** 1 of 1

**Revision:** R00

**Date:** 11/12/2020

**File Name:** BTD-BT5952