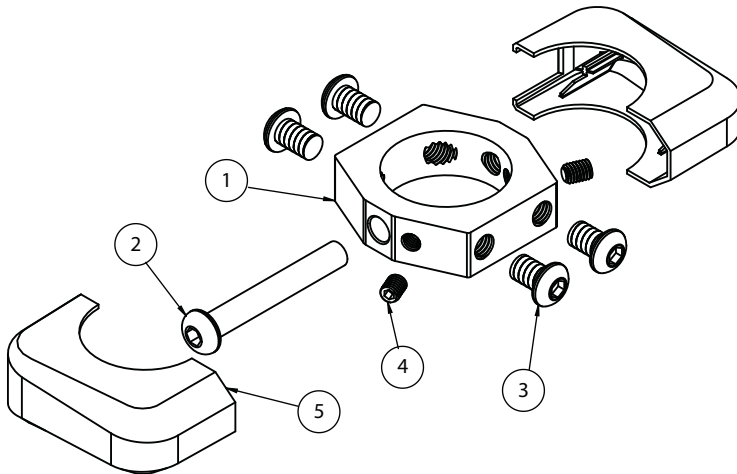


# BT5952

## Ø38MM ACCESSORY COLLAR

USE WITH A BT5935 POLE

### PARTS LIST



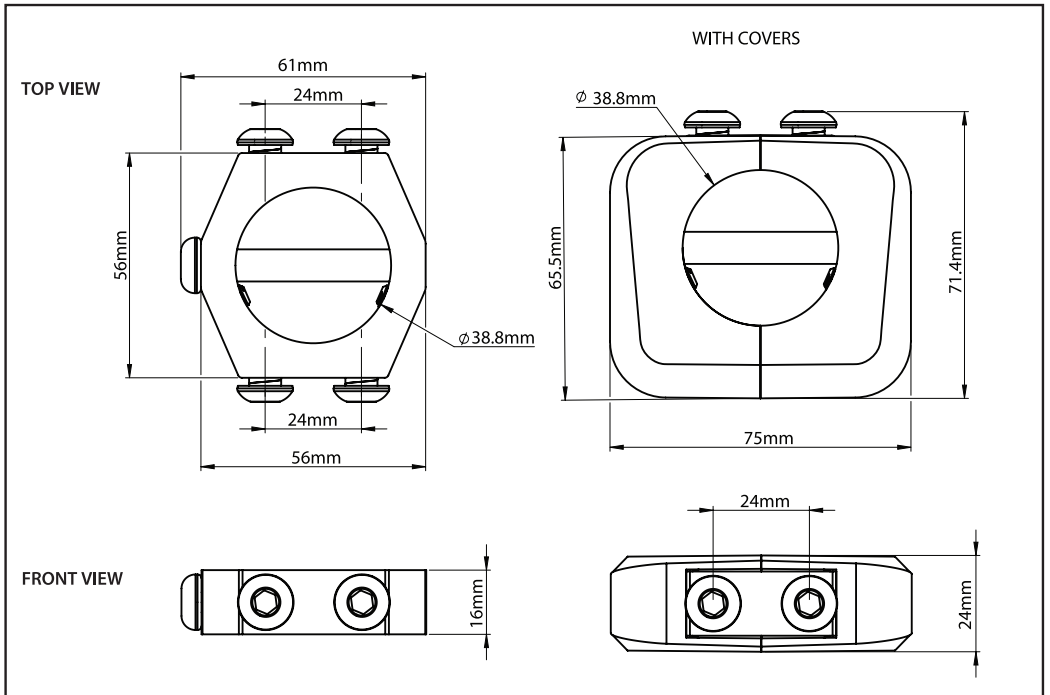
ITEM	DESCRIPTION	QTY
1	Ø38mm ACCESSORY COLLAR	1
2	M8 x 55mm HEX SCREW	1
3	M8 x 12mm HEX SCREW	4
4	M6 x 8mm GRUB SCREW	2
5	COVER PLATE	2
6	5AF HEX KEY	1
7	3AF HEX KEY	1

# BT5952

## Ø38MM ACCESSORY COLLAR



### PRODUCT DIMENSIONS



**CONTACT:**  
[info@btechavmounts.com](mailto:info@btechavmounts.com)

©2020 B-Tech International Design & Manufacturing Ltd. All rights reserved.  
 B-Tech AV Mounts is a division of B-Tech International Design & Manufacturing Ltd.  
 B-Tech AV Mounts and the B-Tech logo are registered trade marks.  
 All other brands and product names are trademarks of their respective owners.  
 Photographs are for illustrative purposes only. E&OE.

AMA-BT5952-V1-1220-104 MADE IN VIETNAM

