



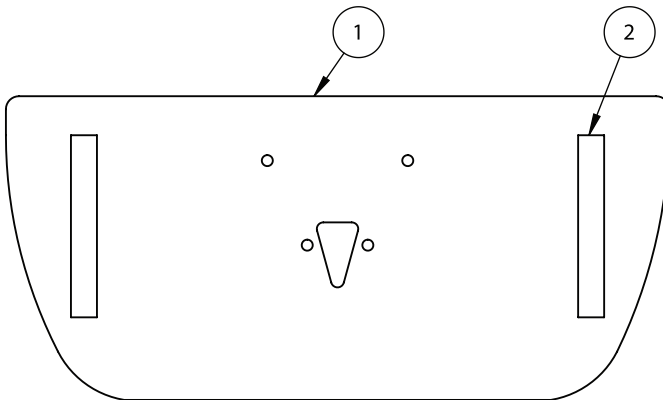
BT4002-SCC

SINGLE COLUMN COVER PLATE

FOR USE WITH BT4001 / BT4002 BASES & BT8381 COLUMNS



PARTS LIST



ITEM	DESCRIPTION	QTY
1	COVER PLATE	1
2	DOUBLE SIDED TAPE	2



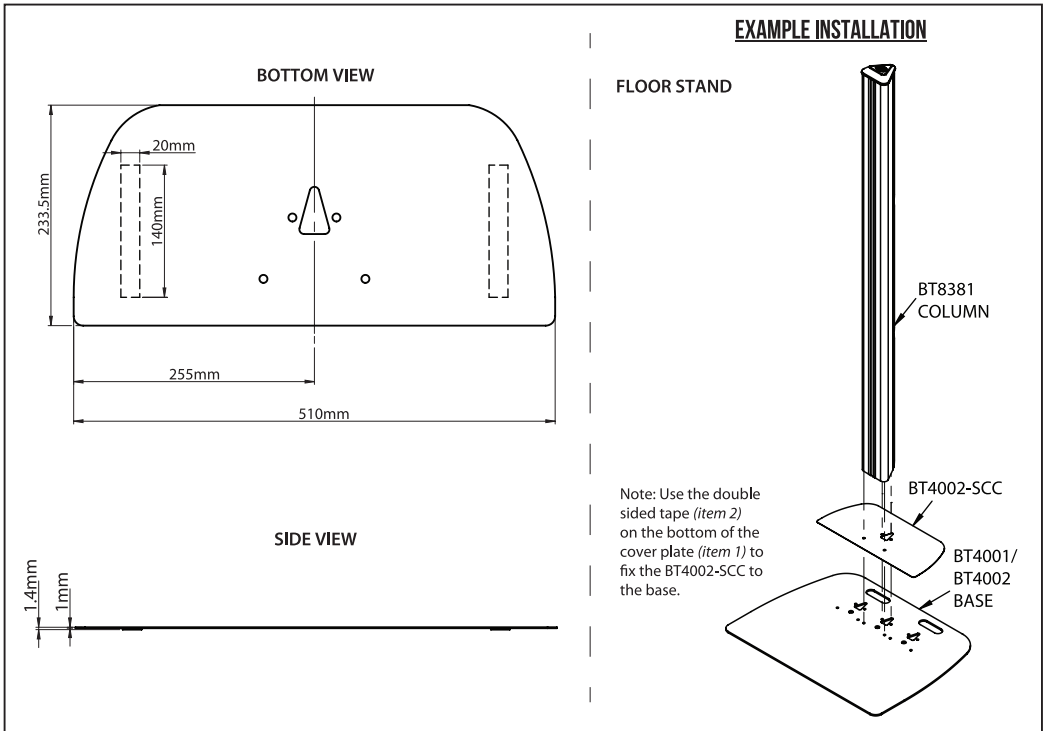
BT4002-SCC

SINGLE COLUMN COVER PLATE

FOR USE WITH BT4001 / BT4002 BASES & BT8381 COLUMNS

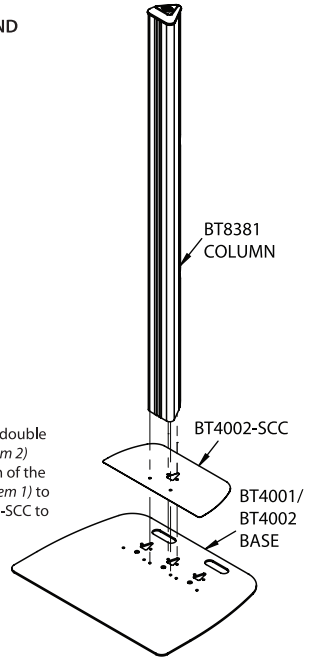


PRODUCT DIMENSIONS



EXAMPLE INSTALLATION

FLOOR STAND



Note: Use the double sided tape (item 2) on the bottom of the cover plate (item 1) to fix the BT4002-SCC to the base.

CONTACT:
info@btechavmounts.com

©2021 B-Tech International Design & Manufacturing Ltd. All rights reserved.
 B-Tech AV Mounts is a division of B-Tech International Design & Manufacturing Ltd.
 B-Tech AV Mounts and the B-Tech logo are registered trade marks.
 All other brands and product names are trademarks of their respective owners.
 Photographs are for illustrative purposes only. E&OE.

AMA-BT4002-SCC-V1-0621-45 MADE IN VIETNAM

