



# BT15

## CENTER SPEAKER WALL MOUNT

### WITH ADJUSTABLE ARMS



Designed to mount center channel speakers to the wall, the BT15 is an effective solution that features twin adjustable arms to accommodate a variety of different sized speakers including the popular SONOS® PLAY:3 and PLAY:5 "smart speaker" systems. Quick and easy to install, the BT15 is an ideal solution for wall mounting speakers and other AV equipment such as Blu-ray players, game consoles and satellite receivers with a weight up to 33lbs.

#### SPECIFICATION

Max load	33lbs (15kg)
Adjustable arm length	7.09"-11.42"

#### FEATURES

- Ideal for center channel speakers or other AV equipment such as Blu-ray® players
- Easy adjustment of arm depth
- Features 'OWLS' On Wall Levelling System
- Compatible with SONOS® Play:3 and Play:5 speakers
- Simple installation with all mounting hardware included
- Supplied in pairs (for use with one speaker)



Suitable for Sonos Play:3 and Play:5 speakers



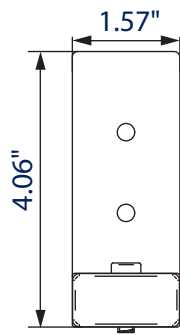
Easy to adjust arm depth depending on the size of speaker / AV equipment



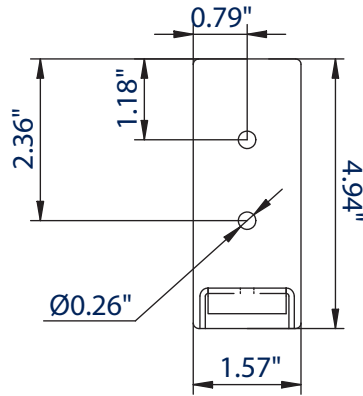
'OWLS' On wall levelling for a smart installation



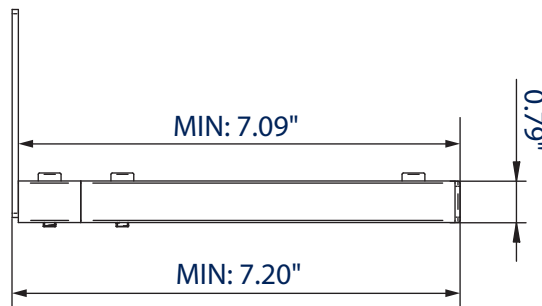
Protective pads supplied to absorb speaker vibration



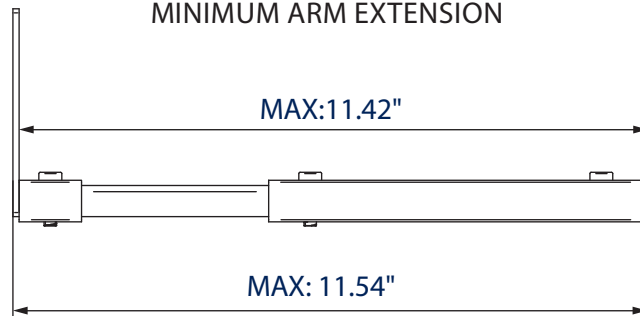
FRONT VIEW



FRONT VIEW - WALL BRACKET



MINIMUM ARM EXTENSION



MAXIMUM ARM EXTENSION

PACKING INFORMATION

COLOR:	ORDER REF:	UPC CODE:	MASTER CARTON QTY:	MASTER CARTON CUBE:	CARTON WEIGHT:
Black	BT15/B	811867032987	8	0.71cuft (0.02cbm)	24lbs (11kg)

RELATED PRODUCTS



**BT1**  
Speaker Wall Mounts designed to mount home cinema speakers up to 22lbs



**BT77**  
Side-Clamping Speaker Wall Mounts designed to mount speakers up to 55lbs



**BT332**  
Speaker Wall Mounts designed to mount home cinema speakers up to 11lbs



**BT604**  
Atlas Speaker Stands Height 17" Designed to mount speakers up to 110lbs

© 2016 B-Tech Av Mounts, LLC. All rights reserved. The information in this specification sheet reflects the current technical specifications at the time of print. We reserve the right to change the technical or physical specifications without prior notice. The B-Tech name and the B-Tech logo are registered trademarks of B-Tech International Design & Manufacturing Limited. B-Tech is not responsible for loss or damage caused by improper installation or mounting on unsuitable surfaces. Any reproduction or repurposing of any part of this specification sheet is strictly prohibited unless prior written permission has been granted by B-Tech International Design & Manufacturing Limited. 32421

SS-V2-BT5-280720-US