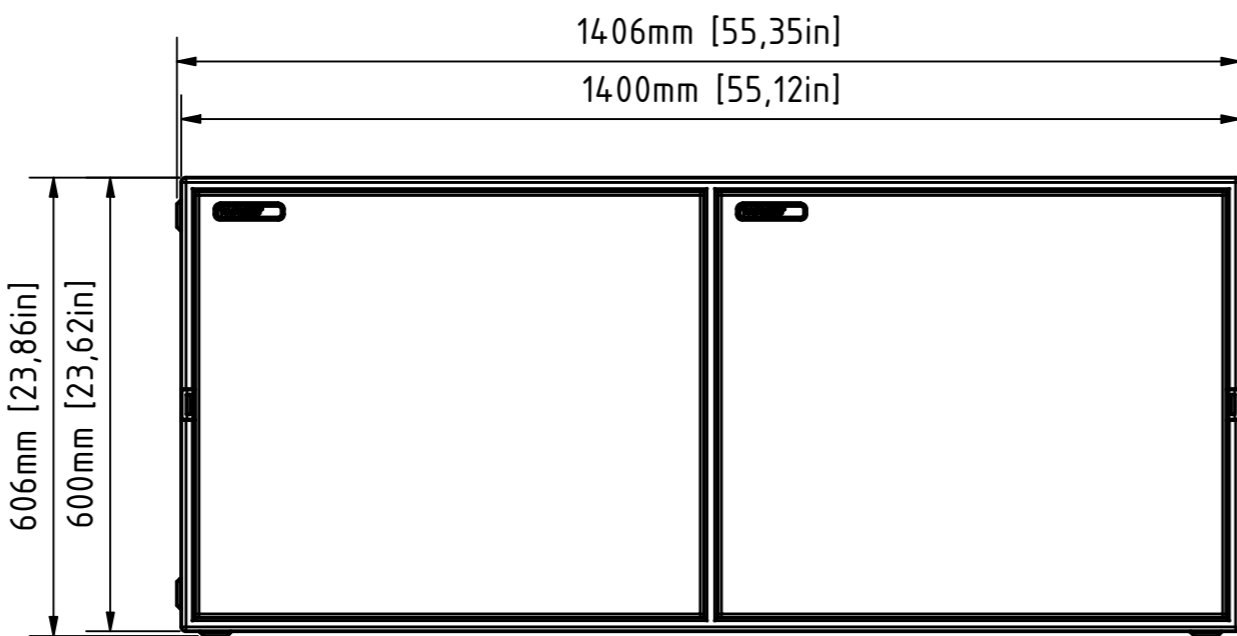
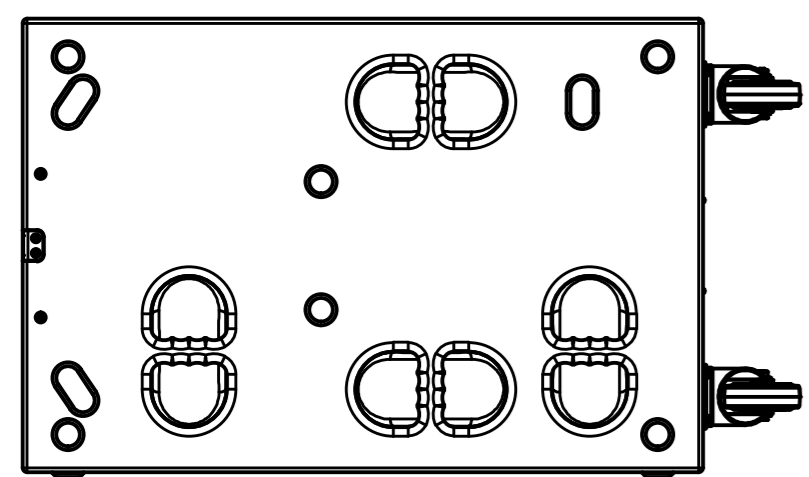


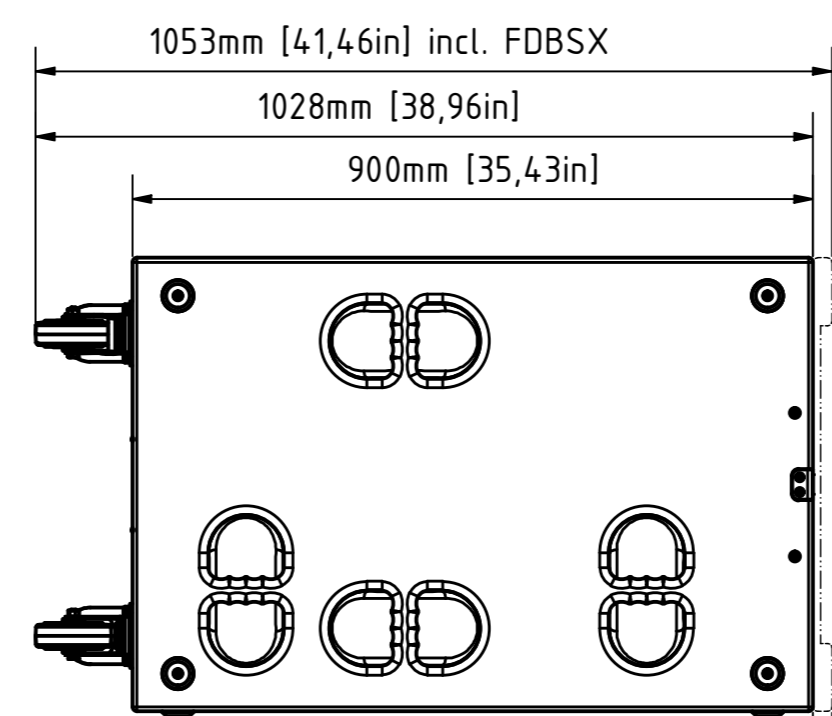
bottom view



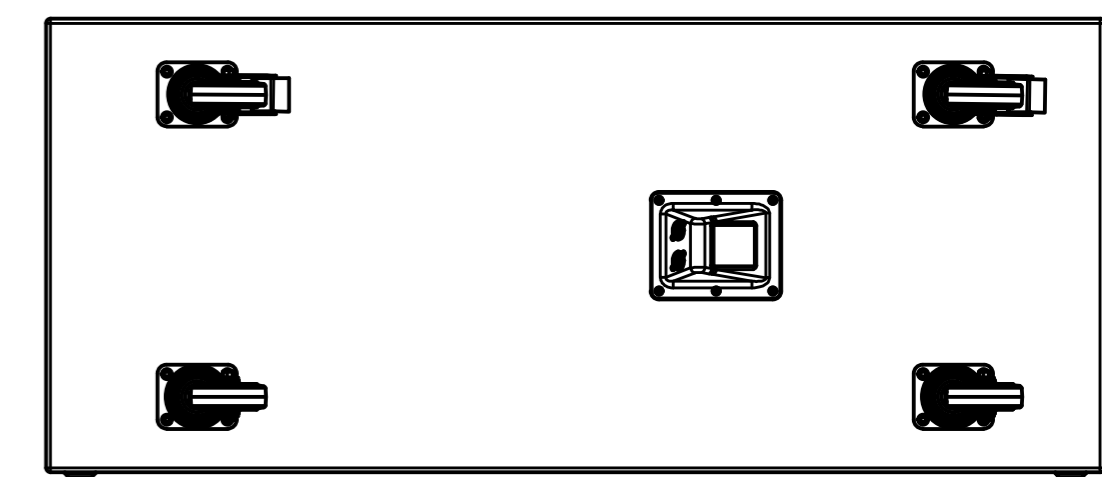
front view



right view

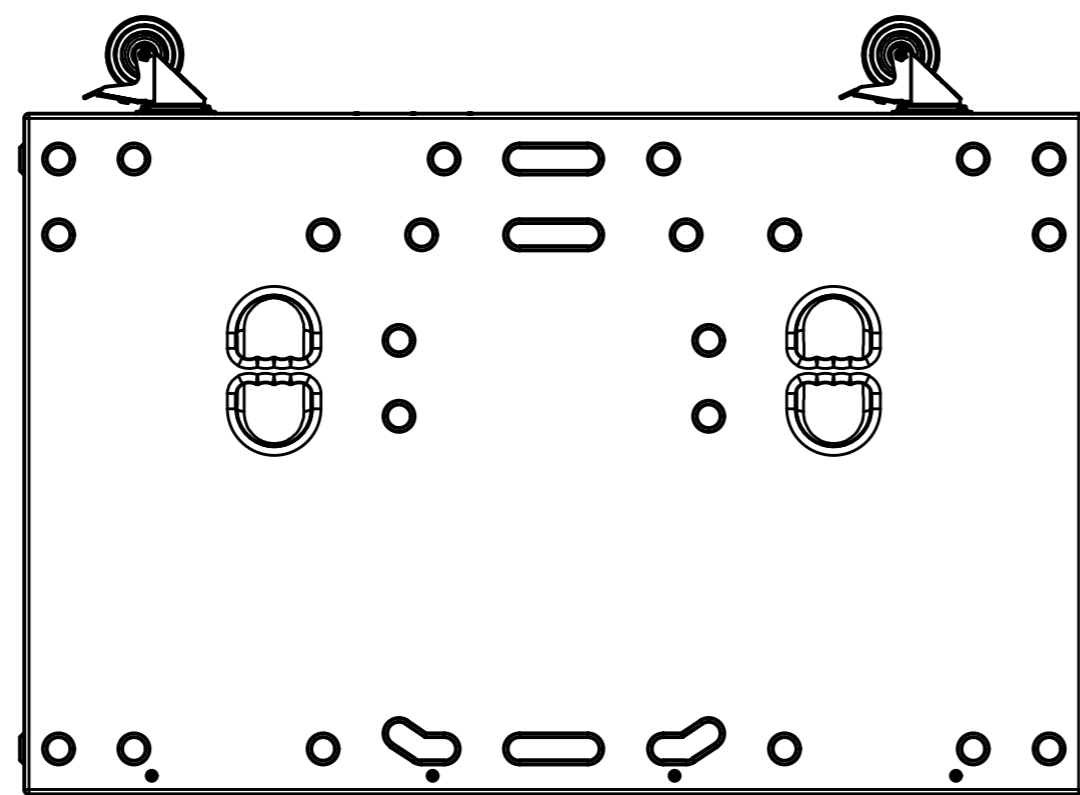


left view

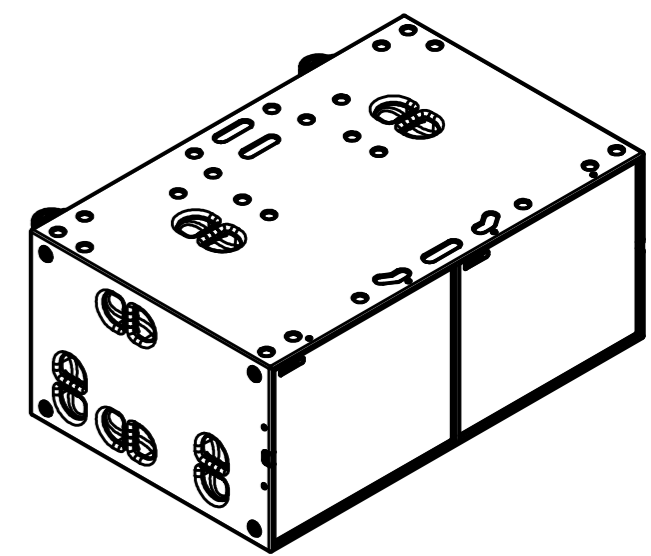


rear view

25mm [0,98in] FDBSX



top view



0				07.05.2019	Heike Konrad
Rev.		Beschreibung		Datum	Geändert von
REVISIONSVERLAUF					
<b>TWAUDIO</b> Osterholzallee 140-2 71636 Ludwigsburg www.twaudio.de		scale: weight: 109 kg [241 lbs]	order number:		
All rights to this drawing reserved in accordance with ISO 16016. Copying and distribution by manufacturer's permission only.		document type: <b>overview drawing</b>	type: <b>BSX</b>		
general tolerance ISO 2768-mK ISO 13920-BF ISO 9013-IIA/K according to ISO 8015		status type: <b>released</b>	drawing number: <b>TWA-BSX-0001</b>		
edges according to ISO 13715 surfaces (Ra) array 2 array 3 according to ISO 1302		date 21.01.2010 Stefan Ullrich	name Stefan Ullrich	revision no: <b>0</b>	sheet: <b>1   1</b> Az
approved: 07.05.2019 Heike Konrad		checked: 16.04.2010 Stefan Ullrich			
<small>C:\CAD\TW_AUDIO\CAD-Daten\Produkte\BSX\BSX_xpl.dwg</small>					