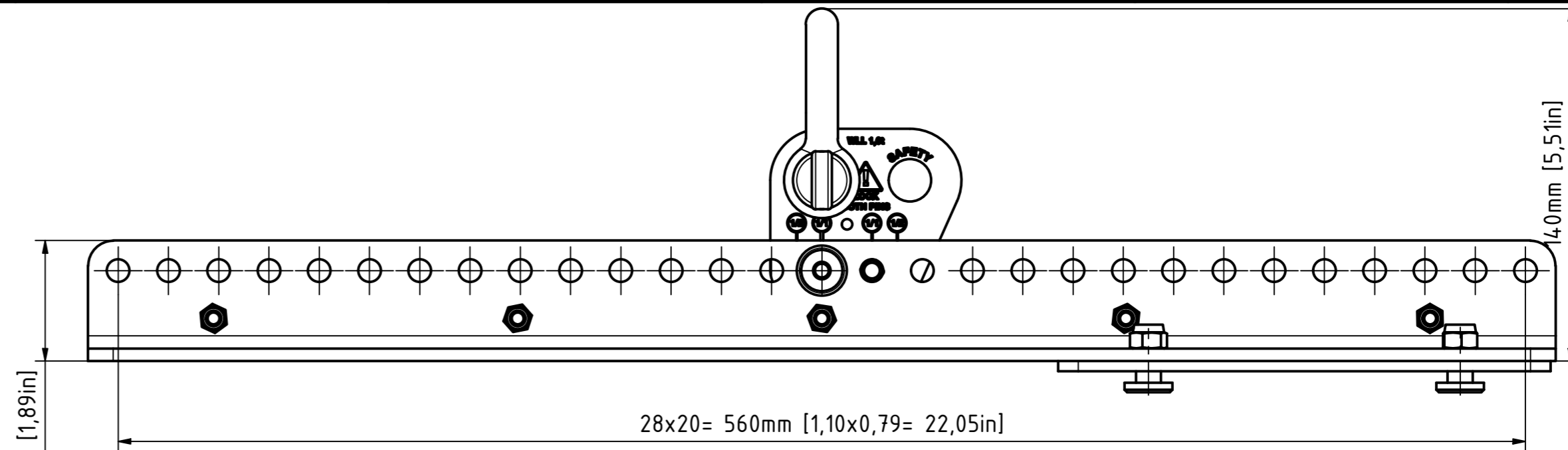
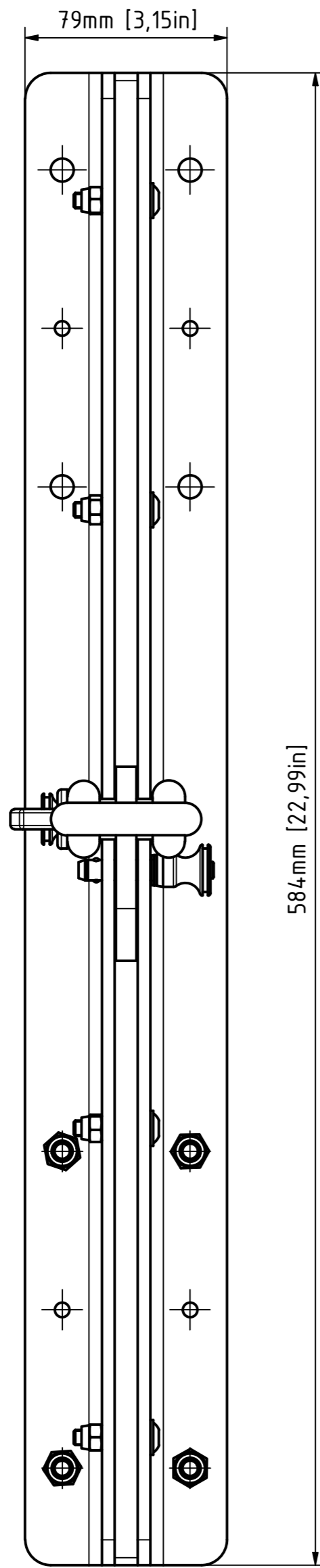


front view



28x20= 560mm [1,10x0,79= 22,05in]

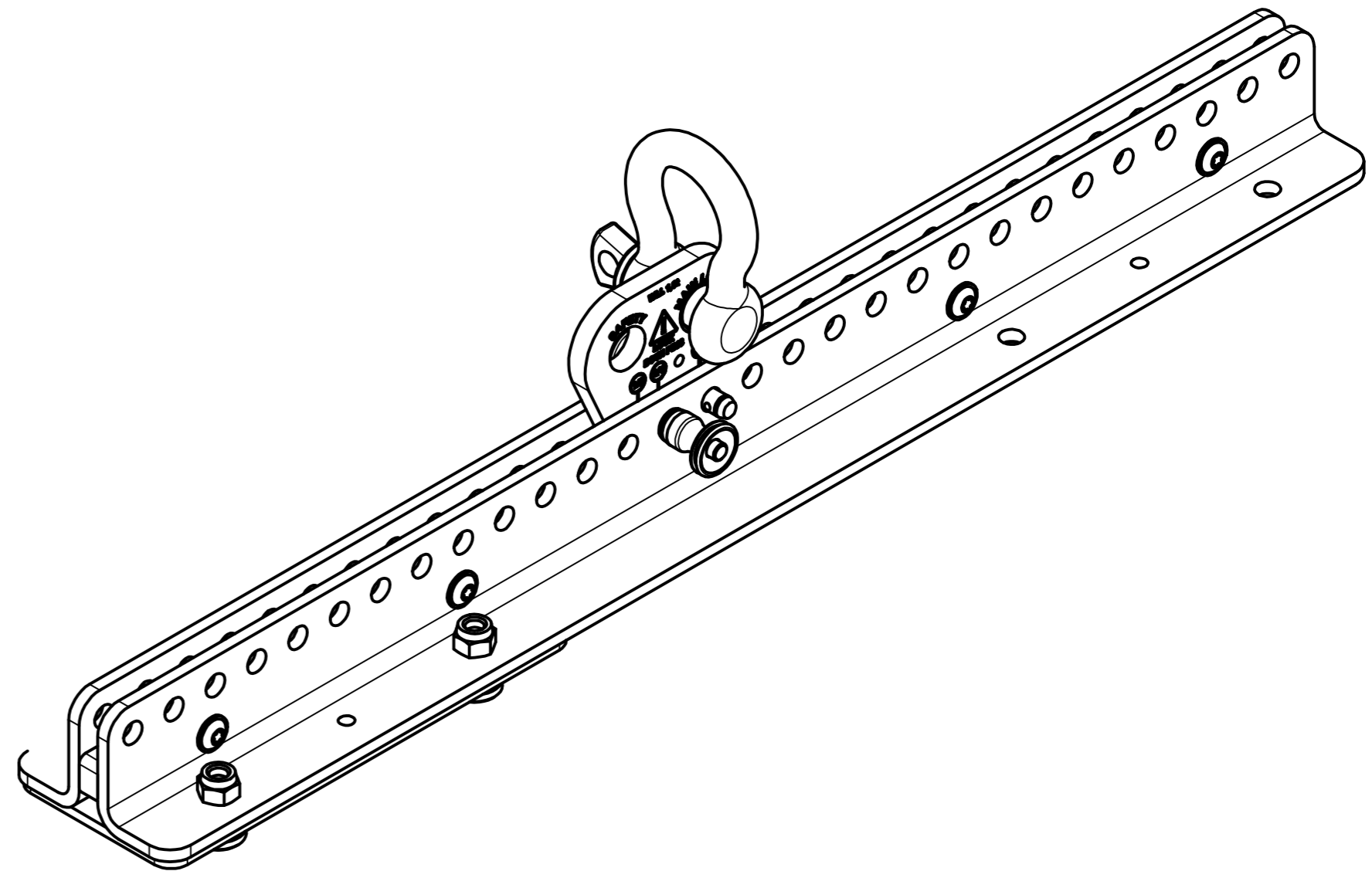
side view



79mm [3,15in]

584mm [22,99in]

top view



1	Address modified	09.12.2021	Heike Konrad
rev. no.	description	date	modified by
<b>revision process</b>			
<b>TWAUDIO</b> Karl-Hofer-Str. 42 14163 Berlin www.twaudio.de		scale: 1:2 weight: 4,6 kg [10,1 lbs]	order number:
All rights to this drawing reserved in accordance with ISO 16016. Copying and distribution by manufacturer's permission only.		status type: <b>released</b>	type: <b>Bumper 150 - BMP150</b>
general tolerance ISO 2768-mK ISO 13920-BF ISO 9013-IIA/K according to ISO 8015	edges according to ISO 13715 surfaces (Ra) array 2 array 3 DIN ISO 1302	date: 26.09.2019 name: Heike Konrad checked: approved: 09.12.2021 Heike Konrad	drawing number: <b>TWA-BMP150-0001</b> revision no: <b>1</b> sheet: <b>1</b> of <b>1</b> Az
<small>C:\CAD_TW_AUDIO\CAD-Daten\Zubehoer\Bumping-ELLAS\BMP150\BMP150.dwg</small>			