

SAFETY INFORMATION

Before you use this TW AUDIO product, read the manual carefully.

Loudspeakers can be checked and stamped according to BGV C1 by official departments. For more information contact TW AUDIO at info@twaudio.com or +49 (0) 71 41 - 48 89 89 0

GENERAL

The B30 is a horn-hybrid bass-reflex subwoofer loudspeaker, equipped with two 15" drivers.

The B30 can be used with 2 or 4 wires speaker cables. V30 is driven from PIN2 (Fig. 4). PIN1 is hardwired in NL4 sockets for easy forwarding the signals (for example: signal for full-range speaker)

B30 as default is available in black colour and warnex structure paint. Any different RAL color can be requested.

B30 is designed to be driven with amplifier equipped in DSP. TW AUDIO offers presets for the Powersoft K-DSP AESOP or LAB PLM system amplifiers. As an external controller for other amps it's recommended to use the LAKE LM26 or LM44.

B30 always requires a dedicated preset loaded on the amplifier/controller. Do never use the B30 without this preset. Always be aware to have the correct preset loaded on your system amplifier before connecting the loudspeaker. Ensure that the internal connections in the amplifier rack are identical to shown on Fig 2.

COMBINATION WITH OTHER PRODUCTS

B30 can be combined with any TW AUDIO product. Many different product combination presets are available (see FIG 1 for more details) Be sure about proper time alignment.

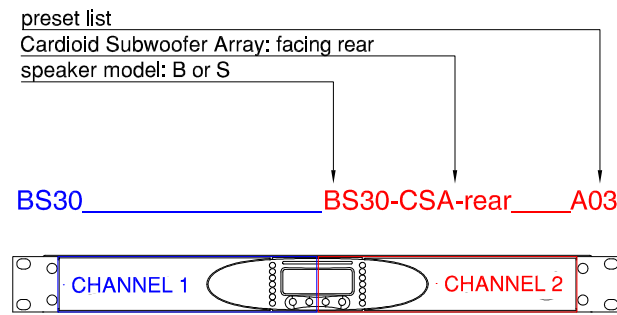
B30 can only be groundstacked. There is no hardware allows to fly this subwoofer. There is second enclosure variant S30 which let you do that, search for S30 on www.twaudio.de website.

Please see system examples papers on www.twaudio.com for system combinations and setup examples.

If you have any questions about your product don't hesitate to contact TW AUDIO on support@twaudio.com or by phone +49 (0) 71 41 - 48 89 89 56

B18		
Frequency range	[Hz]	35 - 200
Power pgm/peak	[W]	2000 / 4000
Impedance	[Ohm]	8
Dispersion pattern		standard or cardioid by CSA
Sensitivity	[dB]	98
max SPL	[dB]	133
Dimensions	[mm]	706x446x800
Weight	[kg]	39

FIG 1. PRESETS / REFERED TO PRESETLIST A03



PRESET NAME	
CHANNEL 1	CHANNEL 2
BS30	
BS30	BS30 _____ A03
BS30	BS30-CSA-rear _____ A03
BS30	M8-cut _____ A03
BS30	M10-cut _____ A03
BS30	M12-cut _____ A03
BS30	M15-cut _____ A03
BS30	C12-cut _____ A03
BS30	C15-cut _____ A03

FIG 2. APL4-K AMPLIFIER RACK

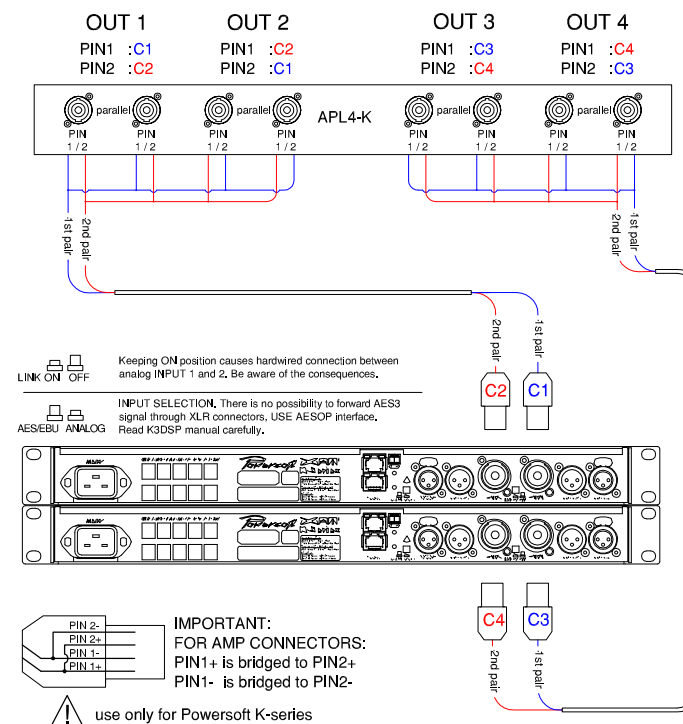


FIG 4. INTERNAL WIRING DIAGRAM

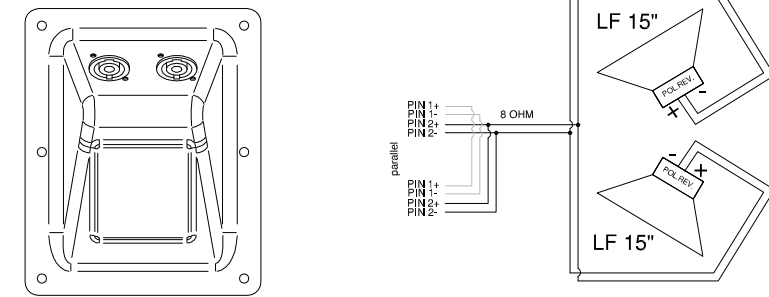
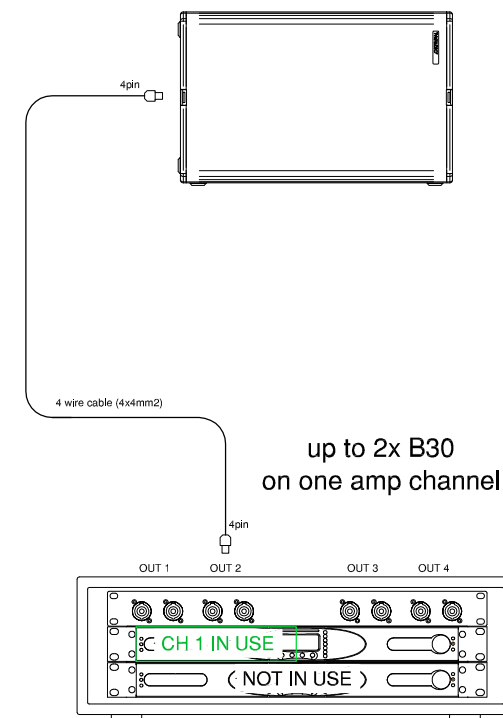
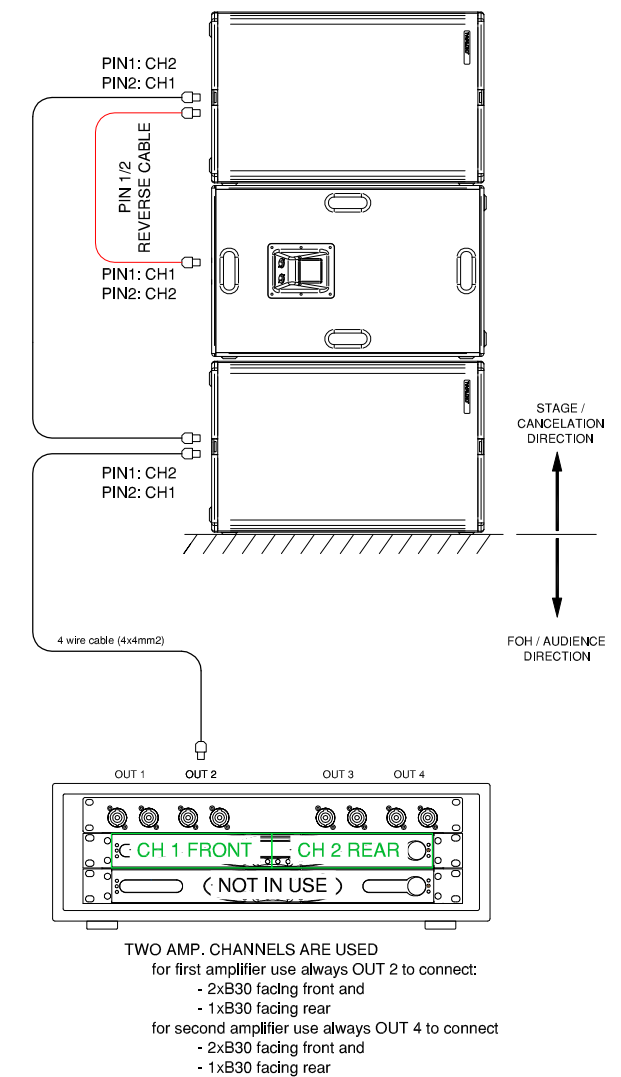


FIG 5. B30 - CONNECTION TO AMPLIFIER SYSTEM



ONE AMP. CHANNEL IS USED because B30 is driven from PIN2 for first amplifier, first channel use OUT 2 for first amplifier, second channel use OUT 1

FIG 6. B30 - CSA CONNECTION FRONT VIEW



***NOTE:**

- for long term high SPL requirements drive two B30s on one POWERSOFT K3DSP (4 OHM operation)
- for lower SPL requirements, it is possible to drive 3 to 4 boxes on POWERSOFT K3DSP(2,6 / 2 OHM operation)