



The TWAUDIO B21 subwoofer will elevate your audio experience by adding a detailed reproduction of the lowest frequencies! It is a perfect solution for the high demands of today's listening habits in live and electronic music. Its superior design, flexible integration and precise low-end performance guarantee an impressive bass reproduction that captivates every audience, from small venues to larger stages meeting various applications.

The custom developed 21" driver in a compact enclosure with advanced port design, tuned to 30Hz, delivers lowest frequencies with maximum precision and minimal distortion. Whether you're enhancing the depth of electronic music or to live performances, the B21 ensures powerful and controlled low-end performance every time.

The B21 seamlessly integrates into setups with our renowned B30 and T24N, as an addition to the legendary PA-SYS-ONE, giving the users flexibility in vertical or horizontal configurations. It complements small to medium PA setups, bringing forth the thunderous low-end electronic music demands. In mixed subarrays, the B21 adds significant extended lows while still being punchy. Directional B21 clusters provide a wide-band cancellation at the back with more than 17 dB SPL reduction. As a stand-alone subwoofer, combined with tops like the T24N or M15, it forms a compact system with high output and breathtaking low-end performance.

## Key Features

- » Custom-developed 21" driver for precise reproduction of very low frequencies
- » Advanced port design for maximum precision with minimal distortion
- » Stackable both horizontally and vertically for flexible configurations with other TWAUDIO products
- » Optimized presets for directional subwoofer clusters with wide-band cancellation (>17 dB) at the back
- » Stand-alone subwoofer or low-frequency extension in mixed subarrays
- » Coherent phase response with all TWAUDIO loudspeakers
- » Operation with dedicated TWAUDIO presets on Powersoft or Dynacord TGX and IPX amplifiers

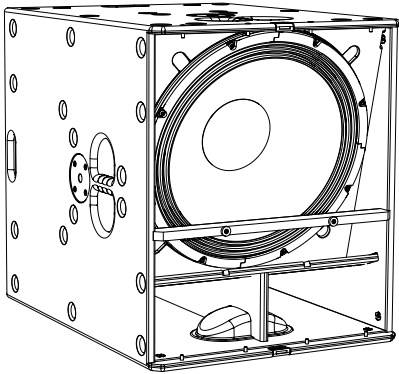
## Applications

- » Concerts and touring
- » Clubs
- » Cinemas and Immersive installations
- » Theatres and cultural places
- » Bars and restaurants
- » Arenas and sports venues
- » Galas, events and shows
- » Churches, houses of worship, religious places

# B21

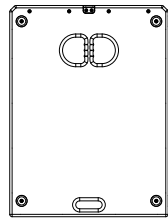
## DATASHEET

### Technical Data

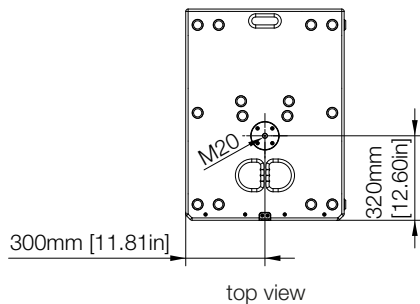
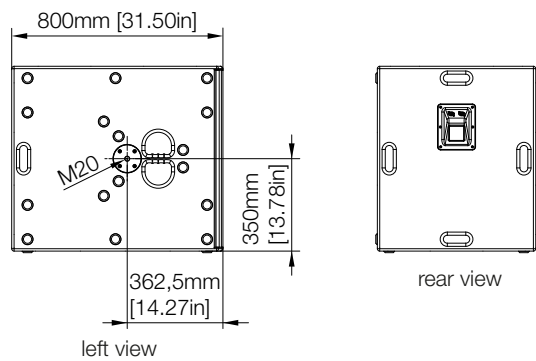
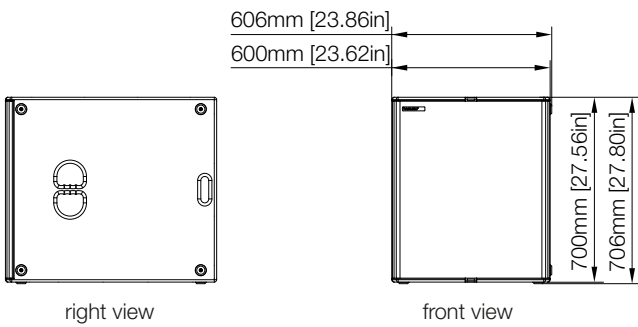


Drivers	1×21" LF
Frequency range	27 - 125Hz
Power capacity program/peak	3600/7200W
Impedance	8Ω
Sensitivity 1W/1 m	98 dB
SPLmax / 1 m	137 dB
Connection	speakON® NL4 2±
Dimensions (H × W × D)	706 × 606 × 800mm   27.8×23.8×31.5in
Weight	54.5 kg   120.2 lbs
Finish	Warnex textured paint (Polyurea coated)
Accessories	see twaudio.com

### Technical Drawing

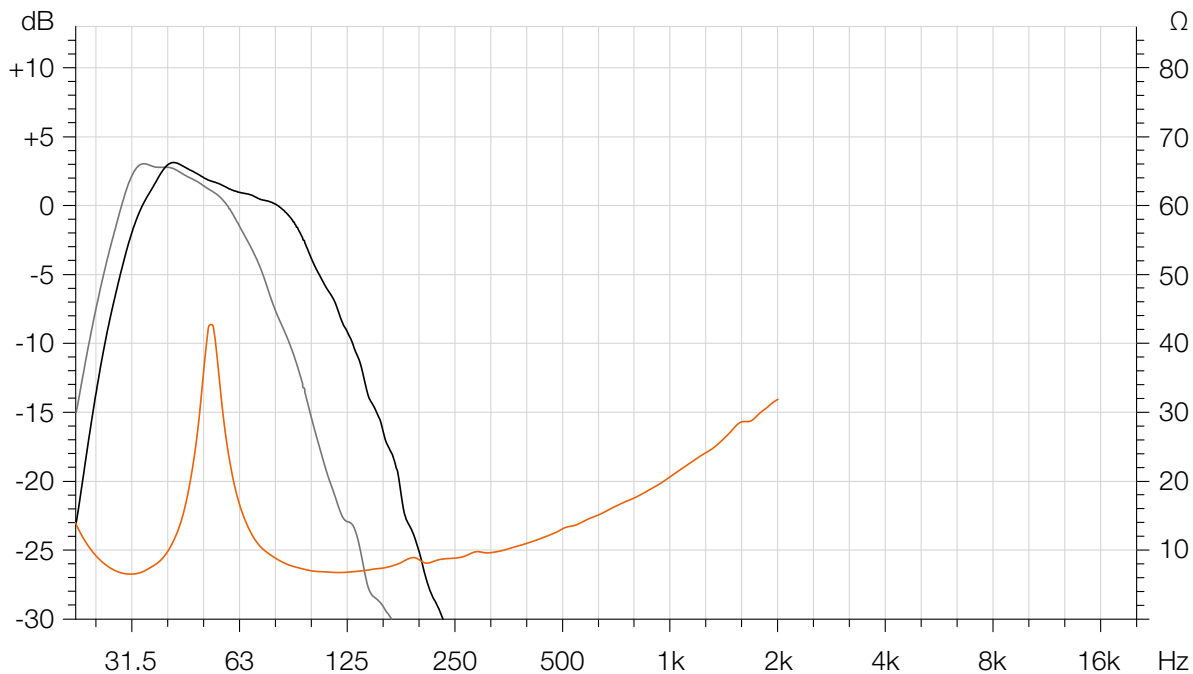


bottom view



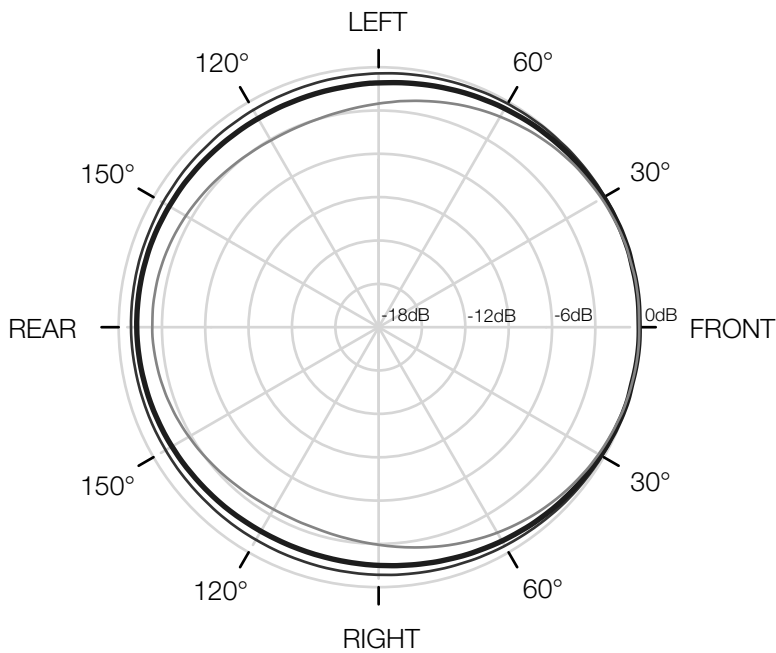
## Frequency Response

Extended Low Frequency | **FULL** mode | IMPEDANCE



## Polar Pattern

40Hz | 63Hz | 100Hz



## Architect Specifications

The loudspeaker shall consist of a direct radiating bass reflex enclosure driven and protected by a dedicated powered amplified controller. The loudspeaker shall be an omnidirectional subwoofer.

The enclosure shall feature one 21" long excursion neodymium LF transducers.

The usable system bandwidth shall be 27Hz to 125Hz.

Maximum peak SPL shall be 137 dB. The long-term handling capacity shall be 3600W program and 7200W peak. The nominal impedance of the loudspeaker shall be 8Ω.

The enclosure cabinet construction shall consist of first grade birch plywood. The front of the enclosure shall be protected by a perforated, powder-coated steel, covered with a flame retardant, hydrophobic and acoustically transparent black 3D mesh fabric. The dimensions shall be 606mm (23.85in) in width, 706mm (27.80in) in height and 800mm (31.50in) in depth and the enclosure weight shall be 54.5kg (120.2lbs).

The enclosure shall feature four integrated ergonomic handles and four carrying handles, eight stacking rubber feet and two M20 pole mount to adopt a distance rod when used with a top loudspeaker. The enclosure shall be connected via two parallel 4-pole speakON® sockets.

The loudspeaker shall be the TWAUDIO B21.

### References

The response curves of the system are available upon request – support@twaudio.com

Manufacturer:  
TWAMBO GmbH  
Karl-Hofer-Str. 42  
14163 Berlin, Germany



TWAUDIO®

TWAMBO GmbH  
Karl-Hofer-Str. 42  
14163 Berlin  
Germany

Phone: +49 7141 488989-0  
Fax: +49 7141 488989-99  
Mail: info@twaudio.com