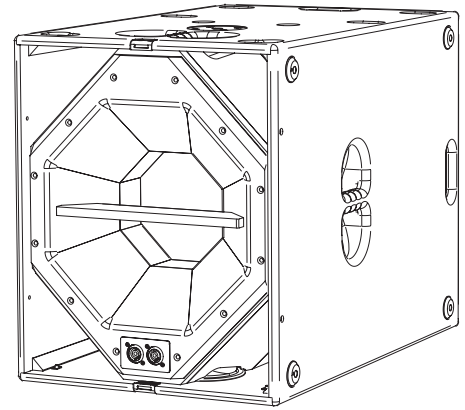


The B18 is a compact subwoofer in a symmetrically vented enclosure, equipped with one 18" long excursion driver.

Combining tight control with a remarkably deep and distinctive rumble, the B18 features a symmetrical band pass design that delivers a consistent performance regardless whether vertical or horizontal, stacked vertically or side by side. This includes the creation of directional sub arrays with partly reversed subwoofers.

Facilitating the easy and inconspicuous wiring of directional bass clusters, the B18 even offers two additional speakON™ connectors on its front grille.

For flown applications there is the VERA S18 available, which is acoustically identical with the B18. With its integrated rigging tracks it is designed to build flown columns, including the possibility of directional dispersion arrays with individual subs reversed by 180 degrees.



## Key Features

- » Subwoofer with compact, symmetric bandpass design.
- » 18" long excursion chassis with 4" voice coil and 2400W program power capacity.
- » Eight ergonomically designed carrying handles for easy handling.
- » 2 × speakON™ connectors on the back side plus 2 × speakON™ connectors on the front grille.
- » Coherent phase response with all TWAUDIO products.
- » Operation with dedicated TWAUDIO presets on Lab.gruppen or Powersoft series.

## Applications

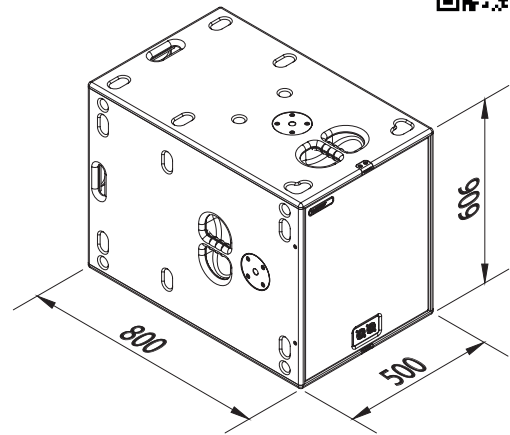
- » Standalone (omni) or in cardioid stacks
- » Clubs and discotheques
- » Churches, houses of worship, religious places
- » Theatres and cultural places
- » Bars and restaurants

TWAUDIO GmbH  
Osterholzallee 140-1  
71636 Ludwigsburg  
Germany

Tel.: +49 7141 488989-0  
Fax: +49 7141 488989-99  
Mail: info@twaudio.com

## Technical Data

Drivers	1 × 18" LF
Frequency range	32 - 160 Hz
Power capacity program/peak	2400 / 4800 W
Impedance	8 Ω
Coverage	omni
Sensitivity 1 W / 1 m	96 dB
SPL max / 1 m	132 dB
Connection	SpeakON™ NL4 2± (rear)   NL4 1± (front)
Dimensions (H × W × D)	606 × 500 × 800 mm   23.9 × 19.7 × 31.5"
Weight	42.6 kg   93.9 lbs
Finish	Warnex texture paint, RAL colors optional
Accessories	FDB18, QDB18, CoverB18



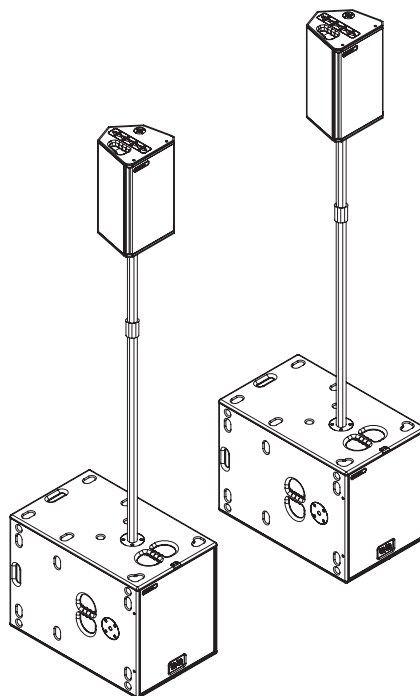
## System Proposals

PRESETS AVAILABLE FOR



**PA-SYS-CLUB**  
4 AMPLIFIER CHANNELS

2 × M10  
2 × B18  
2 × DISST



**CARDIOID SUB ARRAY**  
2 AMPLIFIER CHANNELS

3 × B18

