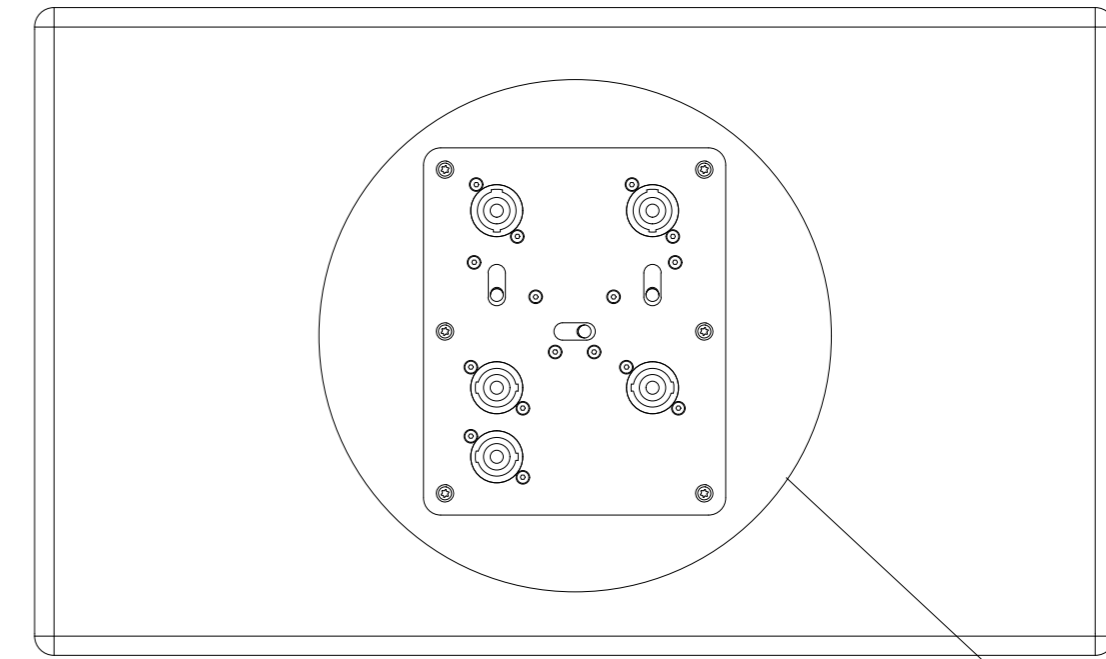
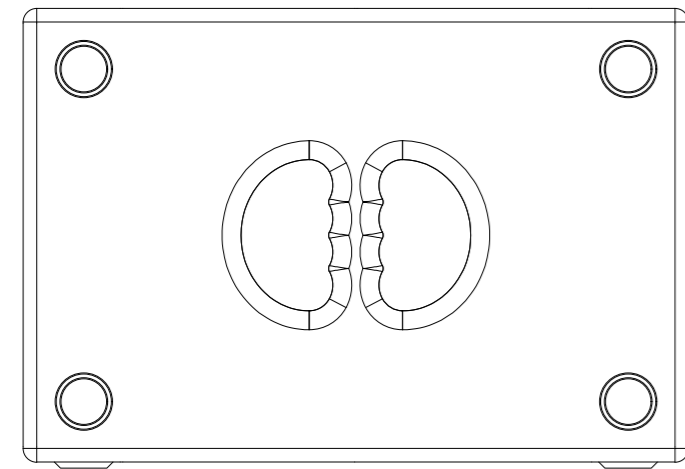


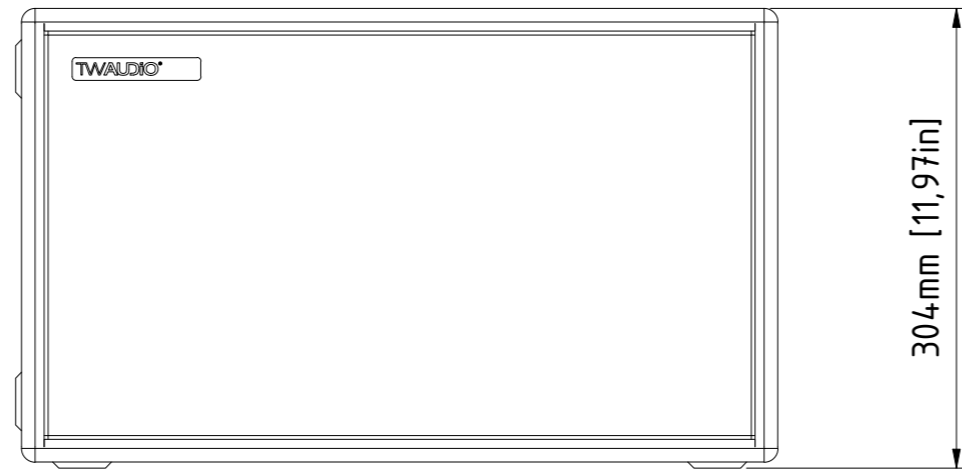
bottom view



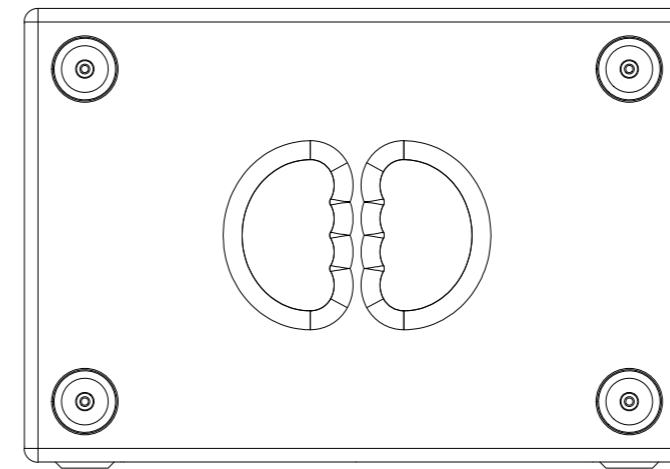
Option passiv x-over PWB10



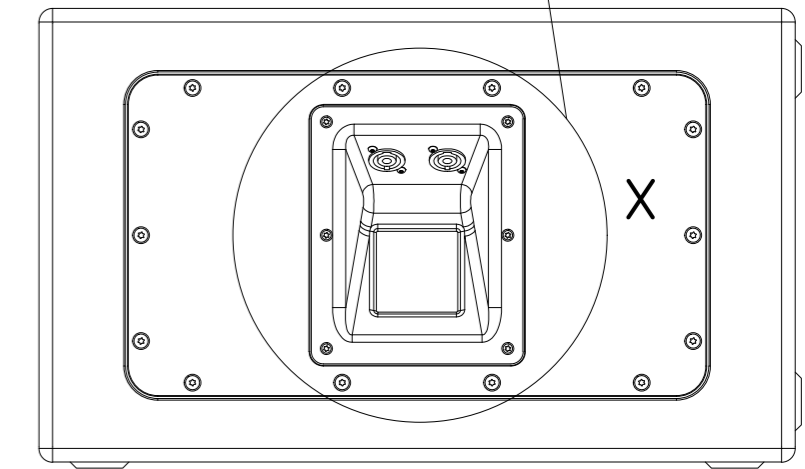
right view



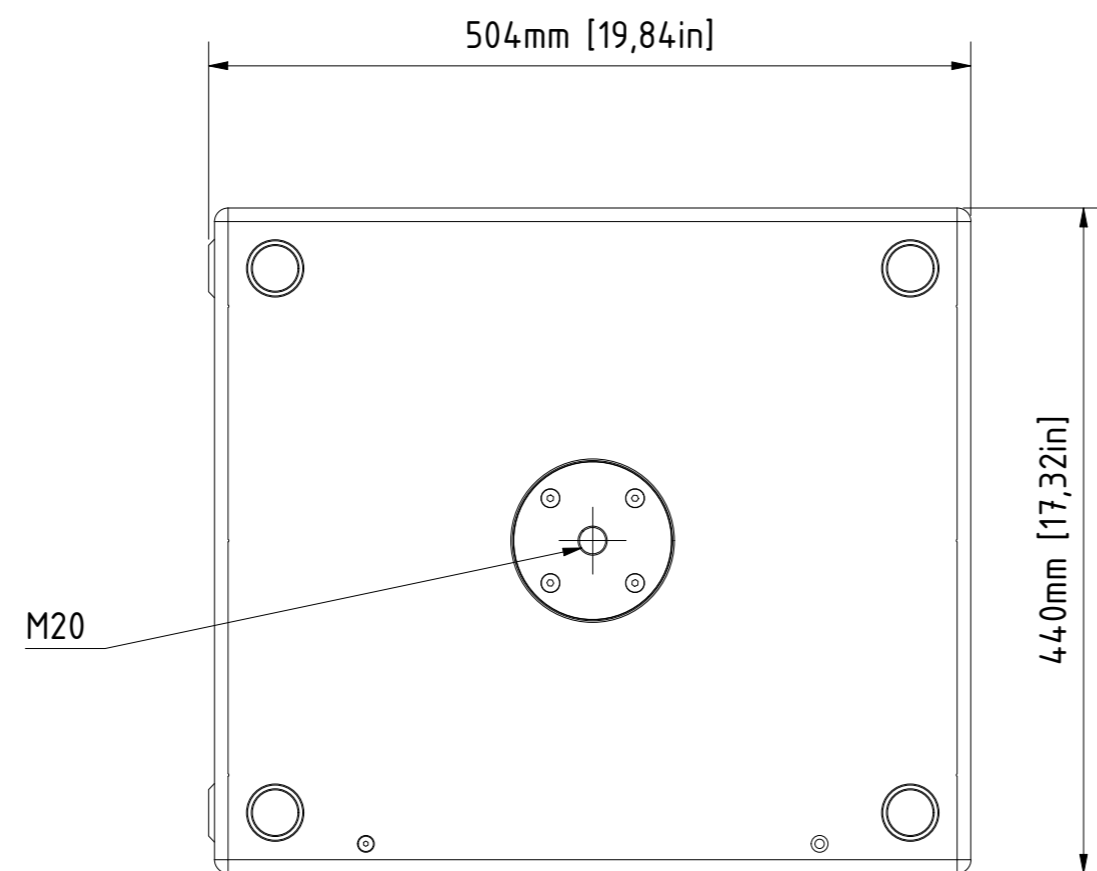
top view



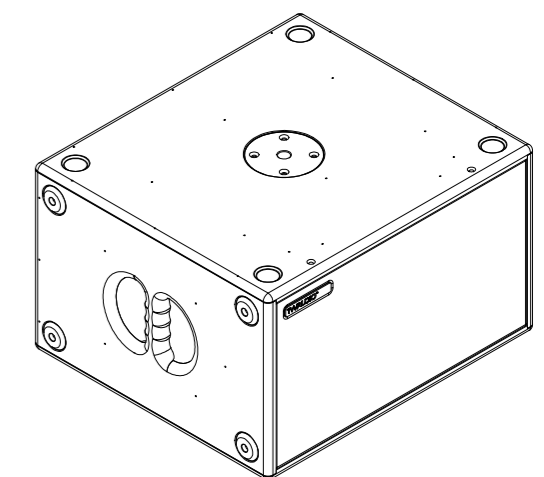
left view



rear view



top view



rev. no.	description		03.05.2019	Heike Konrad
			date	modified by
revision process				
TWAUDIO Osterholzallee 140-2 71636 Ludwigsburg www.twaudio.de		scale:		
All rights to this drawing reserved in accordance with ISO 16016. Copying and distribution by manufacturer's permission only.		weight:	17 kg [38 lbs]	
general tolerance ISO 2768-mK ISO 13920-BF ISO 9013-IIA/K according to ISO 8015		document type:	Overview Drawing	
edges according to ISO 13715 surfaces (Ra) array 2 array 3 DIN ISO 1302		status type:	released	
		order number:	2666	
		type:	B10	
		date	name	
		10.02.2015	B. Letzgun	
		date	name	
		04.03.2015	B. Letzgun	
		checked:		
		approved:	03.05.2019 Heike Konrad	
		drawing number:	TWA-B10-0001	
		revision no.:	sheet: 1	
			Az	